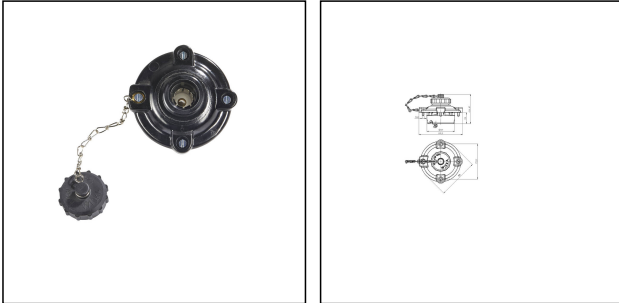


DK 503/FS

Concentric socket



Products may differ in size, colour and appearance to those shown. If you require further information or customisation, please contact us directly.

WISKA-Order no.	10010004
Type	DK 503/FS
Type of Voltage	DC
Current	10 A
Protection class	IP56
Material	Urea moulding compound
Socket insert	concentric
Terminals/poles	2-pole
Temp. range min	-25 °C
Temp. range max	40 °C
Weight	0,17 kg
Colour	Black
Advice	Installation depth 35mm
Mounting	Recessed mounting
Tariff number	85366990

Recommended accessories

117-1xW10A	10010001
-------------------	----------

Spare parts

SP-133 Concentric socket interior	22000379
--	----------

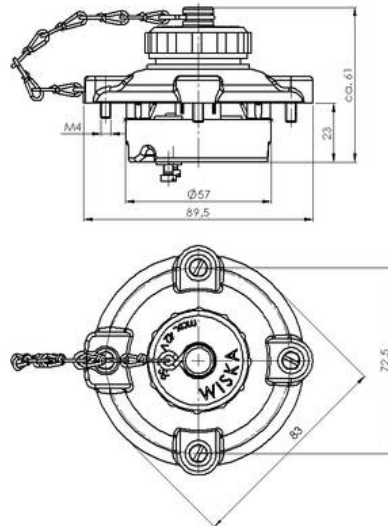
23.05.2026

Your Contact:

WISKA India Pvt. Ltd.

Mr. Omkar Ashar · Unit No.247/248,Raheja Tesla Industrial District II , Edison Bldg No.-1A,
Plot No.GEN2/1/C/PART, TTC Industrial Area, MIDC, Juinagar, Navi Mumbai 400705, India

☎ +91-22-4967-1438 · ☎ +91-22-4967-1439 · o.ashar@wiska.in · www.wiska.in



Your Contact:

WISKA India Pvt. Ltd.

Mr. Omkar Ashar · Unit No.247/248,Raheja Tesla Industrial District II , Edison Bldg No.-1A,
Plot No.GEN2/1/C/PART, TTC Industrial Area, MIDC, Juinagar, Navi Mumbai 400705, India

☎ +91-22-4967-1438 · ☎ +91-22-4967-1439 · o.ashar@wiska.in · www.wiska.in