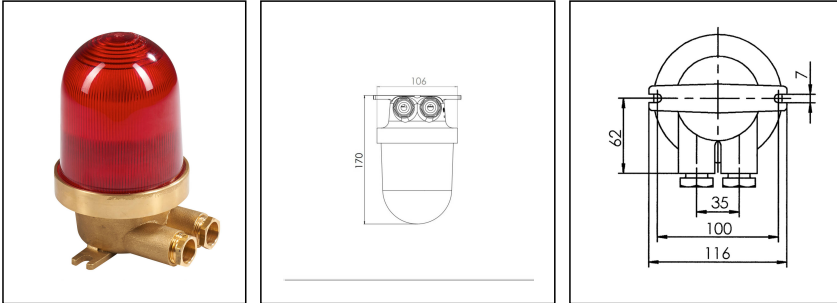


**1131/2/CR/rd/oT/1974-2xZ14**

HNA standard light max. 60W E27, brass, cover red without dropehole, IP56



Products may differ in size, colour and appearance to those shown. If you require further information or customisation, please contact us directly.



<b>WISKA-Order no.</b>	10010385
<b>Type</b>	1131/2/CR/rd/oT/1974-2xZ14
<b>Material</b>	Brass
<b>Material globe/diffuser</b>	Polycarbonate
<b>Globe colour</b>	Red
<b>Power^</b>	1 x 60 W
<b>Wattage</b>	60 W
<b>Voltage</b>	230 V
<b>Type of Voltage</b>	AC
<b>Protection class</b>	IP56
<b>Temp. range min</b>	-25 °C
<b>Temp. range max</b>	45 °C
<b>Lampholder</b>	E27
<b>Number of lampholder</b>	1 ST
<b>Lightsource</b>	variable (E27)
<b>Lightsource incl.</b>	No
<b>Bulb shape</b>	Rod shaped
<b>Type of cable gland</b>	M24x1,5 Z 14 / 12-14,5mm
<b>Material cable gland</b>	Brass
<b>Using for cable gland</b>	
<b>Type of cable</b>	armoured
<b>Ø cable diameter min</b>	12 mm
<b>Ø cable diameter max</b>	14,5 mm
<b>Mounting</b>	Surface mounting, Ceiling, Upside down
<b>Equipment</b>	without drope hole

Your Contact:

WISKA India Pvt. Ltd.

Mr. Omkar Ashar · Unit No.247/248,Raheja Tesla Industrial District II , Edison Bldg No.-1A,  
Plot No.GEN2/1/C/PART, TTC Industrial Area, MIDC, Juinagar, Navi Mumbai 400705, India

☎ +91-22-4967-1438 · ☎ +91-22-4967-1439 · o.ashar@wiska.in · www.wiska.in

<b>External dimensions LxWxH</b>	170x116mm
<b>Weight</b>	1,06 kg
<b>Approval</b>	DNV-GL, RMRS

#### Recommended accessories

<b>SP-1112 Wall bracket 12mm</b>	22000350
<b>SP-Vibration damper light 1131</b>	22000913

#### Spare parts

<b>SP-1931/CR/oT/red</b>	22000189
<b>SP-1131 Gasket</b>	22000863
<b>SP-1974 Lampholder E27, PPS, HNA</b>	22001018

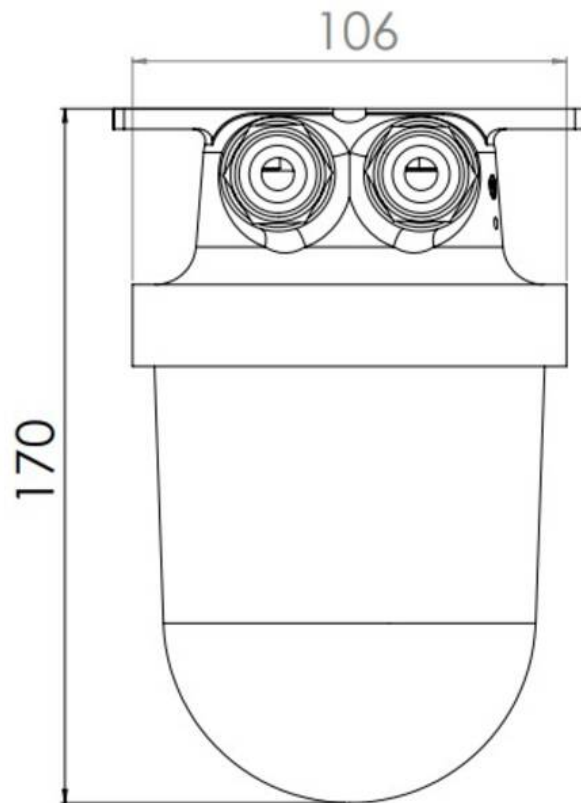
17.06.2026

Your Contact:

**WISKA India Pvt. Ltd.**

Mr. Omkar Ashar · Unit No.247/248,Raheja Tesla Industrial District II , Edison Bldg No.-1A,  
Plot No.GEN2/1/C/PART, TTC Industrial Area, MIDC, Juinagar, Navi Mumbai 400705, India

☎ +91-22-4967-1438 · ☎ +91-22-4967-1439 · o.ashar@wiska.in · www.wiska.in

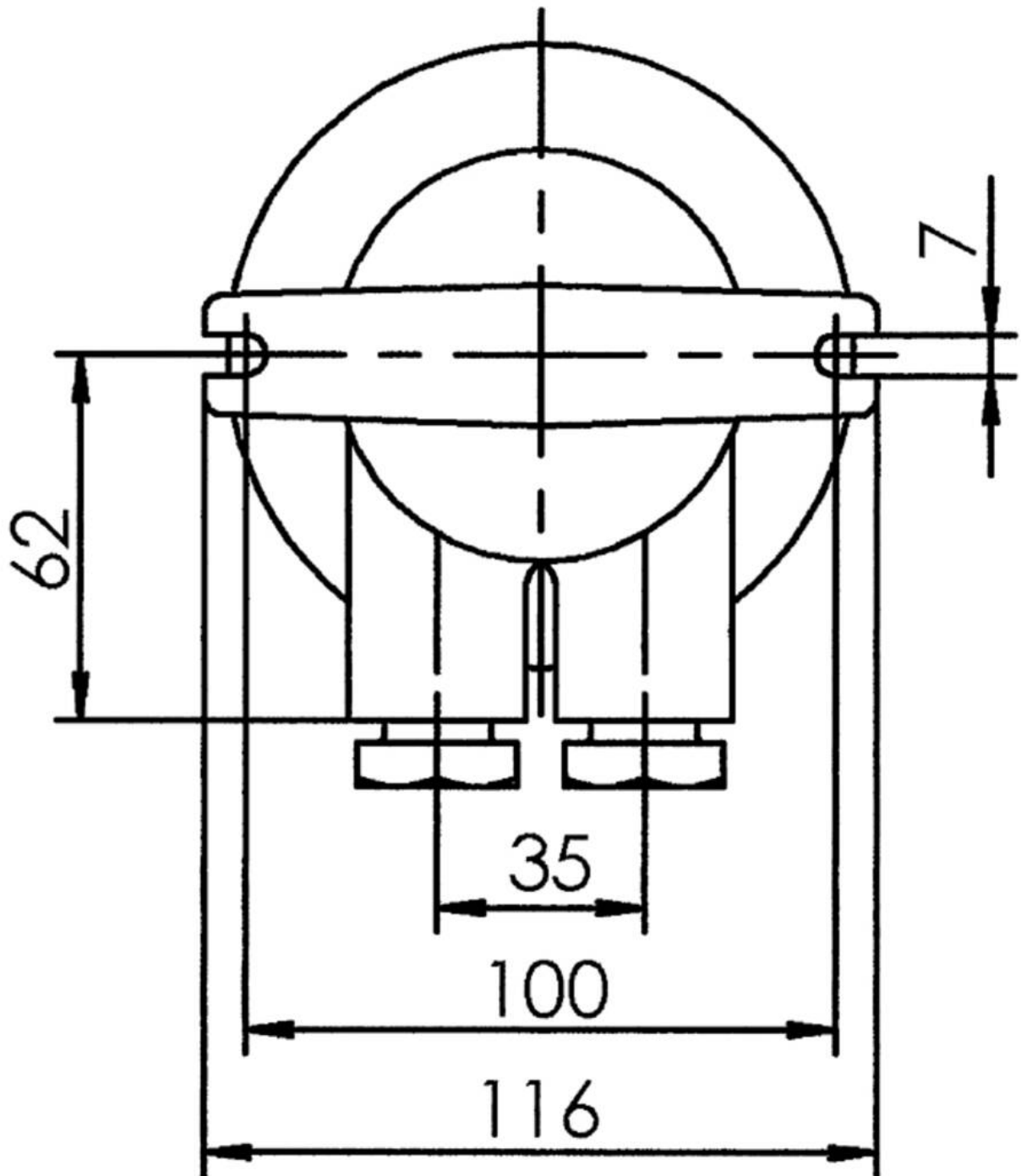


Your Contact:

**WISKA India Pvt. Ltd.**

Mr. Omkar Ashar · Unit No.247/248,Raheja Tesla Industrial District II , Edison Bldg No.-1A,  
Plot No.GEN2/1/C/PART, TTC Industrial Area, MIDC, Juinagar, Navi Mumbai 400705, India

☎ +91-22-4967-1438 · ☎ +91-22-4967-1439 · o.ashar@wiska.in · www.wiska.in



Your Contact:

**WISKA India Pvt. Ltd.**

Mr. Omkar Ashar · Unit No.247/248, Raheja Tesla Industrial District II , Edison Bldg No.-1A,  
Plot No.GEN2/1/C/PART, TTC Industrial Area, MIDC, Juinagar, Navi Mumbai 400705, India

☎ +91-22-4967-1438 · ☎ +91-22-4967-1439 · o.ashar@wiska.in · www.wiska.in

Other technical data on request / subject to change without notice