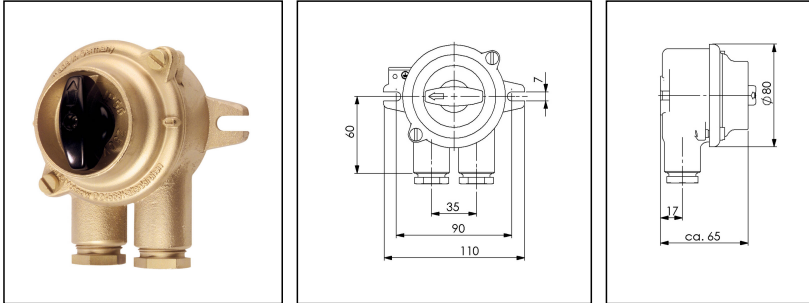


**1133/2/We/10A-2xZ14**

HNA Switch 10A, brass, IP56



Products may differ in size, colour and appearance to those shown. If you require further information or customisation, please contact us directly.

<b>WISKA-Order no.</b>	10010542
<b>Type</b>	1133/2/We/10A-2xZ14
<b>Voltage</b>	250 V
<b>Current</b>	10 A
<b>Protection class</b>	IP56
<b>Material</b>	Brass
<b>Using for cable gland</b>	
<b>Type of cable gland</b>	M 24 x 1,5
<b>Ø cable diameter min</b>	12 mm
<b>Ø cable diameter max</b>	14,5 mm
<b>Type of cable</b>	armoured
<b>Mounting</b>	Surface mounting
<b>Temp. range min</b>	-25 °C
<b>Temp. range max</b>	45 °C
<b>Type of switch</b>	Change-over, 1-pole
<b>Norm</b>	DIN 89270
<b>Colour</b>	Black
<b>Weight</b>	0,97 kg
<b>Variations</b>	on request
<b>Tariff number</b>	85363010

**Spare parts**

<b>SP-1843 Change-over switch 6/1, 1-pol.</b>	22000356
---	----------

Your Contact:

WISKA India Pvt. Ltd.

Mr. Omkar Ashar · Unit No.247/248,Raheja Tesla Industrial District II , Edison Bldg No.-1A,  
Plot No.GEN2/1/C/PART, TTC Industrial Area, MIDC, Juinagar, Navi Mumbai 400705, India

☎ +91-22-4967-1438 · ☎ +91-22-4967-1439 · o.ashar@wiska.in · www.wiska.in

SP-HNA Knob 1842 - 1845

22000639

SP-HNA Cover sealing

22000838

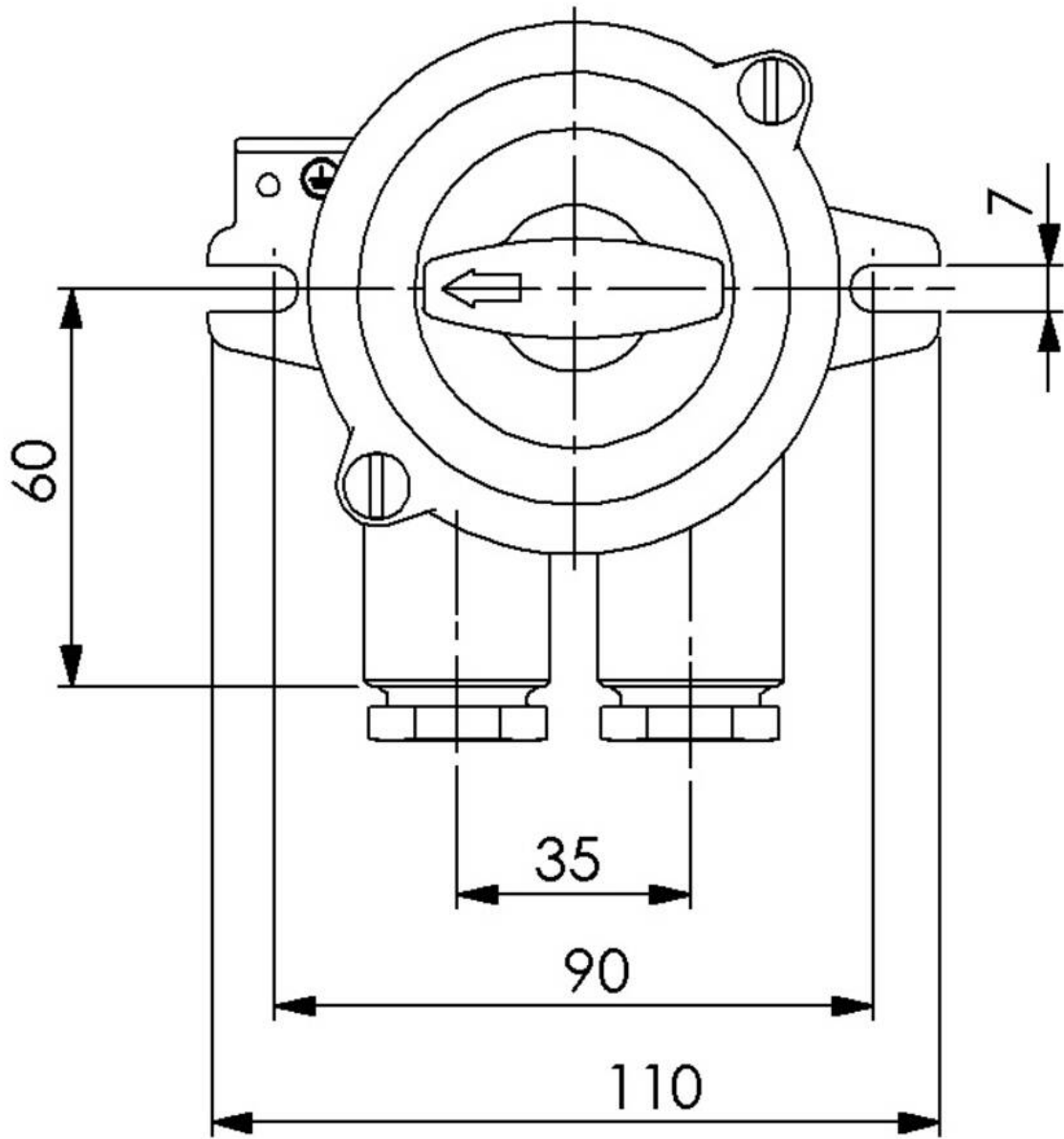
23.05.2026

Your Contact:

**WISKA India Pvt. Ltd.**

Mr. Omkar Ashar · Unit No.247/248,Raheja Tesla Industrial District II , Edison Bldg No.-1A,  
Plot No.GEN2/1/C/PART, TTC Industrial Area, MIDC, Juinagar, Navi Mumbai 400705, India

☎ +91-22-4967-1438 · ☎ +91-22-4967-1439 · o.ashar@wiska.in · www.wiska.in



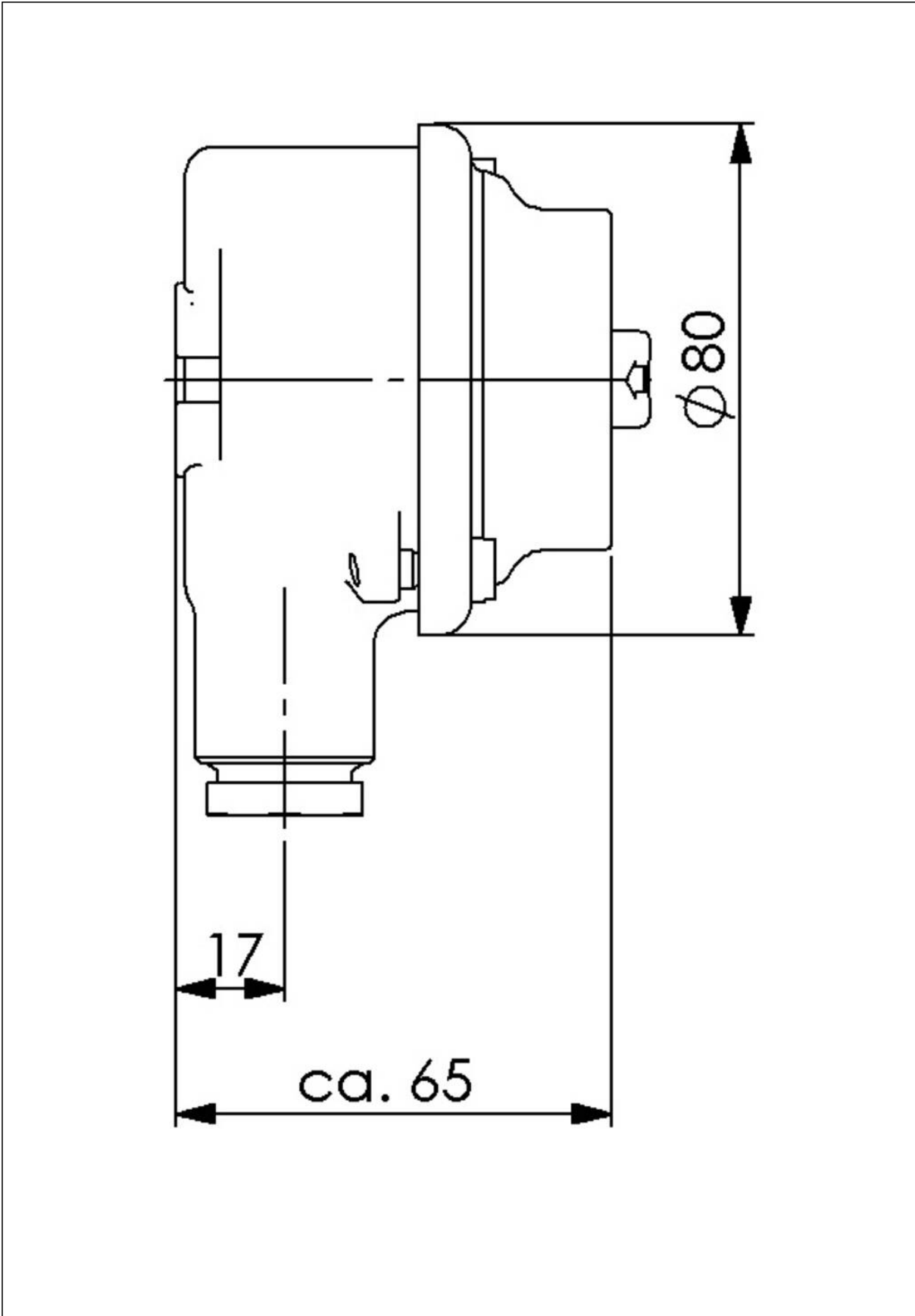
Your Contact:

**WISKA India Pvt. Ltd.**

Mr. Omkar Ashar · Unit No.247/248,Raheja Tesla Industrial District II , Edison Bldg No.-1A,  
Plot No.GEN2/1/C/PART, TTC Industrial Area, MIDC, Juinagar, Navi Mumbai 400705, India

☎ +91-22-4967-1438 · ☎ +91-22-4967-1439 · o.ashar@wiska.in · www.wiska.in

Other technical data on request / subject to change without notice



Your Contact:

**WISKA India Pvt. Ltd.**

Mr. Omkar Ashar · Unit No.247/248,Raheja Tesla Industrial District II , Edison Bldg No.-1A,  
Plot No.GEN2/1/C/PART, TTC Industrial Area, MIDC, Juinagar, Navi Mumbai 400705, India

☎ +91-22-4967-1438 · ☎ +91-22-4967-1439 · o.ashar@wiska.in · www.wiska.in