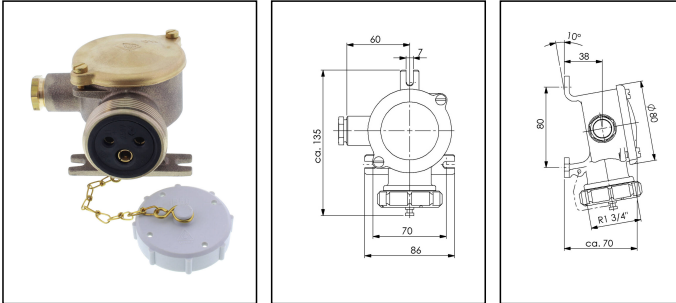
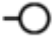


## 1141/150V-1xZ14

HNA-Socket DIN 89262 150V, brass, IP56



Products may differ in size, colour and appearance to those shown. If you require further information or customisation, please contact us directly.

<b>WISKA-Order no.</b>	10010586
<b>Type</b>	1141/150V-1xZ14
<b>Voltage max. (V)</b>	150 V
<b>Type of Voltage</b>	AC
<b>Current</b>	16 A
<b>Protection class</b>	IP56
<b>Material</b>	Brass
<b>Material protective cap</b>	Polyamide
<b>Using for cable gland</b>	
<b>Type of cable gland</b>	M 24 x 1,5
<b>Ø cable diameter min</b>	12 mm
<b>Ø cable diameter max</b>	14,5 mm
<b>Type of cable</b>	armoured
<b>External dimensions LxWxH</b>	135x86x70mm
<b>Socket insert</b>	HNA
<b>Terminals/poles</b>	2-pole + E
<b>Temp. range min</b>	-25 °C
<b>Temp. range max</b>	40 °C
<b>Norm</b>	DIN 89262
<b>Weight</b>	1,02 kg
<b>Mounting</b>	Surface mounting
<b>Variations</b>	on request
<b>Tariff number</b>	85366990

Your Contact:

WISKA India Pvt. Ltd.

Mr. Omkar Ashar · Unit No.247/248,Raheja Tesla Industrial District II , Edison Bldg No.-1A,  
Plot No.GEN2/1/C/PART, TTC Industrial Area, MIDC, Juinagar, Navi Mumbai 400705, India

☎ +91-22-4967-1438 · ☎ +91-22-4967-1439 · o.ashar@wiska.in · www.wiska.in

## Recommended accessories

<b>1142/FS/150V-1xW10</b>	10010680
<b>1142/MS/150V-1xW10</b>	10010681

## Spare parts

<b>SP-181/2 Terminal block</b>	22000349
<b>SP-SK/FS-HNA Screw cap</b>	22000376
<b>SP-138/150V Socket interior</b>	22000627
<b>SP-HNA Cover sealing</b>	22000838
<b>SP-HNA Gasket</b>	22000860
<b>SP-GR/HNA/FS R 1 3/8" Ring nut clear</b>	22000868

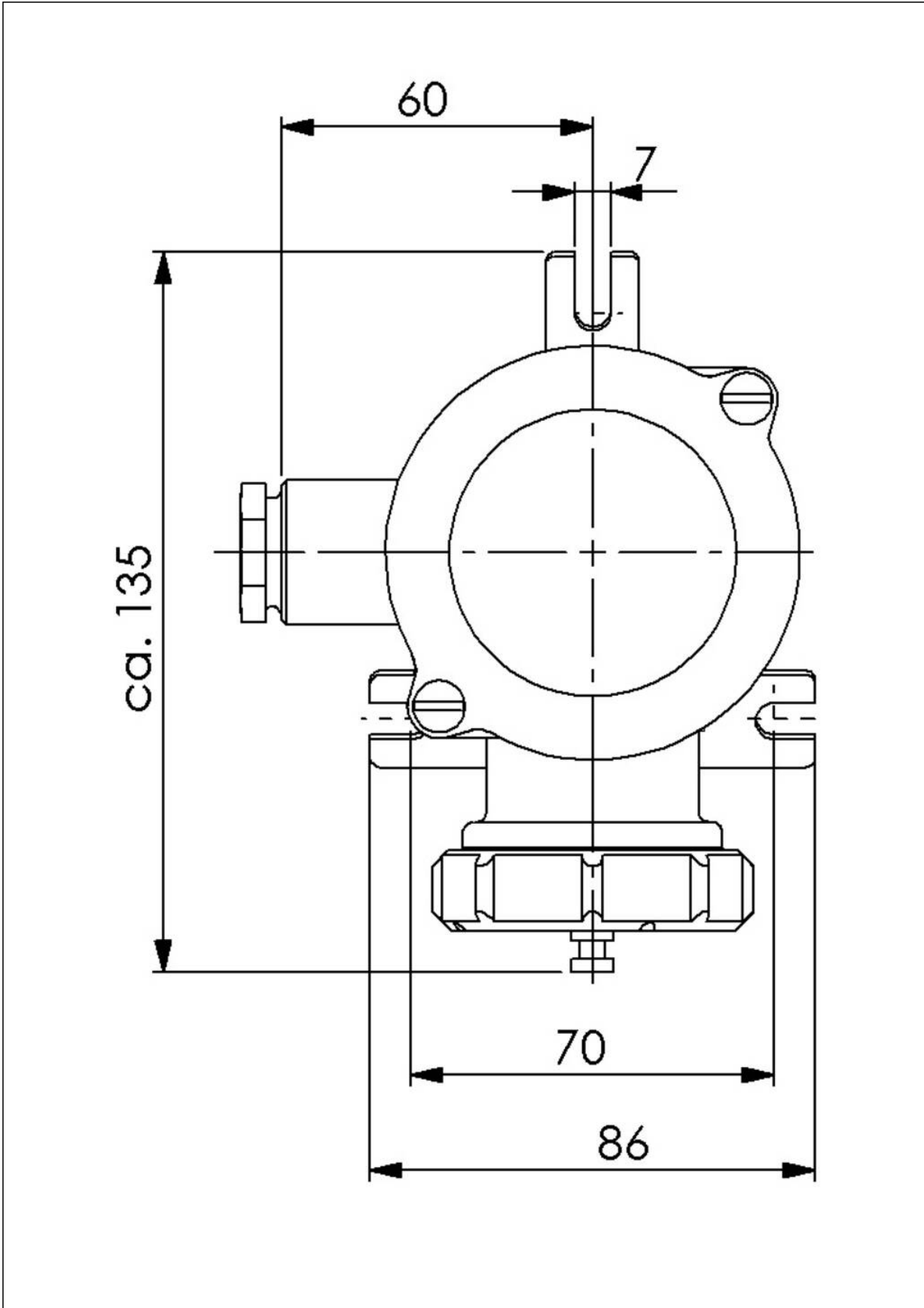
12.05.2026

Your Contact:

**WISKA India Pvt. Ltd.**

Mr. Omkar Ashar · Unit No.247/248,Raheja Tesla Industrial District II , Edison Bldg No.-1A,  
Plot No.GEN2/1/C/PART, TTC Industrial Area, MIDC, Juinagar, Navi Mumbai 400705, India

☎ +91-22-4967-1438 · ☎ +91-22-4967-1439 · o.ashar@wiska.in · www.wiska.in



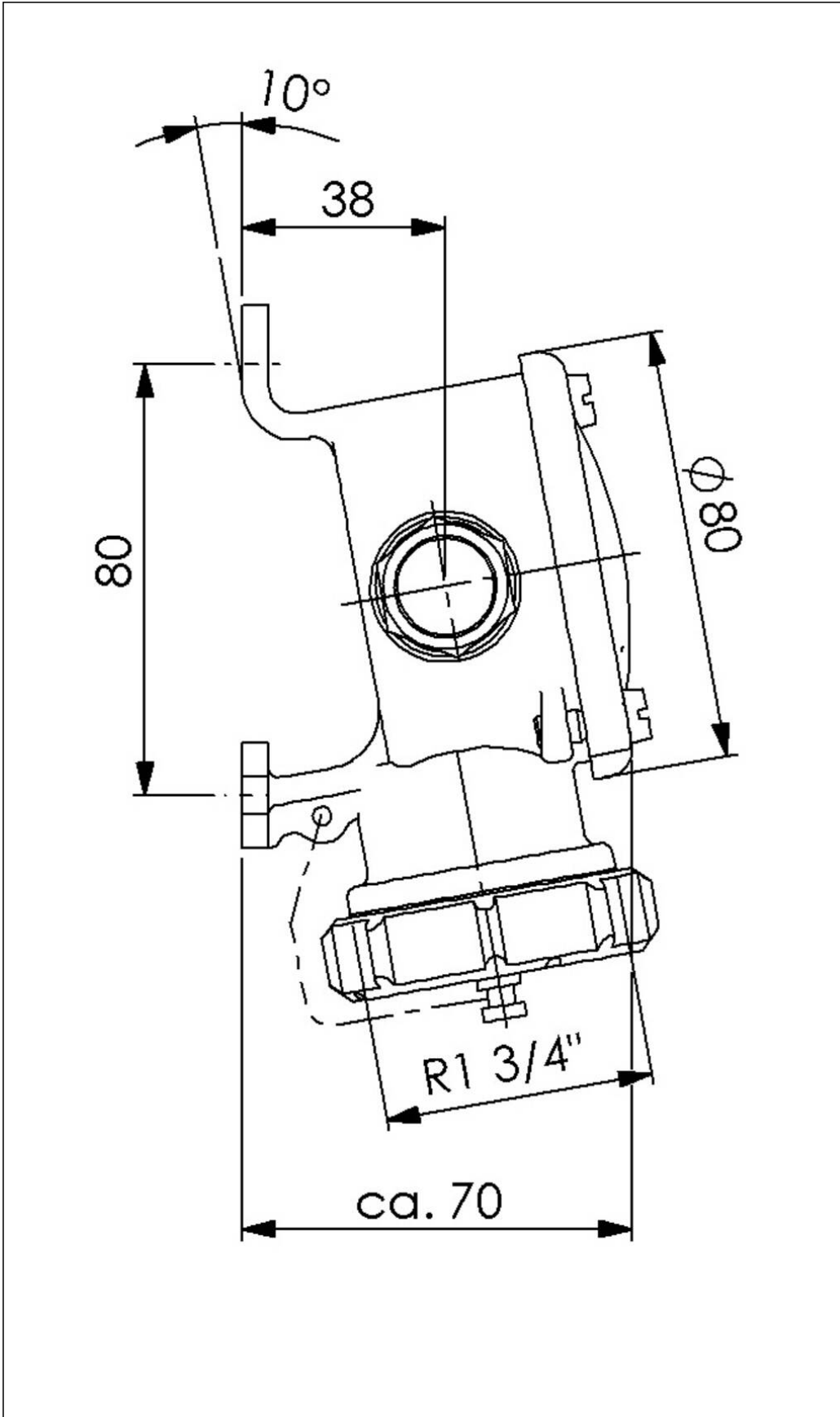
Your Contact:

**WISKA India Pvt. Ltd.**

Mr. Omkar Ashar · Unit No.247/248, Raheja Tesla Industrial District II , Edison Bldg No.-1A,  
Plot No.GEN2/1/C/PART, TTC Industrial Area, MIDC, Juinagar, Navi Mumbai 400705, India

☎ +91-22-4967-1438 · ☎ +91-22-4967-1439 · o.ashar@wiska.in · www.wiska.in

Other technical data on request / subject to change without notice



Your Contact:

**WISKA India Pvt. Ltd.**

Mr. Omkar Ashar · Unit No.247/248,Raheja Tesla Industrial District II , Edison Bldg No.-1A,  
Plot No.GEN2/1/C/PART, TTC Industrial Area, MIDC, Juinagar, Navi Mumbai 400705, India

☎ +91-22-4967-1438 · ☎ +91-22-4967-1439 · o.ashar@wiska.in · www.wiska.in