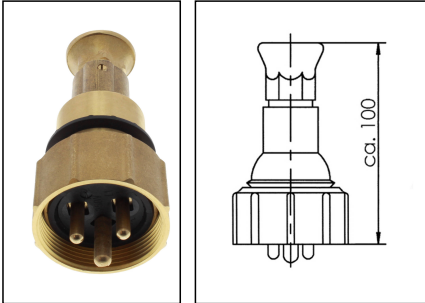


1142/MS/250V-1xW10

HNA plug 16A 250V, brass, IP56



Products may differ in size, colour and appearance to those shown. If you require further information or customisation, please contact us directly.

WISKA-Order no.	10010677
Type	1142/MS/250V-1xW10
Material	Brass
Voltage	250 V
Type of Voltage	AC
Current	16 A
Protection class	IP56
Temp. range min	-25 °C
Temp. range max	45 °C
plug insert	HNA
Terminals/poles	2-pole + E
Type of cable gland	M 24 x 1,5
Ø cable diameter min	8 mm
Ø cable diameter max	10,5 mm
Type of cable	non-armoured
Norm	HNA, DIN 89267
Weight	0,55 kg
Tariff number	85366990

Remarks:

Max. 10A DC

Spare parts

SP-137/250V HNA-Plug interior	22000383
SP-HNA Gasket	22000860

Your Contact:

WISKA India Pvt. Ltd.

Mr. Omkar Ashar · Unit No.247/248,Raheja Tesla Industrial District II , Edison Bldg No.-1A,
Plot No.GEN2/1/C/PART, TTC Industrial Area, MIDC, Juinagar, Navi Mumbai 400705, India

☎ +91-22-4967-1438 · ☎ +91-22-4967-1439 · o.ashar@wiska.in · www.wiska.in

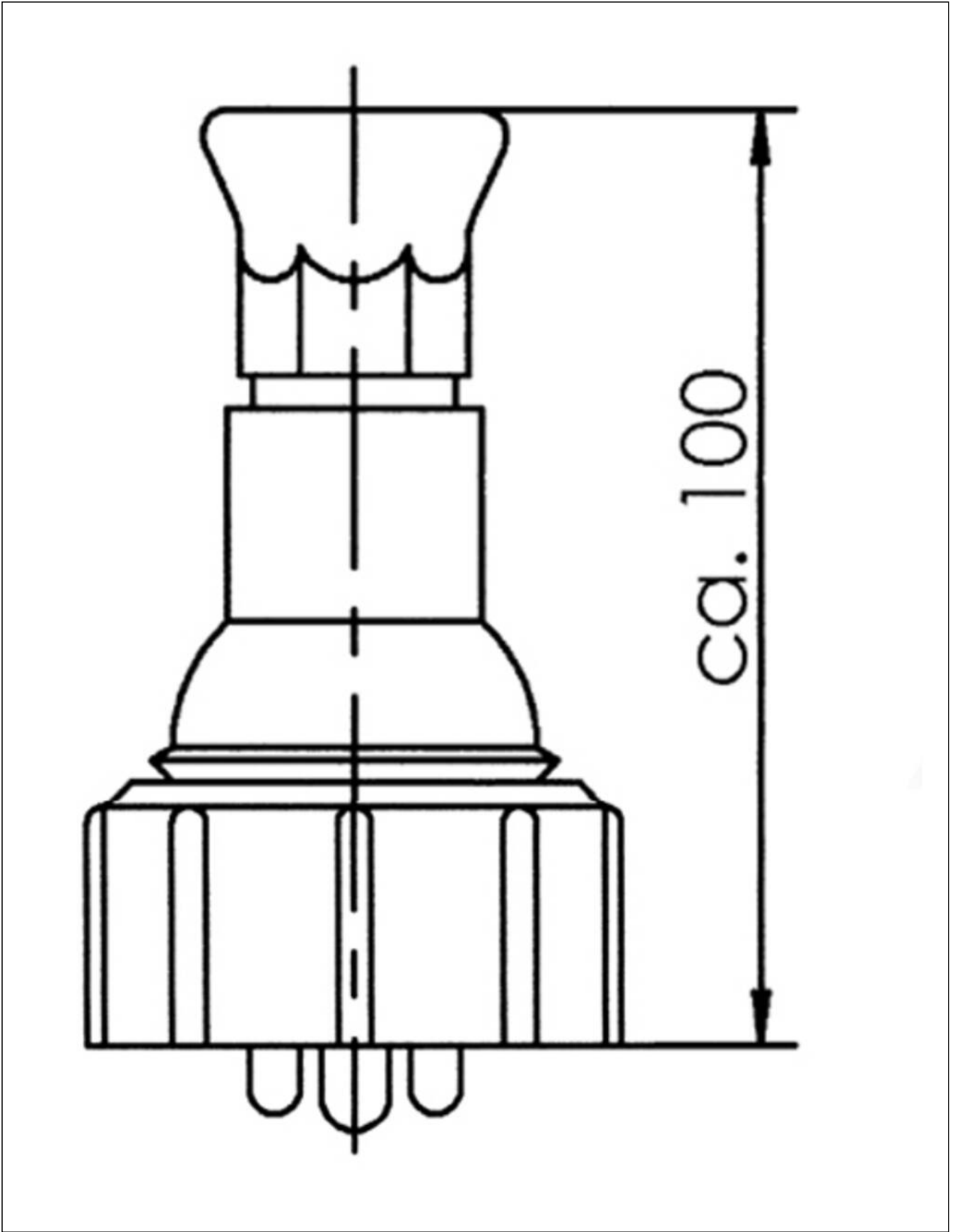
23.05.2026

Your Contact:

WISKA India Pvt. Ltd.

Mr. Omkar Ashar · Unit No.247/248,Raheja Tesla Industrial District II , Edison Bldg No.-1A,
Plot No.GEN2/1/C/PART, TTC Industrial Area, MIDC, Juinagar, Navi Mumbai 400705, India

☎ +91-22-4967-1438 · ☎ +91-22-4967-1439 · o.ashar@wiska.in · www.wiska.in



Your Contact:

WISKA India Pvt. Ltd.

Mr. Omkar Ashar · Unit No.247/248,Raheja Tesla Industrial District II , Edison Bldg No.-1A,
Plot No.GEN2/1/C/PART, TTC Industrial Area, MIDC, Juinagar, Navi Mumbai 400705, India

☎ +91-22-4967-1438 · ☎ +91-22-4967-1439 · o.ashar@wiska.in · www.wiska.in

Other technical data on request / subject to change without notice