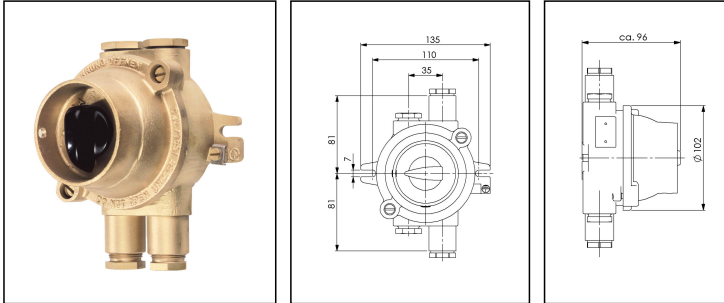


## 2067/D/380V-2xZ14

Change-over switch 2-pole with Off-position, 16A, brass, IP56



Products may differ in size, colour and appearance to those shown. If you require further information or customisation, please contact us directly.

<b>WISKA-Order no.</b>	10010741
<b>Type</b>	2067/D/380V-2xZ14
<b>Voltage</b>	380 V
<b>Type of Voltage</b>	AC
<b>Current</b>	16 A
<b>Protection class</b>	IP56
<b>Material</b>	Brass
<b>Material cable gland</b>	Brass
<b>Using for cable gland</b>	
<b>Type of cable gland</b>	M 24 x 1,5
<b>Ø cable diameter min</b>	12 mm
<b>Ø cable diameter max</b>	14,5 mm
<b>Type of cable</b>	armoured
<b>Mounting</b>	Surface mounting
<b>Temp. range min</b>	-25 °C
<b>Temp. range max</b>	45 °C
<b>Type of switch</b>	Rotary change-over switch 2-p.
<b>Colour</b>	Black
<b>Weight</b>	1,3 kg
<b>Variations</b>	on request
<b>Tariff number</b>	85363010

Remarks:

250V AC/DC  
400V AC

Your Contact:

**WISKA India Pvt. Ltd.**

Mr. Omkar Ashar · Unit No.247/248,Raheja Tesla Industrial District II , Edison Bldg No.-1A,  
Plot No.GEN2/1/C/PART, TTC Industrial Area, MIDC, Juinagar, Navi Mumbai 400705, India

☎ +91-22-4967-1438 · ☎ +91-22-4967-1439 · o.ashar@wiska.in · www.wiska.in

Position of cable entries is exchangeable

## Spare parts

SP-1848 Switch interior	22000362
SP-EX-14105 Switch knob	22000865

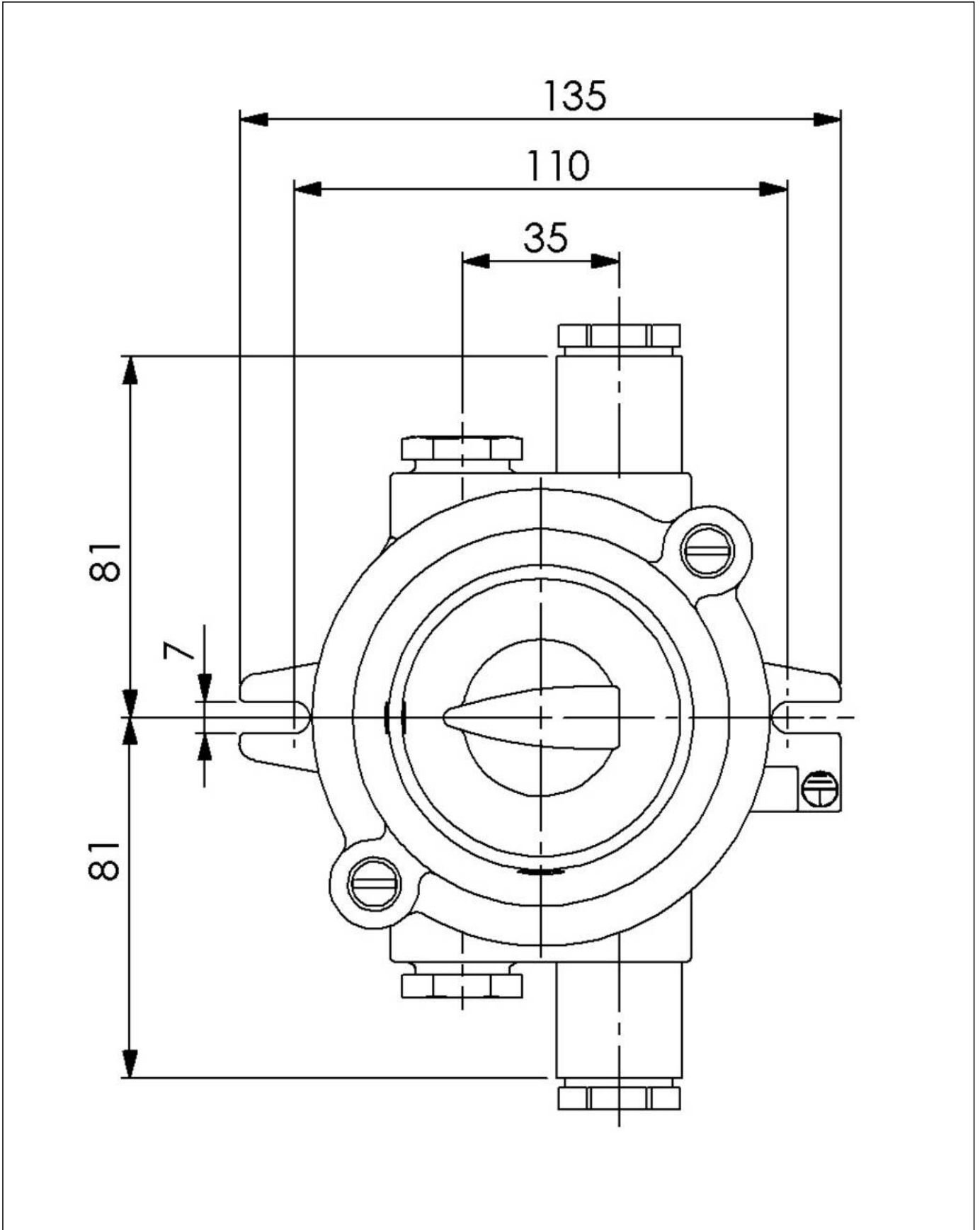
23.05.2026

Your Contact:

**WISKA India Pvt. Ltd.**

Mr. Omkar Ashar · Unit No.247/248,Raheja Tesla Industrial District II , Edison Bldg No.-1A,  
Plot No.GEN2/1/C/PART, TTC Industrial Area, MIDC, Juinagar, Navi Mumbai 400705, India

☎ +91-22-4967-1438 · ☎ +91-22-4967-1439 · o.ashar@wiska.in · www.wiska.in



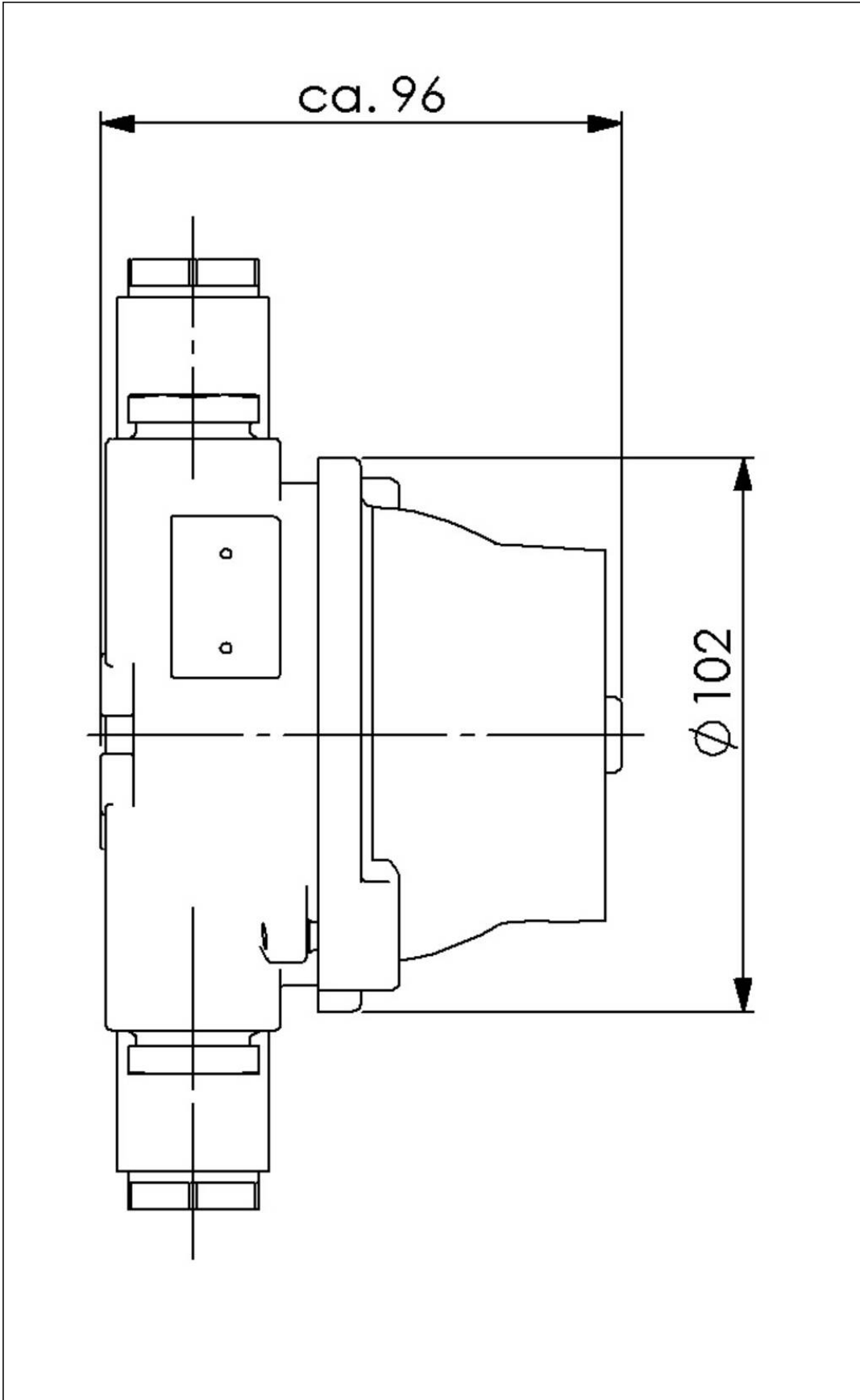
Your Contact:

**WISKA India Pvt. Ltd.**

Mr. Omkar Ashar · Unit No.247/248,Raheja Tesla Industrial District II , Edison Bldg No.-1A,  
Plot No.GEN2/1/C/PART, TTC Industrial Area, MIDC, Juinagar, Navi Mumbai 400705, India

☎ +91-22-4967-1438 · ☎ +91-22-4967-1439 · o.ashar@wiska.in · www.wiska.in

Other technical data on request / subject to change without notice



Your Contact:

**WISKA India Pvt. Ltd.**

Mr. Omkar Ashar · Unit No.247/248,Raheja Tesla Industrial District II , Edison Bldg No.-1A,  
Plot No.GEN2/1/C/PART, TTC Industrial Area, MIDC, Juinagar, Navi Mumbai 400705, India

☎ +91-22-4967-1438 · ☎ +91-22-4967-1439 · o.ashar@wiska.in · www.wiska.in