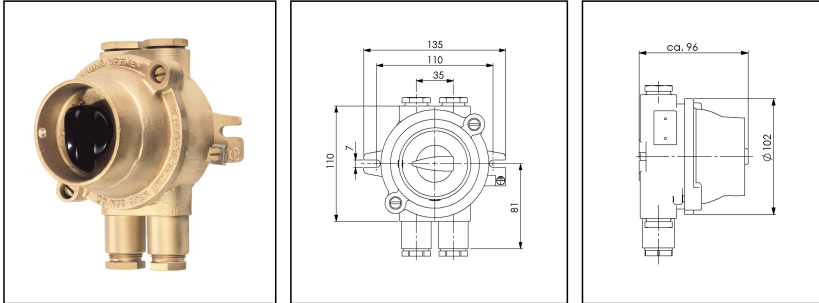



## 3066/2/380V-2xZ14

On-off switch 3-pole, 16A, brass, IP56



Products may differ in size, colour and appearance to those shown. If you require further information or customisation, please contact us directly.

|                              |   |
|------------------------------|---|
| <b>WISKA-Order no.</b>       | 10010744  |
| <b>Type</b>                  | 3066/2/380V-2xZ14   |
| <b>Voltage</b>               | 380 V   |
| <b>Type of Voltage</b>       | AC  |
| <b>Current</b>               | 16 A  |
| <b>Protection class</b>      | IP56  |
| <b>Material</b>              | Brass   |
| <b>Material cable gland</b>  | Brass   |
| <b>Using for cable gland</b> |  |
| <b>Type of cable gland</b>   | M 24 x 1,5  |
| <b>Ø cable diameter min</b>  | 12 mm   |
| <b>Ø cable diameter max</b>  | 14,5 mm   |
| <b>Type of cable</b>         | armoured  |
| <b>Mounting</b>              | Surface mounting  |
| <b>Temp. range min</b>       | -25 °C  |
| <b>Temp. range max</b>       | 45 °C   |
| <b>Type of switch</b>        | Rotary on-off switch, 3-pole  |
| <b>Colour</b>                | Black   |
| <b>Weight</b>                | 2,2 kg  |
| <b>Variations</b>            | on request  |
| <b>Tariff number</b>         | 85363010  |

Equipment:

- Position of cable entries is exchangeable

Your Contact:

**WISKA India Pvt. Ltd.**

Mr. Omkar Ashar · Unit No.247/248,Raheja Tesla Industrial District II , Edison Bldg No.-1A,  
Plot No.GEN2/1/C/PART, TTC Industrial Area, MIDC, Juinagar, Navi Mumbai 400705, India

☎ +91-22-4967-1438 · ☎ +91-22-4967-1439 · o.ashar@wiska.in · www.wiska.in

**Spare parts**

|  |          |
|--|----------|
| <b>SP-1851 Rotary On-Off switch interior</b> | 22000363 |
| <b>SP-EX-14105 Switch knob</b>               | 22000865 |

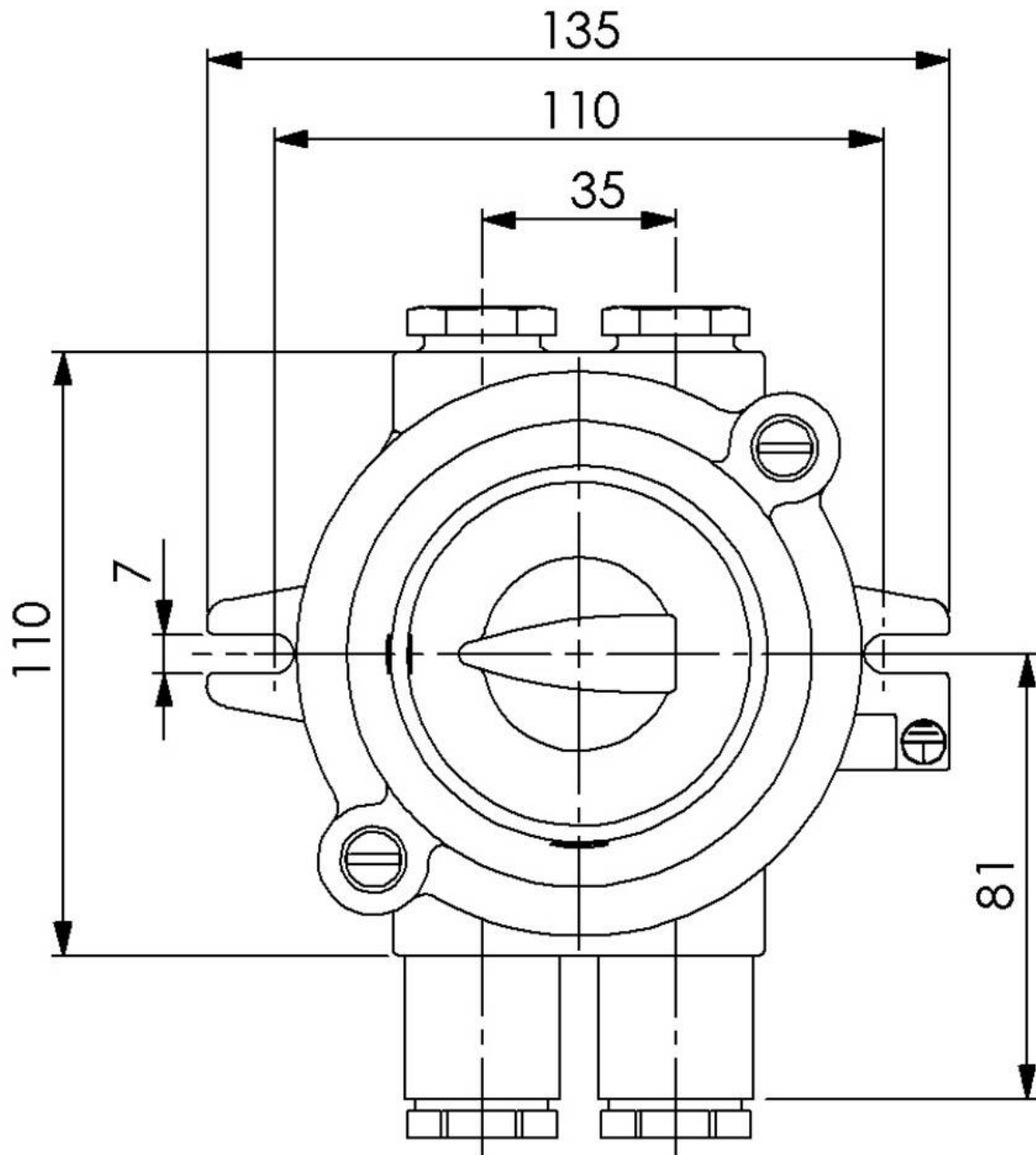
23.05.2026

Your Contact:

**WISKA India Pvt. Ltd.**

Mr. Omkar Ashar · Unit No.247/248,Raheja Tesla Industrial District II , Edison Bldg No.-1A,  
Plot No.GEN2/1/C/PART, TTC Industrial Area, MIDC, Juinagar, Navi Mumbai 400705, India

☎ +91-22-4967-1438 · ☎ +91-22-4967-1439 · o.ashar@wiska.in · www.wiska.in



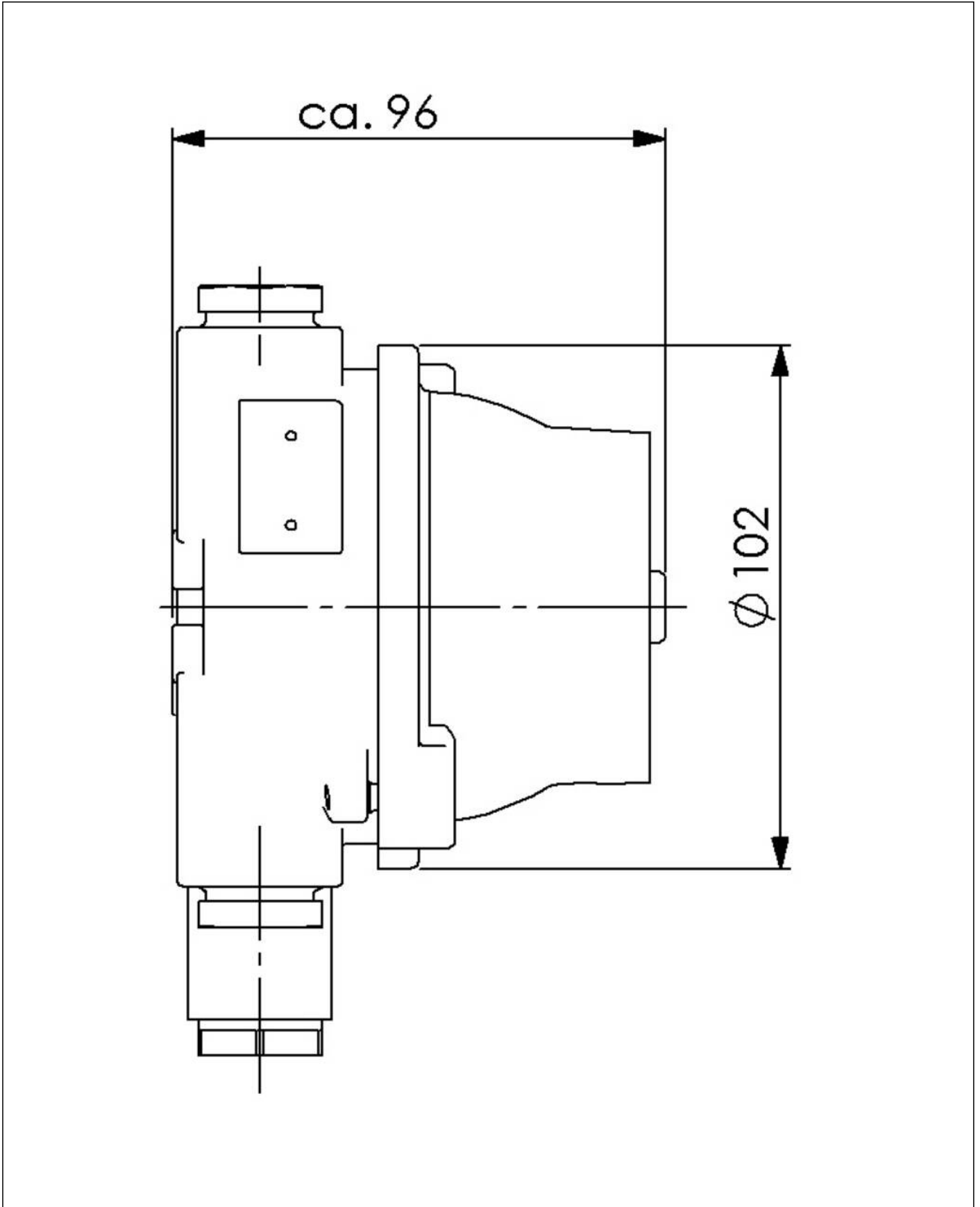
Your Contact:

**WISKA India Pvt. Ltd.**

Mr. Omkar Ashar · Unit No.247/248, Raheja Tesla Industrial District II , Edison Bldg No.-1A,  
Plot No.GEN2/1/C/PART, TTC Industrial Area, MIDC, Juinagar, Navi Mumbai 400705, India

☎ +91-22-4967-1438 · ☎ +91-22-4967-1439 · o.ashar@wiska.in · www.wiska.in

Other technical data on request / subject to change without notice



Your Contact:

**WISKA India Pvt. Ltd.**

Mr. Omkar Ashar · Unit No.247/248,Raheja Tesla Industrial District II , Edison Bldg No.-1A,  
Plot No.GEN2/1/C/PART, TTC Industrial Area, MIDC, Juinagar, Navi Mumbai 400705, India

☎ +91-22-4967-1438 · ☎ +91-22-4967-1439 · o.ashar@wiska.in · www.wiska.in