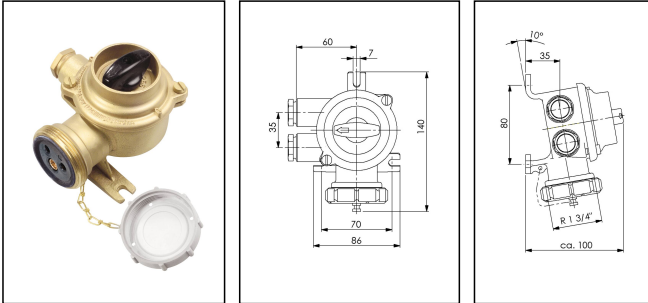



1144/2/P/FS/250V/16A-2xZ14

HNA-Socket with switch 2-pole 16A 250V, brass, IP56



Products may differ in size, colour and appearance to those shown. If you require further information or customisation, please contact us directly.

WISKA-Order no.	10012146
Type	1144/2/P/FS/250V/16A-2xZ14
Voltage	250 V
Current	16 A
Protection class	IP56
Material	Brass
Material protective cap	Polyamide
Using for cable gland	
Type of cable gland	M 24 x 1,5
Type of cable	armoured
Ø cable diameter min	12 mm
Ø cable diameter max	14,5 mm
Type of switch	On-Off, 2-pole
Socket insert	HNA
Terminals/poles	2-pole + E
Temp. range min	-25 °C
Temp. range max	40 °C
Norm	similar DIN 89263
Weight	1,29 kg
Mounting	Surface mounting
Variations	on request
Tariff number	85366990

Your Contact:

WISKA India Pvt. Ltd.

Mr. Omkar Ashar · Unit No.247/248,Raheja Tesla Industrial District II , Edison Bldg No.-1A,
Plot No.GEN2/1/C/PART, TTC Industrial Area, MIDC, Juinagar, Navi Mumbai 400705, India

+91-22-4967-1438 · +91-22-4967-1439 · o.ashar@wiska.in · www.wiska.in

Recommended accessories

1142/FS/250V-1xW10	10010676
1142/MS/250V-1xW10	10010677

Spare parts

SP-1842/16A Switch interior, 2-pole	22000355
SP-138/250V Socket interior	22000375
SP-SK/FS-HNA Screw cap	22000376
SP-HNA Knob 1842 - 1845	22000639
SP-HNA Cover sealing	22000838
SP-HNA Gasket	22000860
SP-GR/HNA/FS R 1 3/8" Ring nut clear	22000868

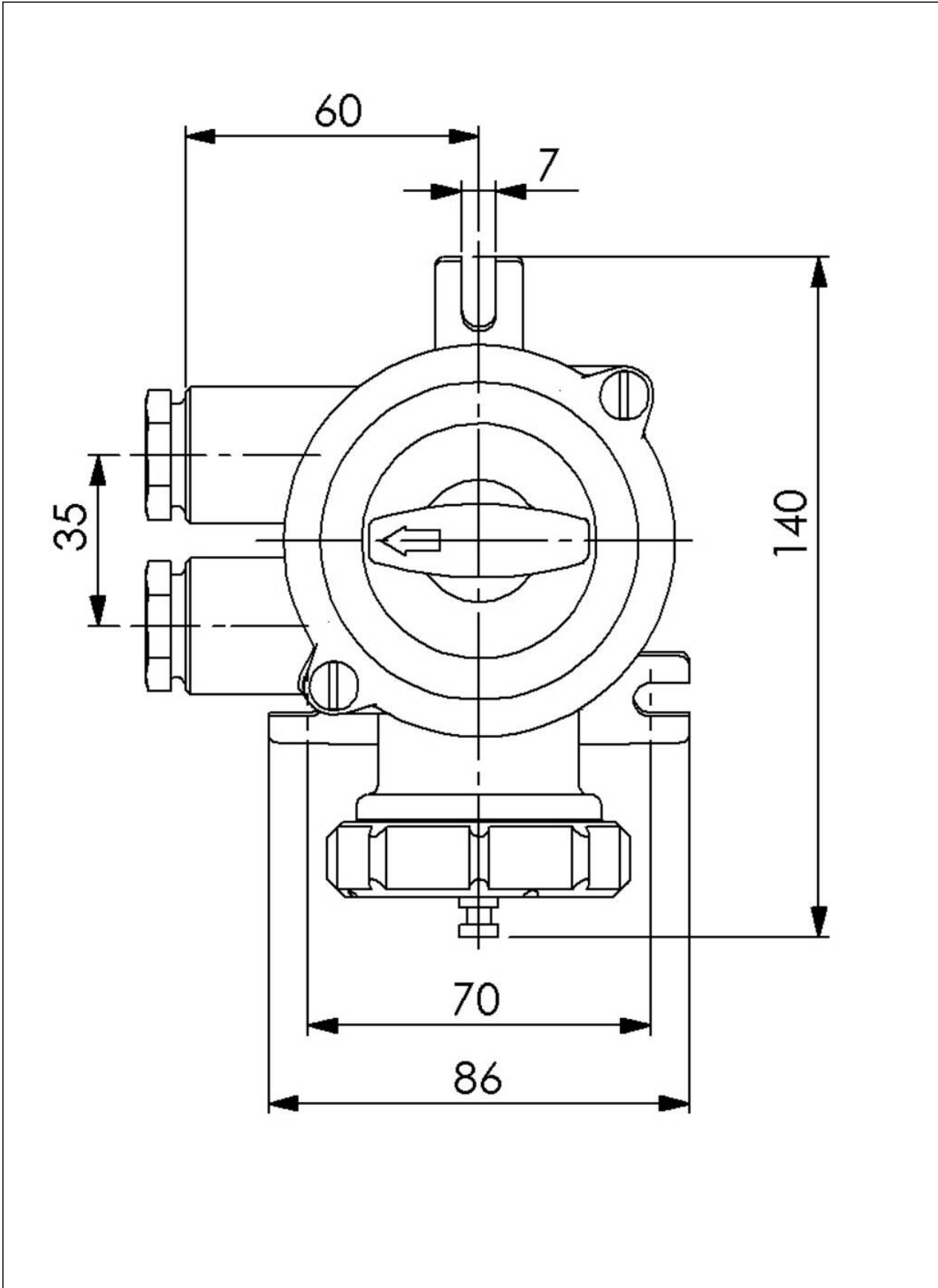
12.05.2026

Your Contact:

WISKA India Pvt. Ltd.

Mr. Omkar Ashar · Unit No.247/248,Raheja Tesla Industrial District II , Edison Bldg No.-1A,
Plot No.GEN2/1/C/PART, TTC Industrial Area, MIDC, Juinagar, Navi Mumbai 400705, India

☎ +91-22-4967-1438 · ☎ +91-22-4967-1439 · o.ashar@wiska.in · www.wiska.in

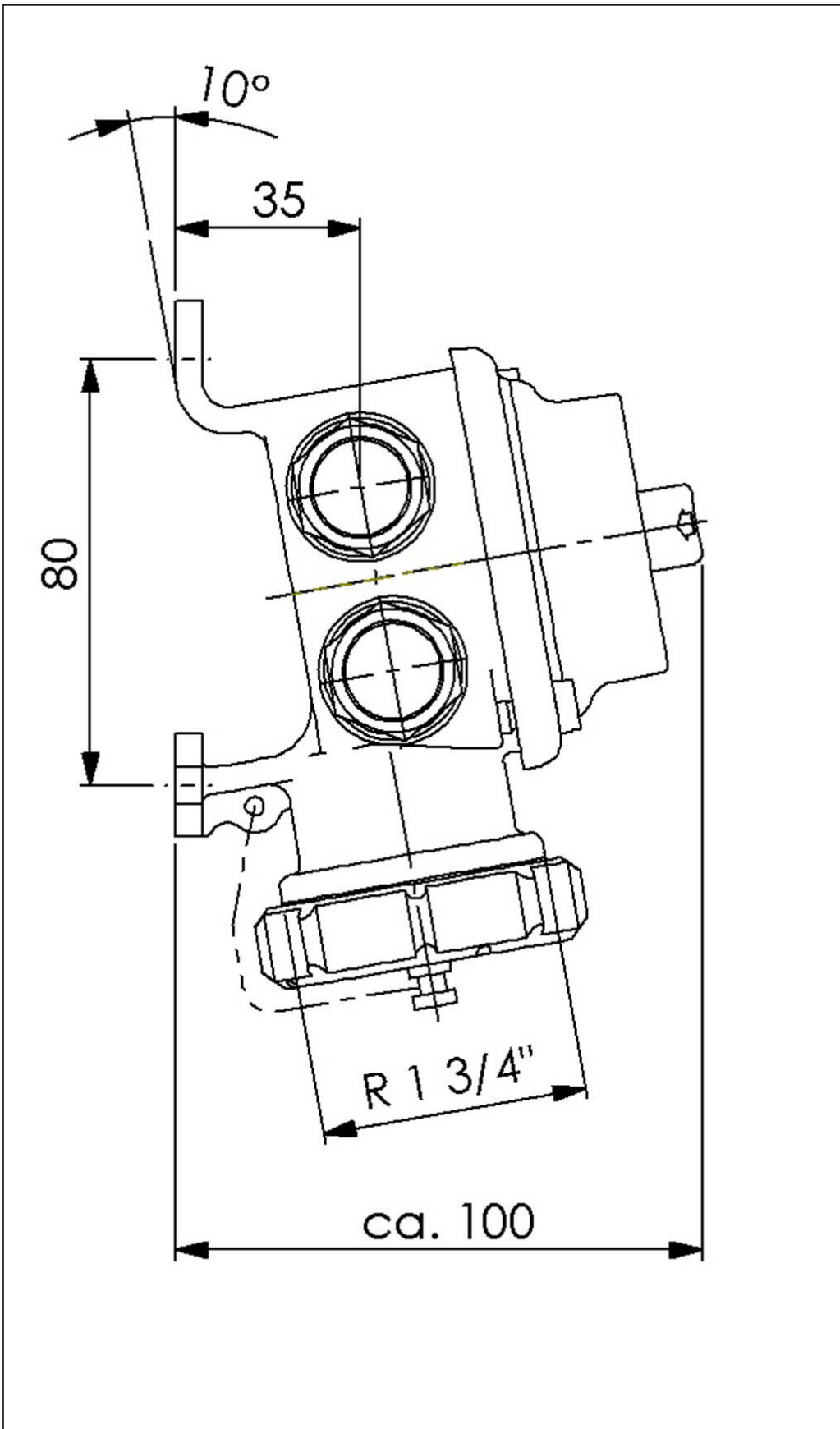


Your Contact:

WISKA India Pvt. Ltd.

Mr. Omkar Ashar · Unit No.247/248, Raheja Tesla Industrial District II , Edison Bldg No.-1A,
Plot No.GEN2/1/C/PART, TTC Industrial Area, MIDC, Juinagar, Navi Mumbai 400705, India

☎ +91-22-4967-1438 · ☎ +91-22-4967-1439 · o.ashar@wiska.in · www.wiska.in



Your Contact:

WISKA India Pvt. Ltd.

Mr. Omkar Ashar · Unit No.247/248,Raheja Tesla Industrial District II , Edison Bldg No.-1A,
Plot No.GEN2/1/C/PART, TTC Industrial Area, MIDC, Juinagar, Navi Mumbai 400705, India

☎ +91-22-4967-1438 · ☎ +91-22-4967-1439 · o.ashar@wiska.in · www.wiska.in