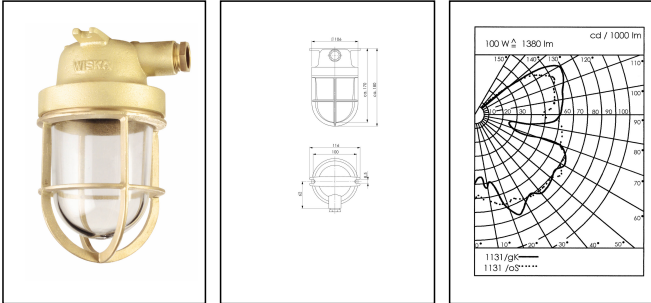


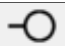
1131/gK/clear/mT/1974-1xZ14

HNA standard light with cast guard max. 100W E27, brass, glass clear, IP56



Products may differ in size, colour and appearance to those shown. If you require further information or customisation, please contact us directly.



WISKA-Order no.	10012748
Type	1131/gK/clear/mT/1974-1xZ14
Material	Brass
Material globe/diffuser	Glass
Globe colour	Clear
Material guard	Brass
Wattage	100 W
Voltage	230 V
Type of Voltage	AC
Protection class	IP56
Temp. range min	-25 °C
Temp. range max	45 °C
Lampholder	E27
Number of lampholder	1 ST
Lightsource	variable (E27)
Lightsource incl.	No
Bulb shape	Rod shaped
Type of cable gland	M24x1,5 Z 14 / 12-14,5mm
Material cable gland	Brass
Using for cable gland	
Type of cable	armoured
Ø cable diameter min	12 mm
Ø cable diameter max	14,5 mm
Mounting	Ceiling, Upside down, Surface mounting
Equipment	with drope hole

Your Contact:

WISKA India Pvt. Ltd.

Mr. Omkar Ashar · Unit No.247/248,Raheja Tesla Industrial District II , Edison Bldg No.-1A,
Plot No.GEN2/1/C/PART, TTC Industrial Area, MIDC, Juinagar, Navi Mumbai 400705, India

☎ +91-22-4967-1438 · ☎ +91-22-4967-1439 · o.ashar@wiska.in · www.wiska.in

External dimensions LxWxH	185x116mm
Weight	1,51 kg
Approval	DNV-GL, RMRS
Tariff number	94051990

Equipment:

- Cast guard
- above 75W incandescent lamp we recommend a branching box

Recommended accessories

SP-1112 Wall bracket 12mm	22000350
----------------------------------	----------

Spare parts

SP-1900/mT/clear	22000293
SP-gK 1131 Cast guard	22000294
SP-1189 Anti dazzle screen	22000534
SP-1131 Gasket	22000863
SP-Incandescent lamp 60W 230V E27	22000983
SP-1974 Lampholder E27, PPS, HNA	22001018

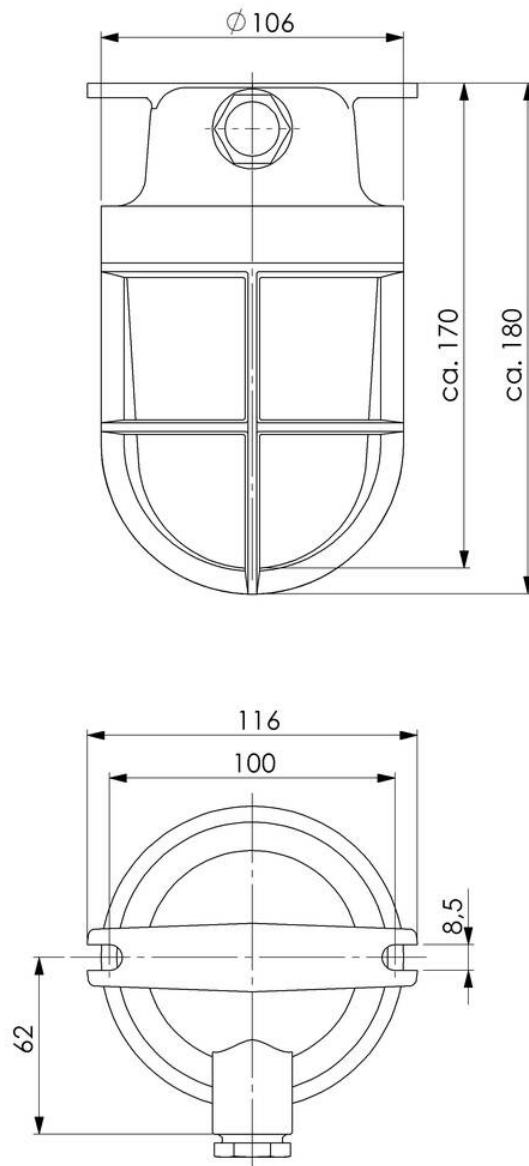
12.05.2026

Your Contact:

WISKA India Pvt. Ltd.

Mr. Omkar Ashar · Unit No.247/248,Raheja Tesla Industrial District II , Edison Bldg No.-1A,
Plot No.GEN2/1/C/PART, TTC Industrial Area, MIDC, Juinagar, Navi Mumbai 400705, India

☎ +91-22-4967-1438 · ☎ +91-22-4967-1439 · o.ashar@wiska.in · www.wiska.in



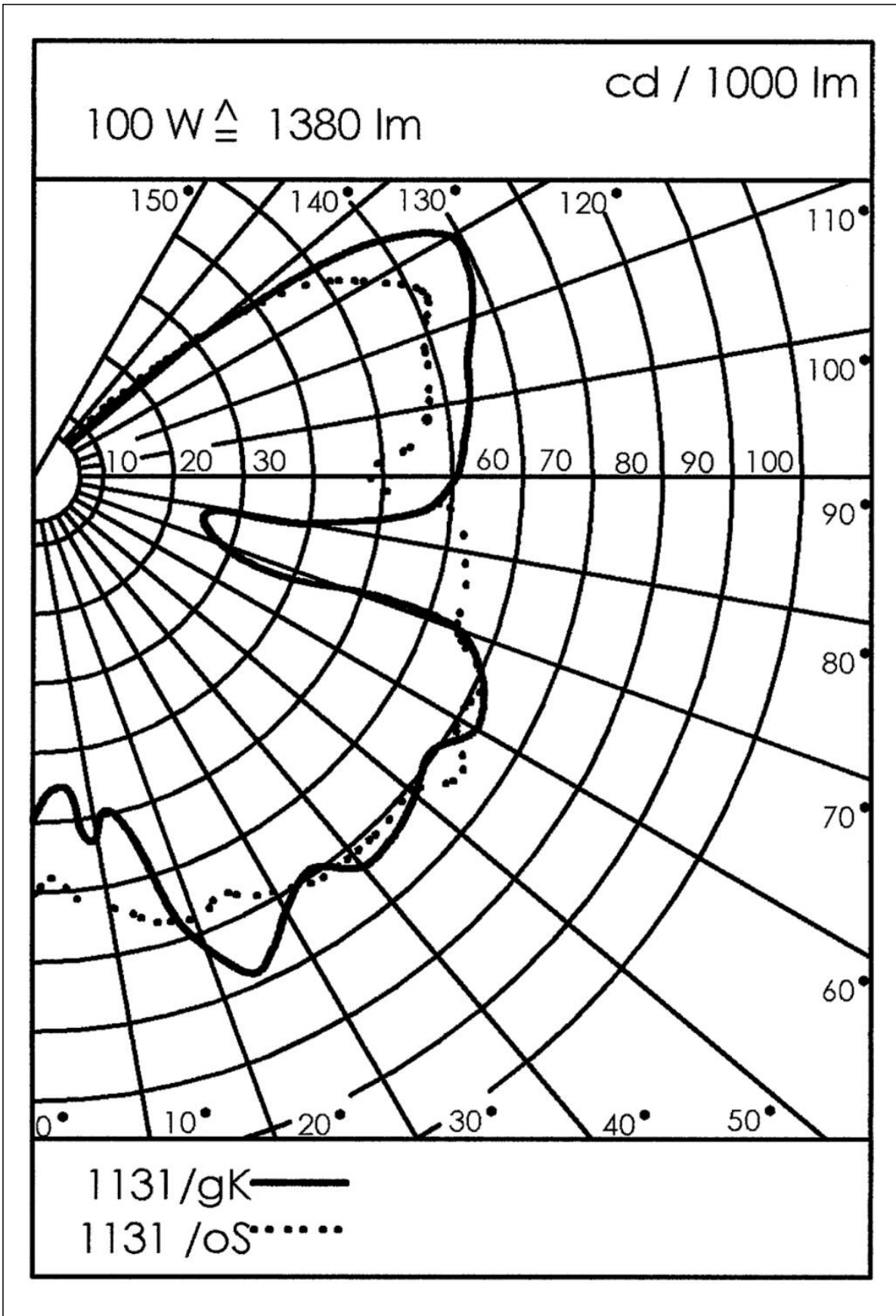
Your Contact:

WISKA India Pvt. Ltd.

Mr. Omkar Ashar · Unit No.247/248, Raheja Tesla Industrial District II , Edison Bldg No.-1A,
Plot No.GEN2/1/C/PART, TTC Industrial Area, MIDC, Juinagar, Navi Mumbai 400705, India

☎ +91-22-4967-1438 · ☎ +91-22-4967-1439 · o.ashar@wiska.in · www.wiska.in

Other technical data on request / subject to change without notice



Your Contact:

WISKA India Pvt. Ltd.

Mr. Omkar Ashar · Unit No.247/248,Raheja Tesla Industrial District II , Edison Bldg No.-1A,
Plot No.GEN2/1/C/PART, TTC Industrial Area, MIDC, Juinagar, Navi Mumbai 400705, India

☎ +91-22-4967-1438 · ☎ +91-22-4967-1439 · o.ashar@wiska.in · www.wiska.in