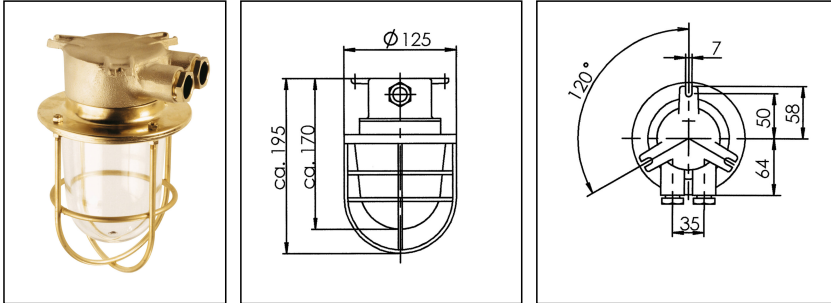



1031/2/clear/mT/1974-2xZ14

Lower deck light with wire guard, max. 100W E27, brass, glass clear, IP56



Products may differ in size, colour and appearance to those shown. If you require further information or customisation, please contact us directly.

| | |
|--------------------------------|---|
| WISKA-Order no. | 10012999 |
| Type | 1031/2/clear/mT/1974-2xZ14 |
| Material | Brass |
| Material globe/diffuser | Glass |
| Globe colour | Clear |
| Material guard | Brass |
| Wattage | 100 W |
| Voltage | 230 V |
| Type of Voltage | AC |
| Protection class | IP56 |
| Temp. range min | -25 °C |
| Temp. range max | 45 °C |
| Lampholder | E27 |
| Number of lampholder | 1 ST |
| Lightsource | variable (E27) |
| Lightsource incl. | No |
| Bulb shape | Rod shaped |
| Type of cable gland | M24x1,5 Z 14 / 12-14,5mm |
| Material cable gland | Brass |
| Using for cable gland |  |
| Type of cable | armoured |
| Ø cable diameter min | 12 mm |
| Ø cable diameter max | 14,5 mm |
| Mounting | Upside down, Surface mounting, Ceiling |
| Equipment | with drope hole |

Your Contact:

WISKA India Pvt. Ltd.

Mr. Omkar Ashar · Unit No.247/248,Raheja Tesla Industrial District II , Edison Bldg No.-1A,
Plot No.GEN2/1/C/PART, TTC Industrial Area, MIDC, Juinagar, Navi Mumbai 400705, India

☎ +91-22-4967-1438 · ☎ +91-22-4967-1439 · o.ashar@wiska.in · www.wiska.in

| | |
|----------------------------------|-----------|
| External dimensions LxWxH | 195x125mm |
| Weight | 1,7 kg |
| Tariff number | 94051990 |

Equipment:

- above 75W incandescent lamp we recommend a branching box

Recommended accessories

| | |
|----------------------------------|----------|
| SP-1160 Wall bracket 60mm | 22000351 |
|----------------------------------|----------|

Spare parts

| | |
|---|----------|
| SP-1900/mT/clear | 22000293 |
| SP-1941 Flange glass globe and guard | 22000309 |
| SP-1974 Lampholder E27, PPS, Signal | 22001019 |

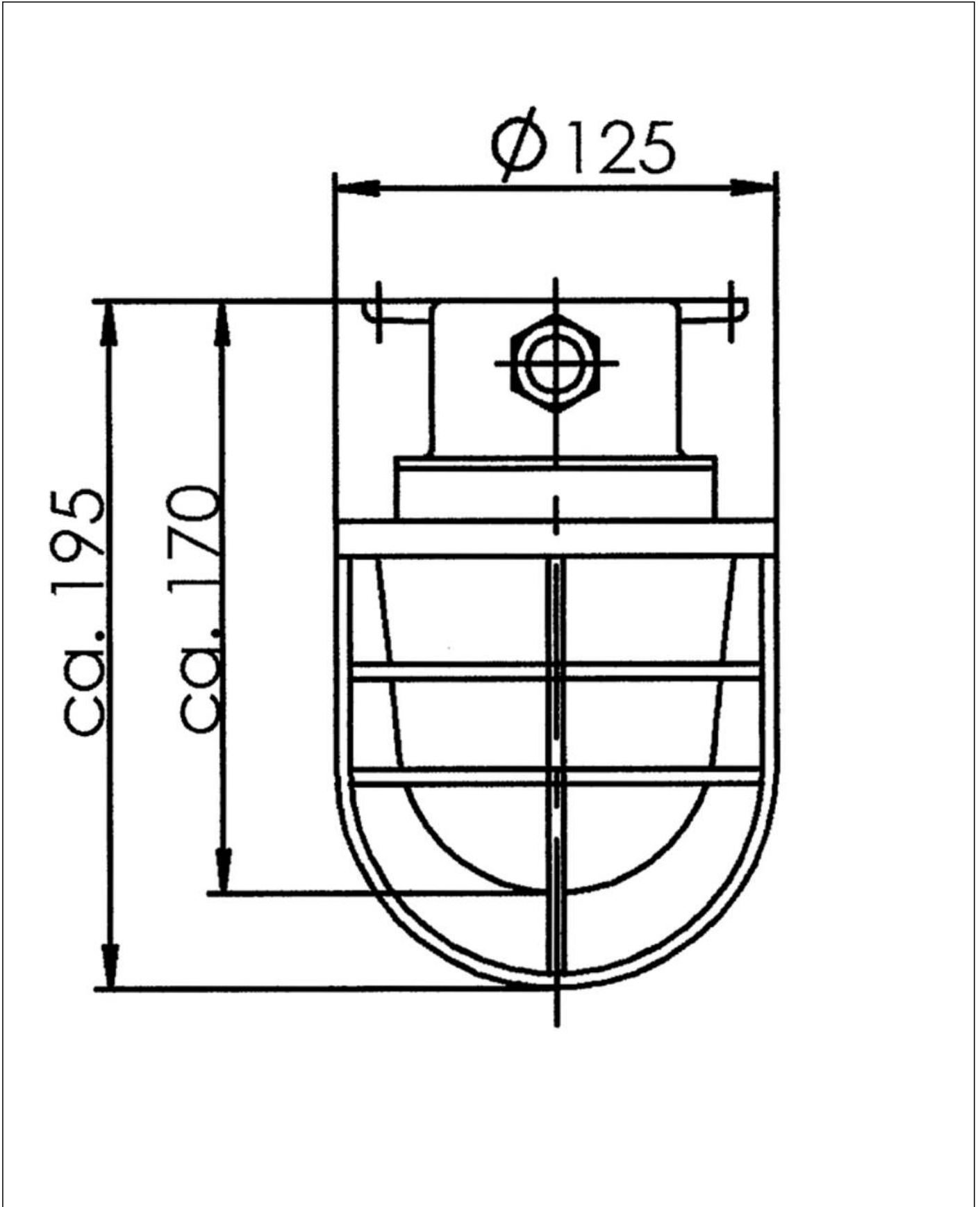
17.06.2026

Your Contact:

WISKA India Pvt. Ltd.

Mr. Omkar Ashar · Unit No.247/248,Raheja Tesla Industrial District II , Edison Bldg No.-1A,
Plot No.GEN2/1/C/PART, TTC Industrial Area, MIDC, Juinagar, Navi Mumbai 400705, India

☎ +91-22-4967-1438 · ☎ +91-22-4967-1439 · o.ashar@wiska.in · www.wiska.in

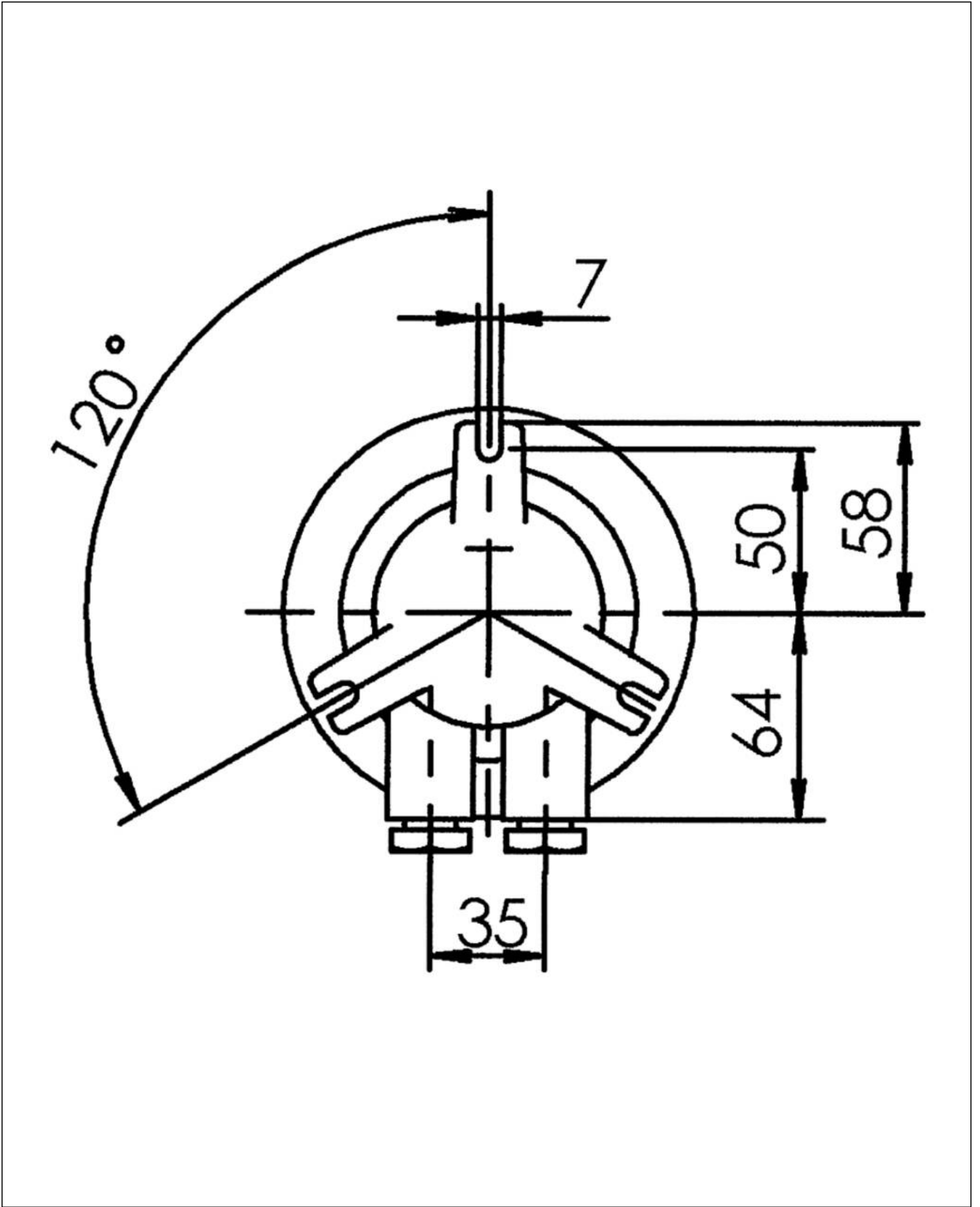


Your Contact:

WISKA India Pvt. Ltd.

Mr. Omkar Ashar · Unit No.247/248,Raheja Tesla Industrial District II , Edison Bldg No.-1A,
Plot No.GEN2/1/C/PART, TTC Industrial Area, MIDC, Juinagar, Navi Mumbai 400705, India

☎ +91-22-4967-1438 · ☎ +91-22-4967-1439 · o.ashar@wiska.in · www.wiska.in



Your Contact:

WISKA India Pvt. Ltd.

Mr. Omkar Ashar · Unit No.247/248, Raheja Tesla Industrial District II , Edison Bldg No.-1A,
Plot No.GEN2/1/C/PART, TTC Industrial Area, MIDC, Juinagar, Navi Mumbai 400705, India

☎ +91-22-4967-1438 · ☎ +91-22-4967-1439 · o.ashar@wiska.in · www.wiska.in