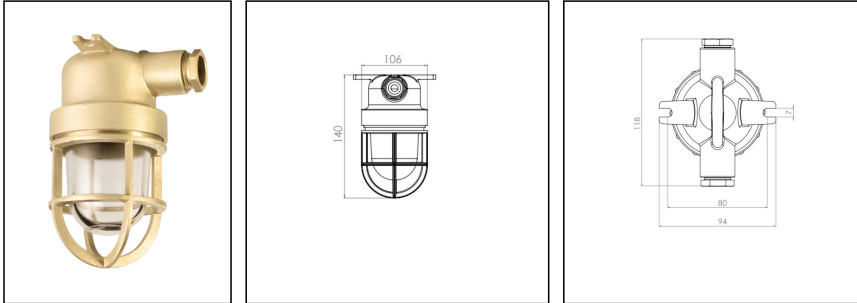


1017/D/gK/clear/oT/1985-2xZ14

HNA standard light small with cast guard, max. 25W B15d, brass, glass clear IP56



Products may differ in size, colour and appearance to those shown. If you require further information or customisation, please contact us directly.



WISKA-Order no.	10013139
Type	1017/D/gK/clear/oT/1985-2xZ14
Material	Brass
Material globe/diffuser	Glass
Globe colour	Clear
Material guard	Brass
Power[^]	1 x 25 W
Wattage	25 W
Voltage	230 V
Type of Voltage	AC
Protection class	IP56
Temp. range min	-40 °C
Temp. range max	45 °C
Lampholder	B15d
Number of lampholder	1 ST
Lightsource	Incandescent lamp, variable (B15)
Lightsource incl.	No
Bulb shape	Rod shaped
Type of cable gland	M24x1,5 Z 14 / 12-14,5mm
Material cable gland	Brass
Using for cable gland	
Type of cable	armoured
Ø cable diameter min	12 mm
Ø cable diameter max	14,5 mm
Mounting	Ceiling, Upside down, Surface mounting

Your Contact:

WISKA India Pvt. Ltd.

Mr. Omkar Ashar · Unit No.247/248,Raheja Tesla Industrial District II , Edison Bldg No.-1A,
Plot No.GEN2/1/C/PART, TTC Industrial Area, MIDC, Juinagar, Navi Mumbai 400705, India

☎ +91-22-4967-1438 · ☎ +91-22-4967-1439 · o.ashar@wiska.in · www.wiska.in

Equipment	without drope hole
External dimensions LxWxH	140x94mm
Weight	0,95 kg
Approval	DNV-GL, RMRS
Tariff number	94051990

Recommended accessories

SP-1160 Wall bracket 60mm	22000351
----------------------------------	----------

Spare parts

SP-1990/oT/clear	22000297
SP-gK 1017 Cast guard	22000300
SP-1017 Gasket	22000861
SP-1985 Lampholder B15d, 1017	22001062

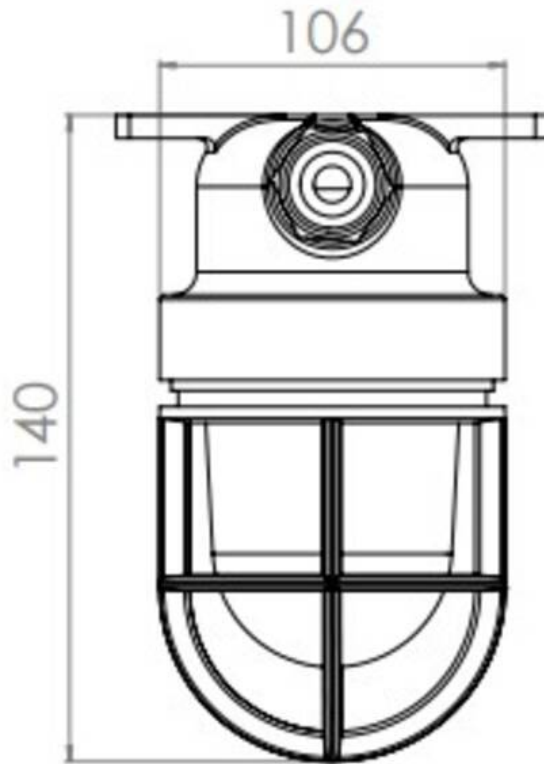
17.06.2026

Your Contact:

WISKA India Pvt. Ltd.

Mr. Omkar Ashar · Unit No.247/248,Raheja Tesla Industrial District II , Edison Bldg No.-1A,
Plot No.GEN2/1/C/PART, TTC Industrial Area, MIDC, Juinagar, Navi Mumbai 400705, India

☎ +91-22-4967-1438 · ☎ +91-22-4967-1439 · o.ashar@wiska.in · www.wiska.in



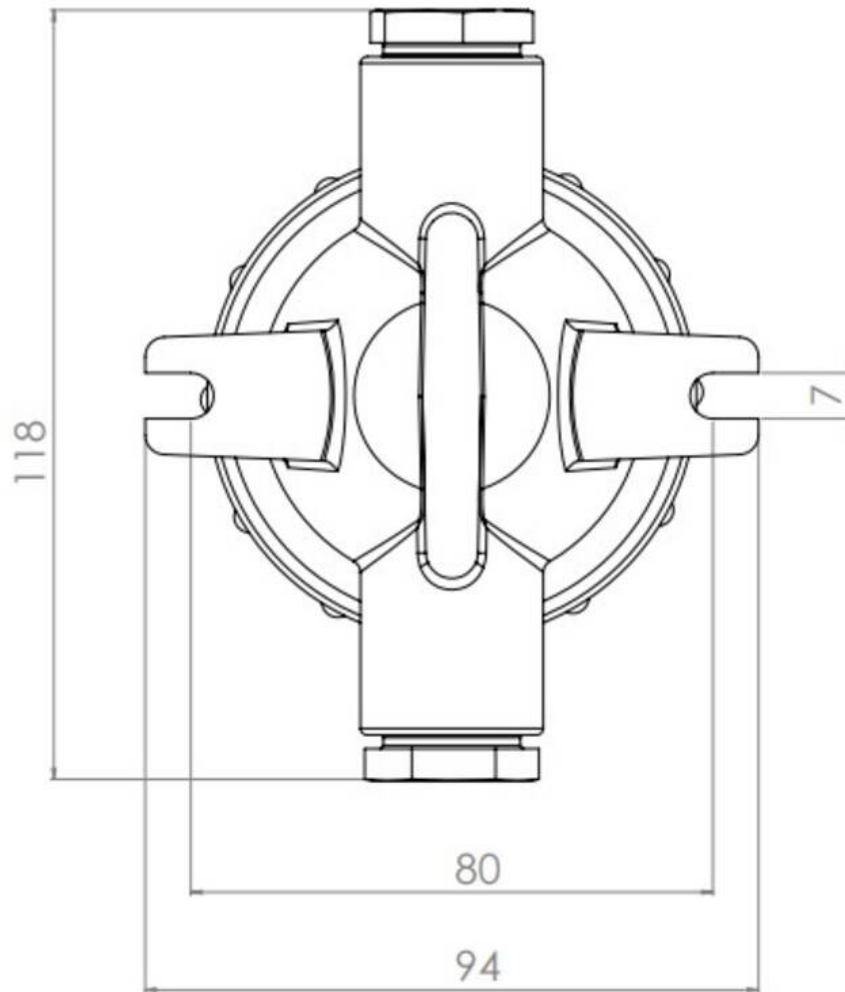
Your Contact:

WISKA India Pvt. Ltd.

Mr. Omkar Ashar · Unit No.247/248,Raheja Tesla Industrial District II , Edison Bldg No.-1A,
Plot No.GEN2/1/C/PART, TTC Industrial Area, MIDC, Juinagar, Navi Mumbai 400705, India

☎ +91-22-4967-1438 · ☎ +91-22-4967-1439 · o.ashar@wiska.in · www.wiska.in

Other technical data on request / subject to change without notice



Your Contact:

WISKA India Pvt. Ltd.

Mr. Omkar Ashar · Unit No.247/248,Raheja Tesla Industrial District II , Edison Bldg No.-1A,
Plot No.GEN2/1/C/PART, TTC Industrial Area, MIDC, Juinagar, Navi Mumbai 400705, India

☎ +91-22-4967-1438 · ☎ +91-22-4967-1439 · o.ashar@wiska.in · www.wiska.in

Other technical data on request / subject to change without notice