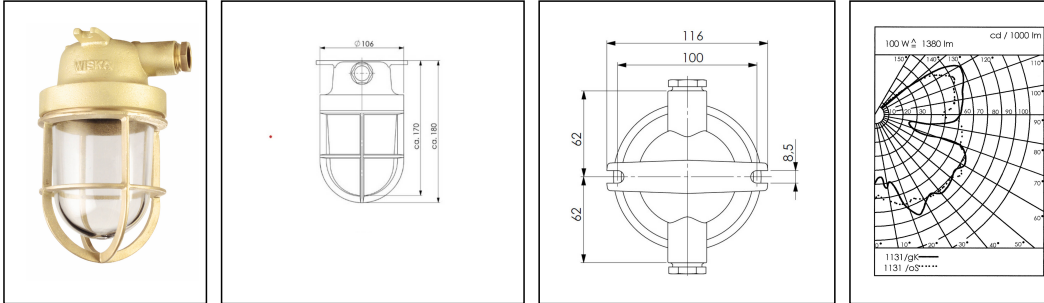


## 1131/D/gK/clear/mT/1975-2xZ14

HNA standard light with cast guard max. 100W B22d, brass, glass clear, IP56



Products may differ in size, colour and appearance to those shown. If you require further information or customisation, please contact us directly.



<b>WISKA-Order no.</b>	10013206
<b>Type</b>	1131/D/gK/clear/mT/1975-2xZ14
<b>Material</b>	Brass
<b>Material globe/diffuser</b>	Glass
<b>Globe colour</b>	Clear
<b>Material guard</b>	Brass
<b>Wattage</b>	100 W
<b>Voltage</b>	230 V
<b>Type of Voltage</b>	AC
<b>Protection class</b>	IP56
<b>Temp. range min</b>	-25 °C
<b>Temp. range max</b>	45 °C
<b>Lampholder</b>	B22d
<b>Number of lampholder</b>	1 ST
<b>Lightsource</b>	variable (B22)
<b>Lightsource incl.</b>	No
<b>Bulb shape</b>	Rod shaped
<b>Type of cable gland</b>	M24x1,5 Z 14 / 12-14,5mm
<b>Material cable gland</b>	Brass
<b>Using for cable gland</b>	
<b>Type of cable</b>	armoured
<b>Ø cable diameter min</b>	12 mm
<b>Ø cable diameter max</b>	14,5 mm
<b>Mounting</b>	Ceiling, Surface mounting, Upside down
<b>Equipment</b>	with drope hole

Your Contact:

WISKA India Pvt. Ltd.

Mr. Omkar Ashar · Unit No.247/248,Raheja Tesla Industrial District II , Edison Bldg No.-1A,  
Plot No.GEN2/1/C/PART, TTC Industrial Area, MIDC, Juinagar, Navi Mumbai 400705, India

☎ +91-22-4967-1438 · ☎ +91-22-4967-1439 · o.ashar@wiska.in · www.wiska.in

<b>External dimensions LxWxH</b>	185x116mm
<b>Weight</b>	1,59 kg
<b>Approval</b>	DNV-GL, RMRS
<b>Tariff number</b>	94051990

Equipment:

- Cast guard
- above 75W incandescent lamp we recommend a branching box

#### Recommended accessories

<b>SP-1112 Wall bracket 12mm</b>	22000350
----------------------------------	----------

#### Spare parts

<b>SP-1900/mT/clear</b>	22000293
<b>SP-gK 1131 Cast guard</b>	22000294
<b>SP-1189 Anti dazzle screen</b>	22000534
<b>SP-1131 Gasket</b>	22000863
<b>SP-1975 Lampholder B22d, HNA</b>	22001038
<b>Bulb 60W 220V B22d</b>	50080223

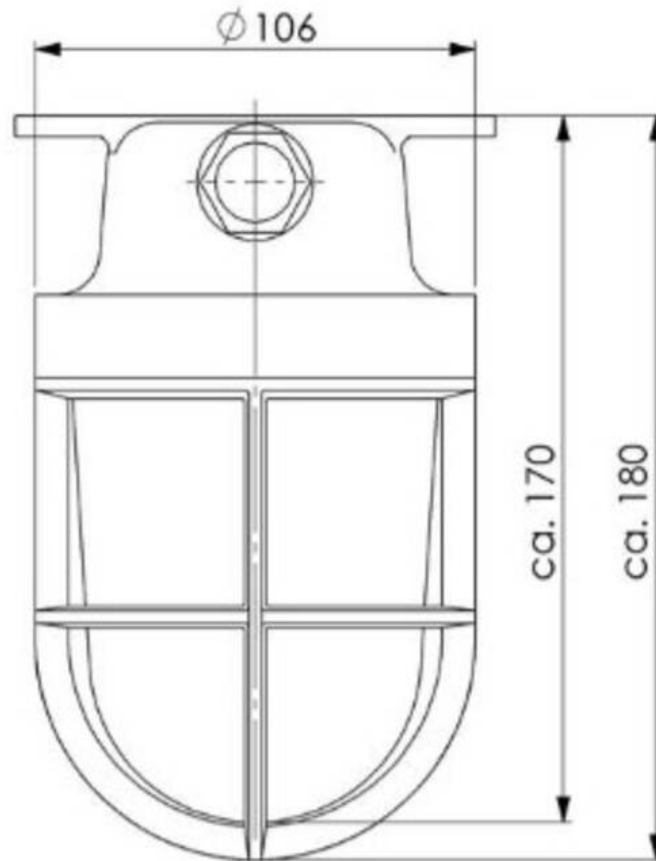
12.05.2026

Your Contact:

**WISKA India Pvt. Ltd.**

Mr. Omkar Ashar · Unit No.247/248,Raheja Tesla Industrial District II , Edison Bldg No.-1A,  
Plot No.GEN2/1/C/PART, TTC Industrial Area, MIDC, Juinagar, Navi Mumbai 400705, India

☎ +91-22-4967-1438 · ☎ +91-22-4967-1439 · o.ashar@wiska.in · www.wiska.in



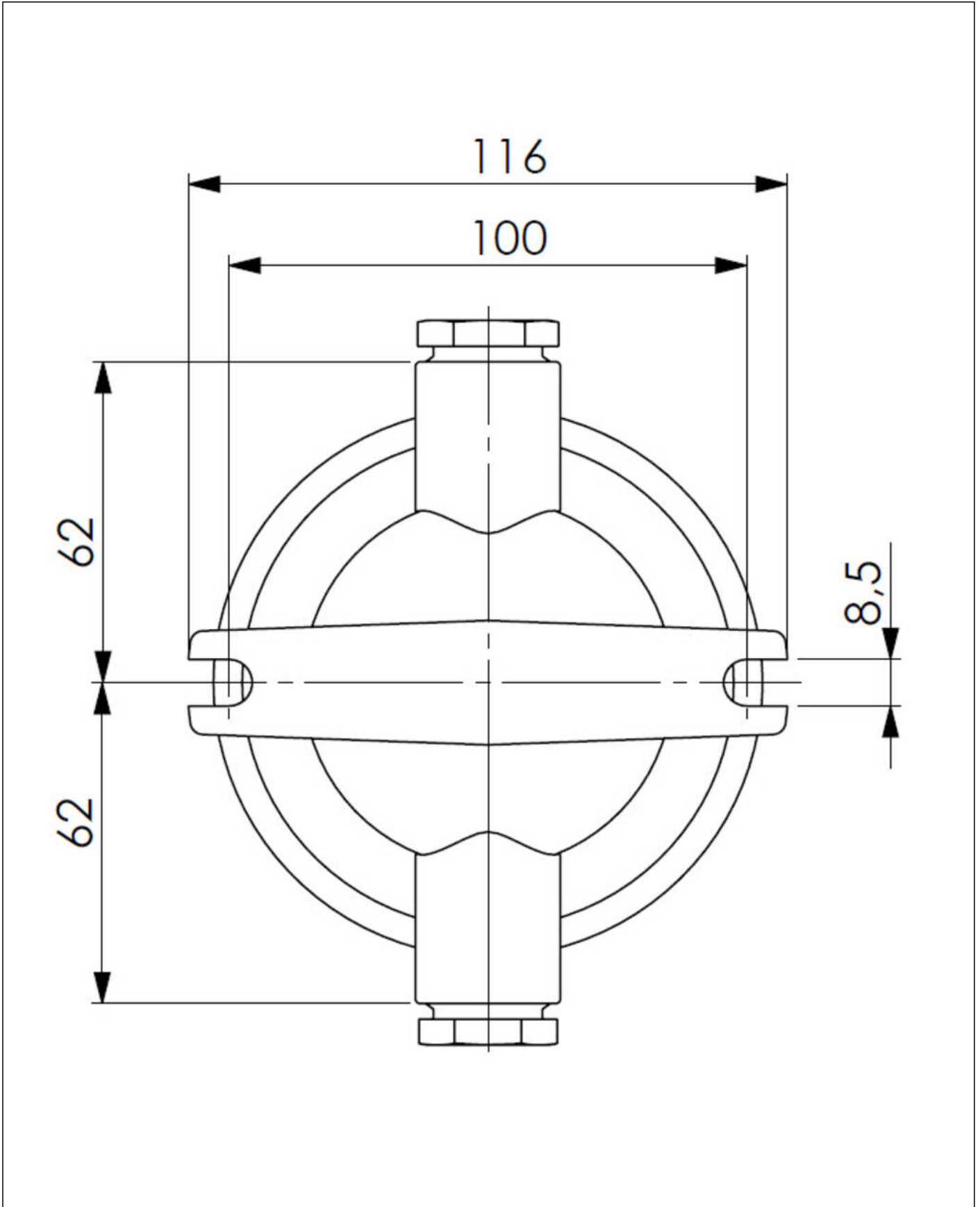
Your Contact:

**WISKA India Pvt. Ltd.**

Mr. Omkar Ashar · Unit No.247/248,Raheja Tesla Industrial District II , Edison Bldg No.-1A,  
Plot No.GEN2/1/C/PART, TTC Industrial Area, MIDC, Juinagar, Navi Mumbai 400705, India

☎ +91-22-4967-1438 · ☎ +91-22-4967-1439 · o.ashar@wiska.in · www.wiska.in

Other technical data on request / subject to change without notice

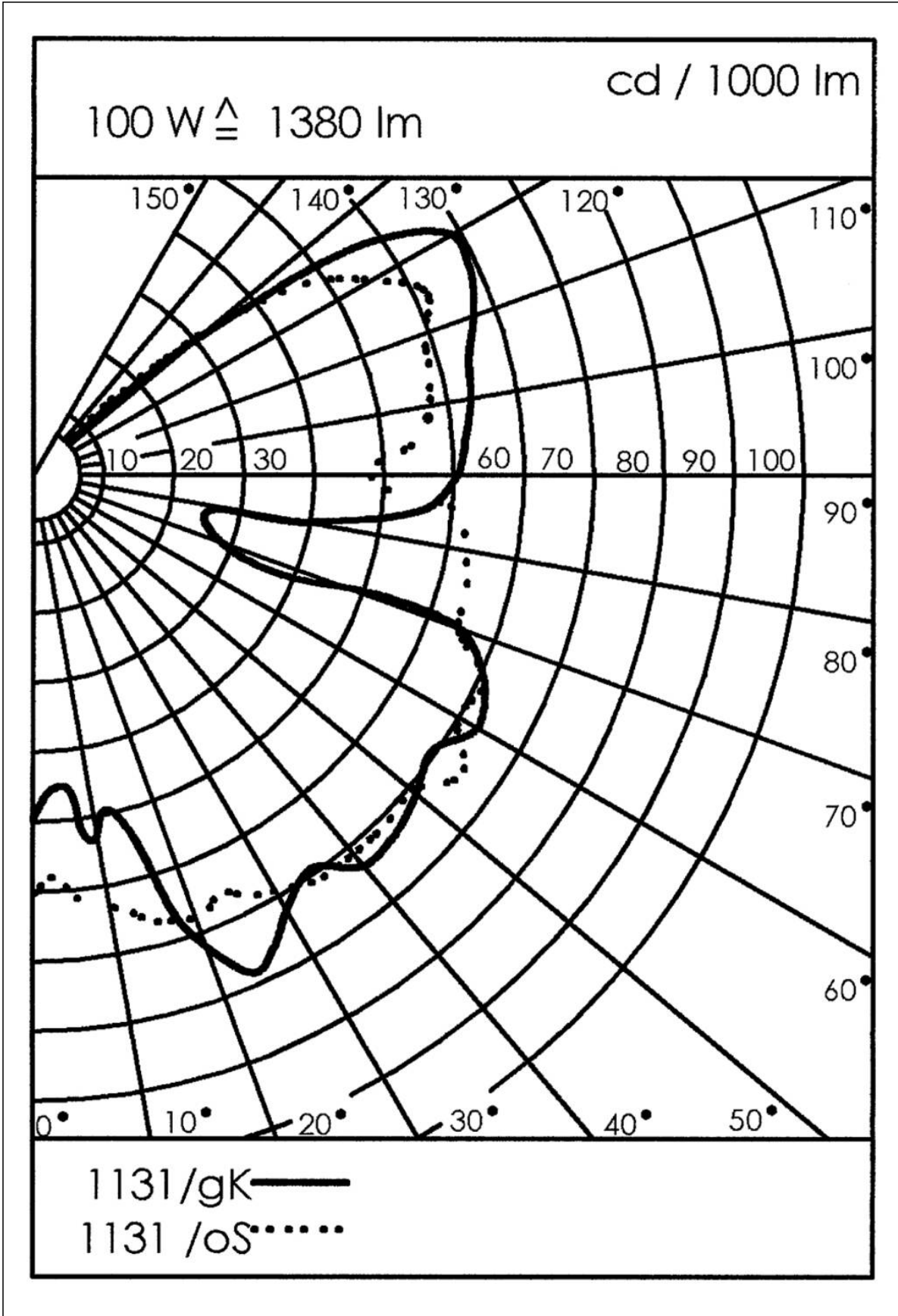


Your Contact:

**WISKA India Pvt. Ltd.**

Mr. Omkar Ashar · Unit No.247/248,Raheja Tesla Industrial District II , Edison Bldg No.-1A,  
Plot No.GEN2/1/C/PART, TTC Industrial Area, MIDC, Juinagar, Navi Mumbai 400705, India

☎ +91-22-4967-1438 · ☎ +91-22-4967-1439 · o.ashar@wiska.in · www.wiska.in



Your Contact:

WISKA India Pvt. Ltd.

Mr. Omkar Ashar · Unit No.247/248,Raheja Tesla Industrial District II , Edison Bldg No.-1A,  
Plot No.GEN2/1/C/PART, TTC Industrial Area, MIDC, Juinagar, Navi Mumbai 400705, India

☎ +91-22-4967-1438 · ☎ +91-22-4967-1439 · o.ashar@wiska.in · www.wiska.in