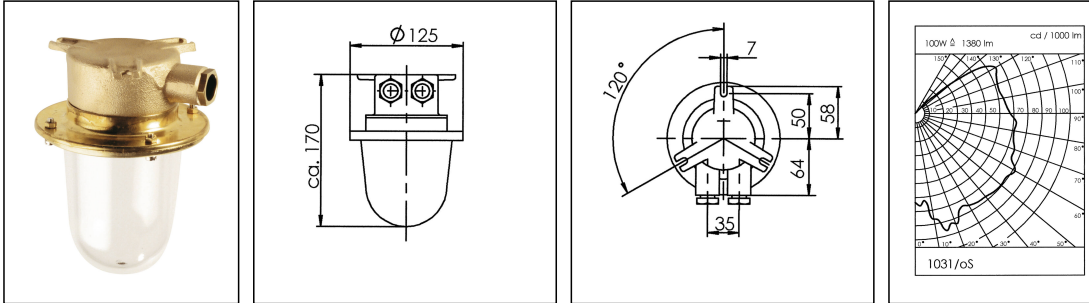



**1031/oS/clear/mT/1974-1xZ14**

Lower deck light, max. 100W E27, brass, glass clear, IP56



Products may differ in size, colour and appearance to those shown. If you require further information or customisation, please contact us directly.

<b>WISKA-Order no.</b>	10014058
<b>Type</b>	1031/oS/clear/mT/1974-1xZ14
<b>Material</b>	Brass
<b>Material globe/diffuser</b>	Glass
<b>Globe colour</b>	Clear
<b>Wattage</b>	100 W
<b>Voltage</b>	230 V
<b>Type of Voltage</b>	AC
<b>Protection class</b>	IP56
<b>Temp. range min</b>	-25 °C
<b>Temp. range max</b>	45 °C
<b>Lampholder</b>	E27
<b>Number of lampholder</b>	1 ST
<b>Lightsource</b>	variable (E27)
<b>Lightsource incl.</b>	No
<b>Bulb shape</b>	Rod shaped
<b>Type of cable gland</b>	M24x1,5 Z 14 / 12-14,5mm
<b>Material cable gland</b>	Brass
<b>Using for cable gland</b>	
<b>Type of cable</b>	armoured
<b>Ø cable diameter min</b>	12 mm
<b>Ø cable diameter max</b>	14,5 mm
<b>Mounting</b>	Surface mounting, Upside down, Ceiling
<b>Equipment</b>	with drope hole
<b>External dimensions LxWxH</b>	170x125mm

Your Contact:

WISKA India Pvt. Ltd.

Mr. Omkar Ashar · Unit No.247/248,Raheja Tesla Industrial District II , Edison Bldg No.-1A,  
Plot No.GEN2/1/C/PART, TTC Industrial Area, MIDC, Juinagar, Navi Mumbai 400705, India

☎ +91-22-4967-1438 · ☎ +91-22-4967-1439 · o.ashar@wiska.in · www.wiska.in

<b>Weight</b>	1,42 kg
<b>Tariff number</b>	94051990

Equipment:

- above 75W incandescent lamp we recommend a branching box

#### Recommended accessories

<b>SP-1160 Wall bracket 60mm</b>	22000351
----------------------------------	----------

#### Spare parts

<b>SP-1900/mT/clear</b>	22000293
<b>SP-1940 Flange with glass globe</b>	22000310
<b>SP-1974 Lampholder E27, PPS, Signal</b>	22001019

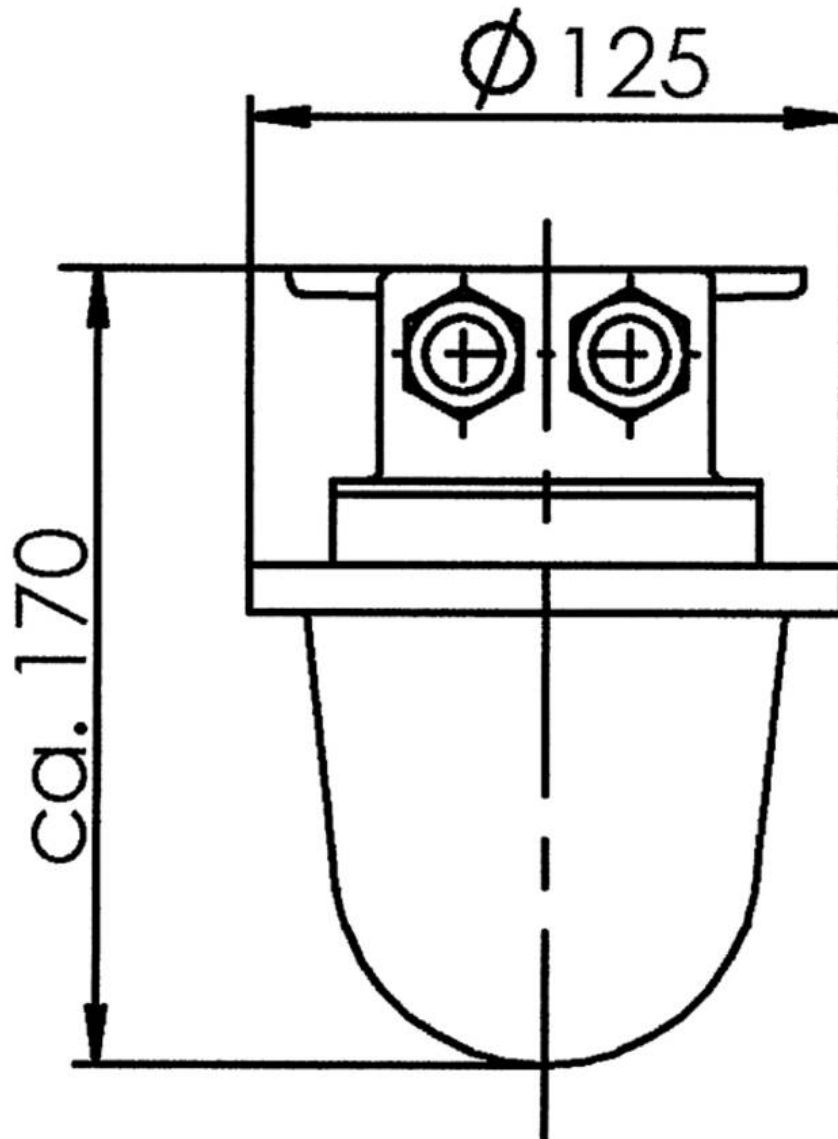
12.05.2026

Your Contact:

**WISKA India Pvt. Ltd.**

Mr. Omkar Ashar · Unit No.247/248,Raheja Tesla Industrial District II , Edison Bldg No.-1A,  
Plot No.GEN2/1/C/PART, TTC Industrial Area, MIDC, Juinagar, Navi Mumbai 400705, India

☎ +91-22-4967-1438 · ☎ +91-22-4967-1439 · o.ashar@wiska.in · www.wiska.in



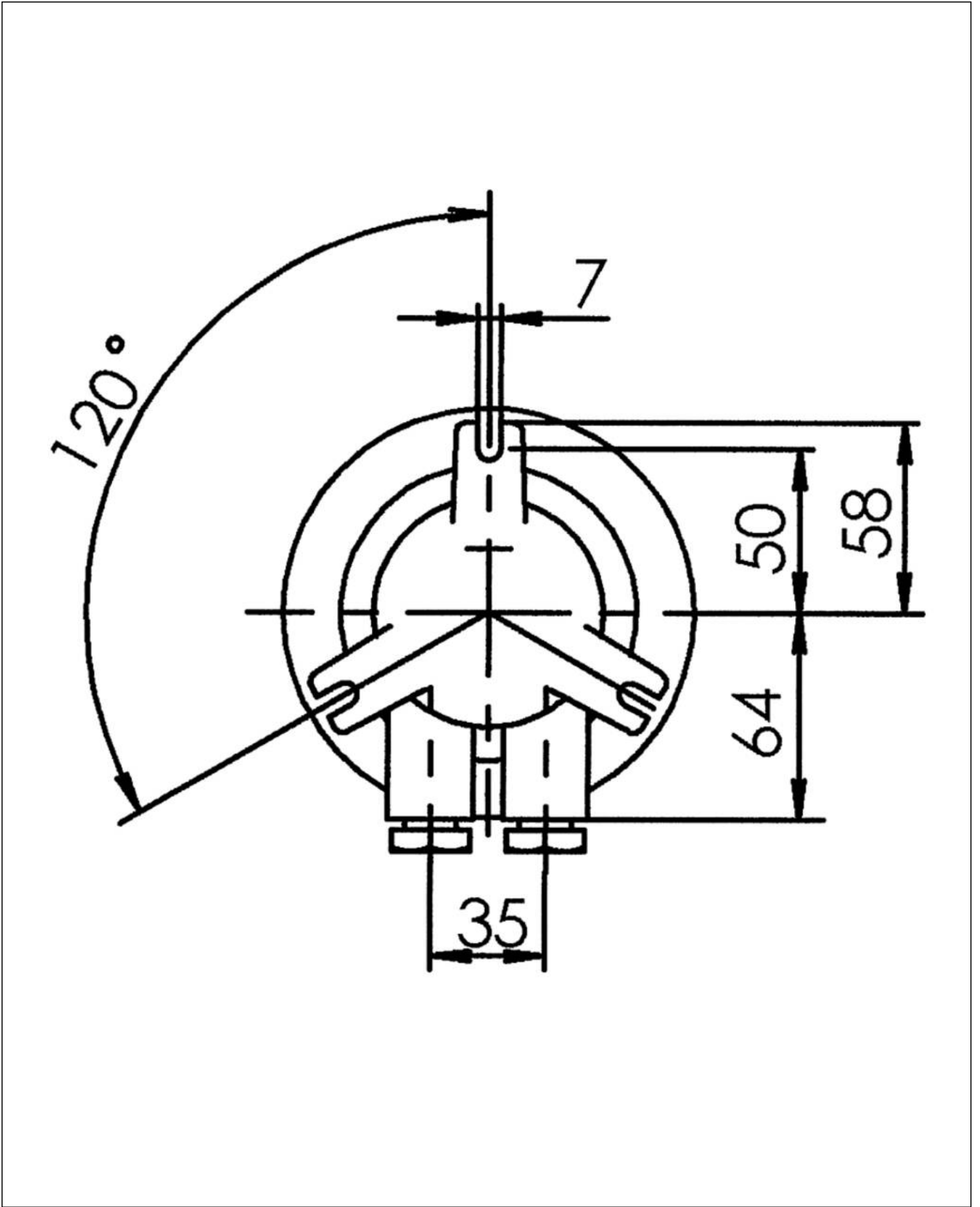
Your Contact:

**WISKA India Pvt. Ltd.**

Mr. Omkar Ashar · Unit No.247/248,Raheja Tesla Industrial District II , Edison Bldg No.-1A,  
Plot No.GEN2/1/C/PART, TTC Industrial Area, MIDC, Juinagar, Navi Mumbai 400705, India

☎ +91-22-4967-1438 · ☎ +91-22-4967-1439 · o.ashar@wiska.in · www.wiska.in

Other technical data on request / subject to change without notice

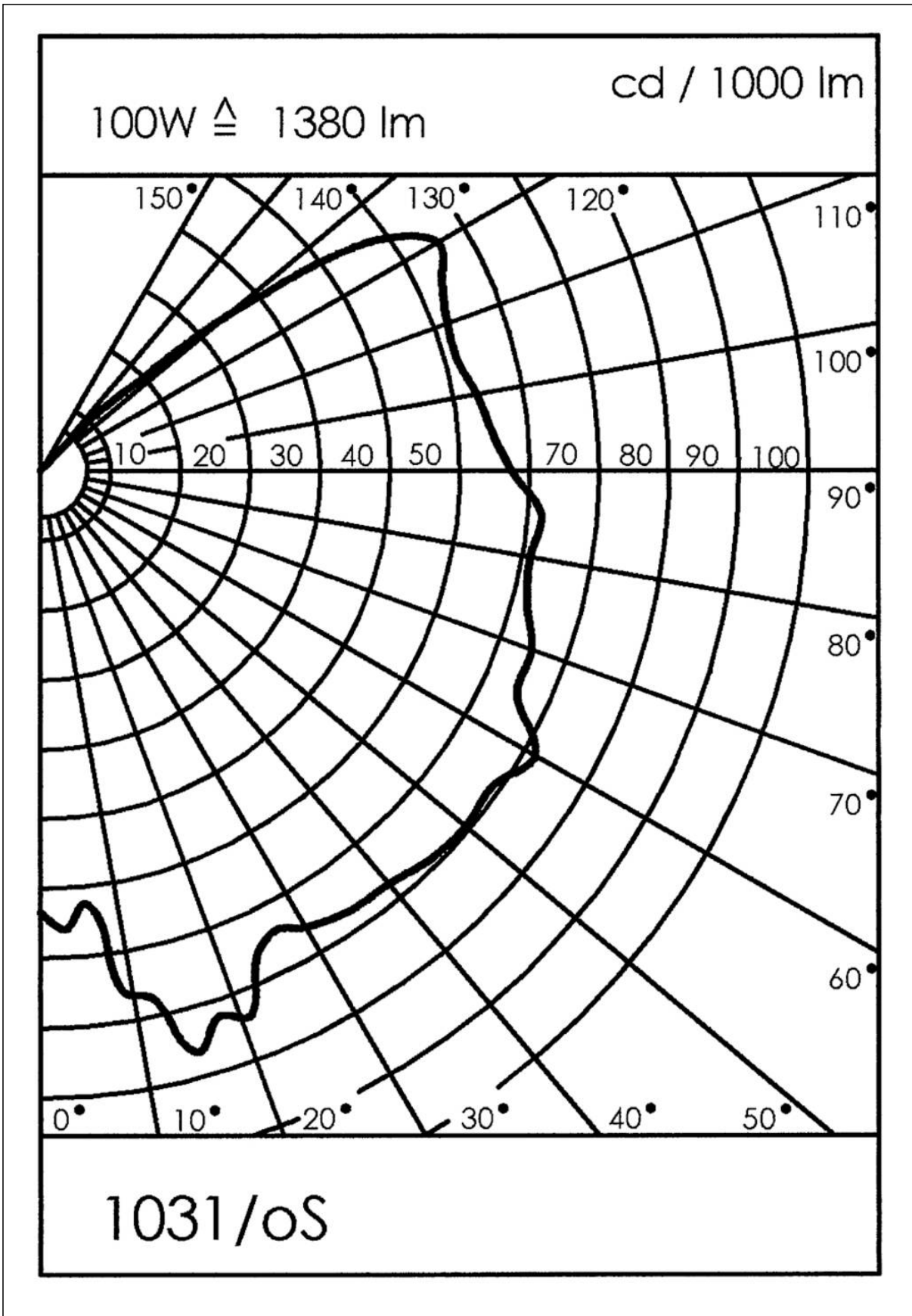


Your Contact:

**WISKA India Pvt. Ltd.**

Mr. Omkar Ashar · Unit No.247/248, Raheja Tesla Industrial District II , Edison Bldg No.-1A,  
Plot No.GEN2/1/C/PART, TTC Industrial Area, MIDC, Juinagar, Navi Mumbai 400705, India

☎ +91-22-4967-1438 · ☎ +91-22-4967-1439 · o.ashar@wiska.in · www.wiska.in



Your Contact:

WISKA India Pvt. Ltd.

Mr. Omkar Ashar · Unit No.247/248, Raheja Tesla Industrial District II , Edison Bldg No.-1A,  
Plot No.GEN2/1/C/PART, TTC Industrial Area, MIDC, Juinagar, Navi Mumbai 400705, India

☎ +91-22-4967-1438 · ☎ +91-22-4967-1439 · o.ashar@wiska.in · www.wiska.in

Other technical data on request / subject to change without notice