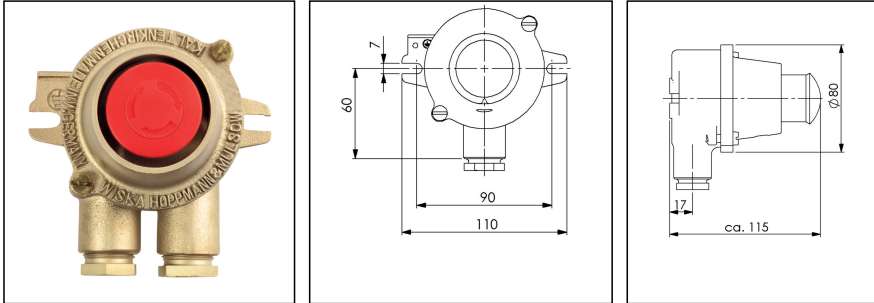


722/AR-1xZ14

Emergency-off push button, 2-poles, brass, IP56



Products may differ in size, colour and appearance to those shown. If you require further information or customisation, please contact us directly.

| | |
|------------------------------|---|
| WISKA-Order no. | 10014344 |
| Type | 722/AR-1xZ14 |
| Voltage | 230 V |
| Type of Voltage | AC |
| Current | 6 A |
| Protection class | IP56 |
| Material | Brass |
| Using for cable gland |  |
| Ø cable diameter min | 12 mm |
| Ø cable diameter max | 14,5 mm |
| Type of cable | armoured |
| Type of cable gland | M 24 x 1,5 |
| Mounting | Surface mounting |
| Temp. range min | -25 °C |
| Temp. range max | 45 °C |
| Type of switch | Push button, 1xNC, 1xNO |
| Colour | Red |
| Weight | 0,85 kg |
| Variations | on request |
| Tariff number | 85363010 |

Spare parts

| | |
|---------------------------------|----------|
| SP-1823 AR EMERGENCY-OFF | 22000542 |
|---------------------------------|----------|

Your Contact:

WISKA India Pvt. Ltd.

Mr. Omkar Ashar · Unit No.247/248,Raheja Tesla Industrial District II , Edison Bldg No.-1A,
Plot No.GEN2/1/C/PART, TTC Industrial Area, MIDC, Juinagar, Navi Mumbai 400705, India

☎ +91-22-4967-1438 · ☎ +91-22-4967-1439 · o.ashar@wiska.in · www.wiska.in

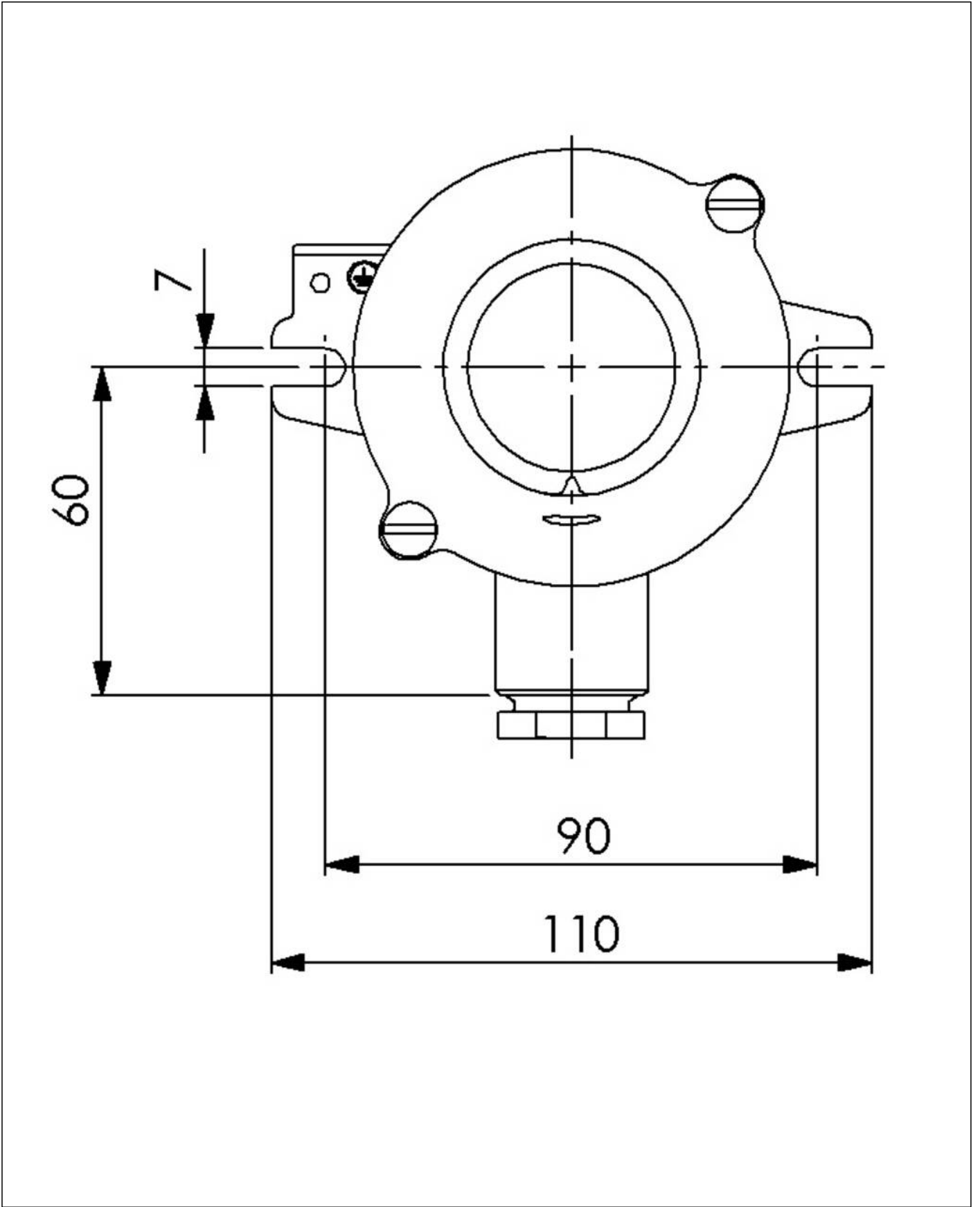
23.05.2026

Your Contact:

WISKA India Pvt. Ltd.

Mr. Omkar Ashar · Unit No.247/248,Raheja Tesla Industrial District II , Edison Bldg No.-1A,
Plot No.GEN2/1/C/PART, TTC Industrial Area, MIDC, Juinagar, Navi Mumbai 400705, India

☎ +91-22-4967-1438 · ☎ +91-22-4967-1439 · o.ashar@wiska.in · www.wiska.in



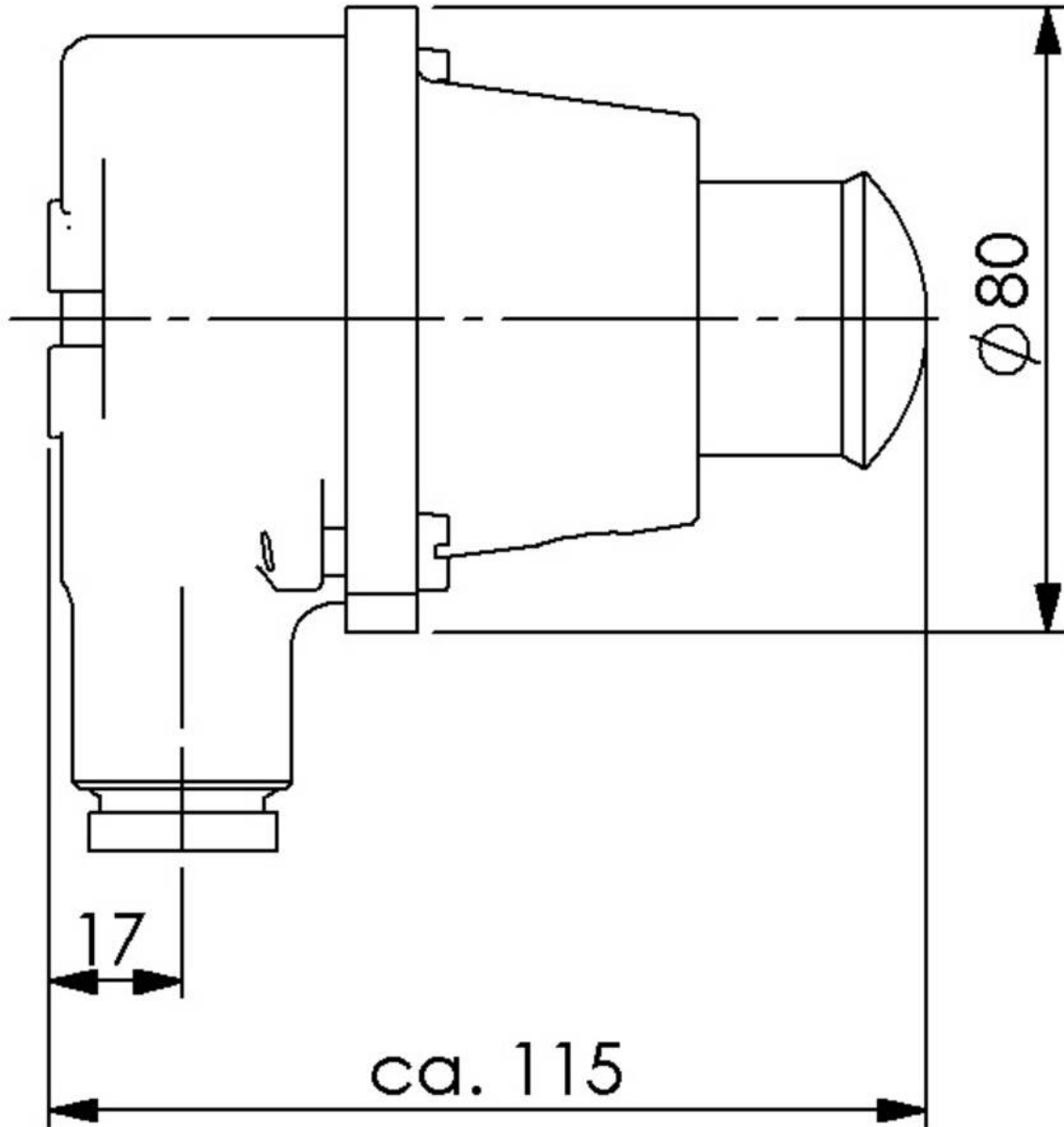
Your Contact:

WISKA India Pvt. Ltd.

Mr. Omkar Ashar · Unit No.247/248,Raheja Tesla Industrial District II , Edison Bldg No.-1A,
Plot No.GEN2/1/C/PART, TTC Industrial Area, MIDC, Juinagar, Navi Mumbai 400705, India

☎ +91-22-4967-1438 · ☎ +91-22-4967-1439 · o.ashar@wiska.in · www.wiska.in

Other technical data on request / subject to change without notice



Your Contact:

WISKA India Pvt. Ltd.

Mr. Omkar Ashar · Unit No.247/248, Raheja Tesla Industrial District II, Edison Bldg No.-1A,
Plot No.GEN2/1/C/PART, TTC Industrial Area, MIDC, Juinagar, Navi Mumbai 400705, India

☎ +91-22-4967-1438 · ☎ +91-22-4967-1439 · o.ashar@wiska.in · www.wiska.in

Other technical data on request / subject to change without notice