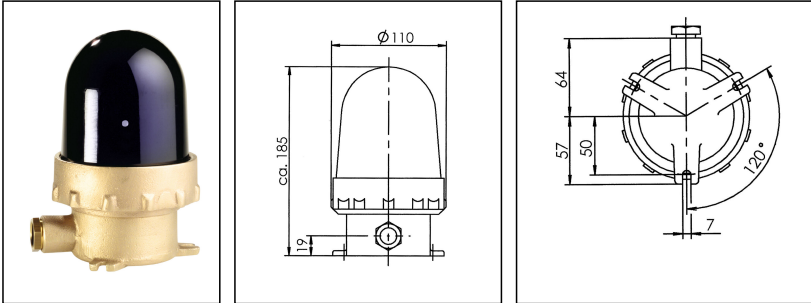
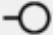


1004/bu/1974-1xZ14

Direction lantern with point 25W 230V E27 IP56 glass blue



Products may differ in size, colour and appearance to those shown. If you require further information or customisation, please contact us directly.

WISKA-Order no.	10014677
Type	1004/bu/1974-1xZ14
Material	Brass
Material globe/diffuser	Glass
Globe colour	Blue
Wattage	25 W
Power[^]	1 x 25 W
Voltage max. (V)	230 V
Protection class	IP56
Operational areas	Outdoor
Temp. range min	-25 °C
Temp. range max	40 °C
Lampholder	E27
Number of lampholder	1 ST
Lightsource	variable (E27)
Lightsource incl.	No
Type of cable gland	M24x1,5 Z 14 / 12-14,5mm
Using for cable gland	
Material cable gland	Brass
Ø cable diameter min	12 mm
Ø cable diameter max	14,5 mm
Mounting	Upside, Surface mounting
External dimensions LxWxH	185x110mm
Weight	1,83 kg
Equipment	Illuminating point

Your Contact:

WISKA India Pvt. Ltd.

Mr. Omkar Ashar · Unit No.247/248,Raheja Tesla Industrial District II , Edison Bldg No.-1A,
Plot No.GEN2/1/C/PART, TTC Industrial Area, MIDC, Juinagar, Navi Mumbai 400705, India

☎ +91-22-4967-1438 · ☎ +91-22-4967-1439 · o.ashar@wiska.in · www.wiska.in

Tariff number

94051990

Equipment:

- 1004 = with illuminating point red or blue, distance from bridge to bow end up to 100m

Spare parts**SP-1131 Gasket**

22000863

SP-1974 Lampholder E27, PPS, Signal

22001019

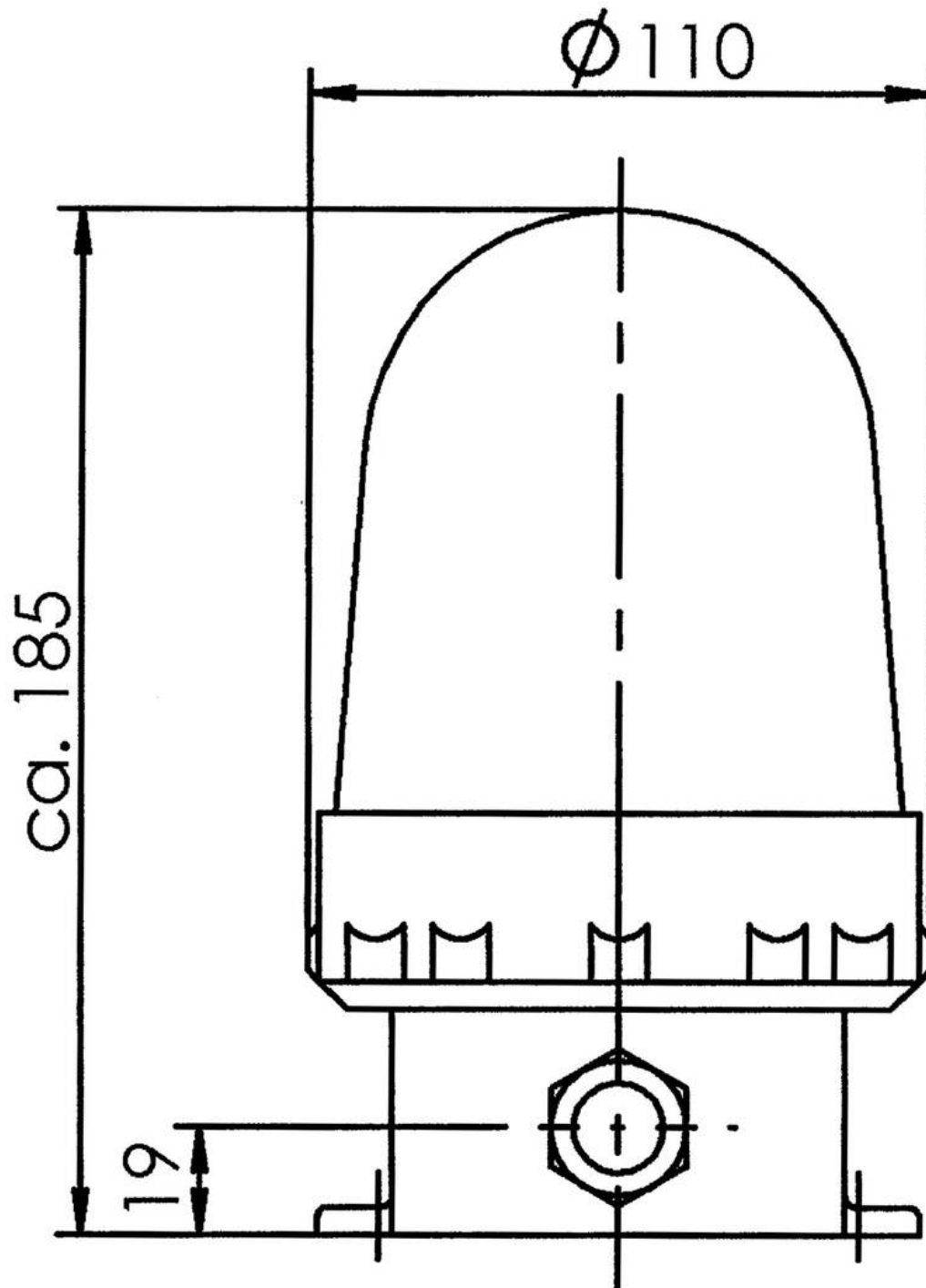
12.05.2026

Your Contact:

WISKA India Pvt. Ltd.

Mr. Omkar Ashar · Unit No.247/248,Raheja Tesla Industrial District II , Edison Bldg No.-1A,
Plot No.GEN2/1/C/PART, TTC Industrial Area, MIDC, Juinagar, Navi Mumbai 400705, India

☎ +91-22-4967-1438 · ☎ +91-22-4967-1439 · o.ashar@wiska.in · www.wiska.in

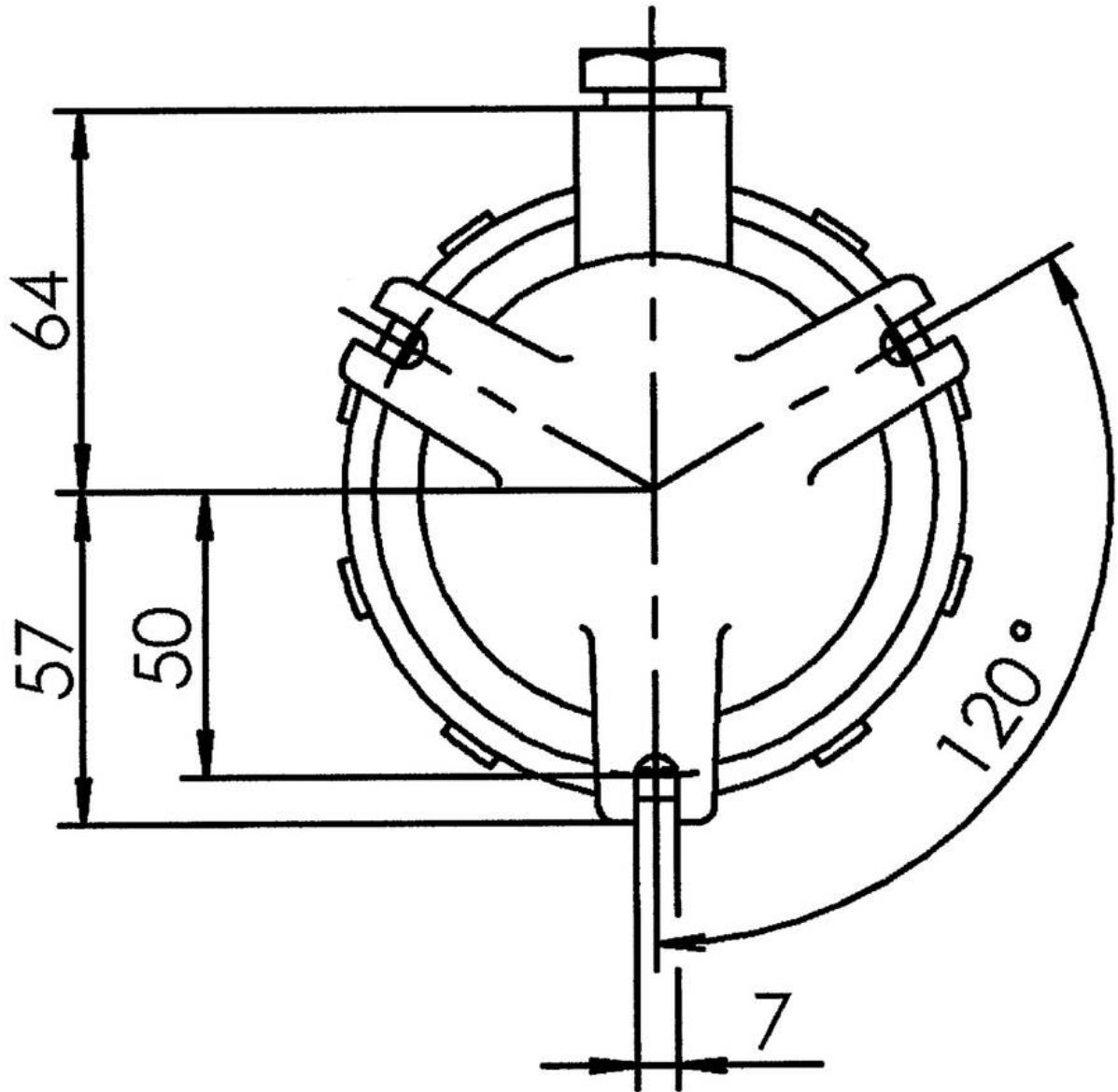


Your Contact:

WISKA India Pvt. Ltd.

Mr. Omkar Ashar · Unit No.247/248, Raheja Tesla Industrial District II , Edison Bldg No.-1A,
Plot No.GEN2/1/C/PART, TTC Industrial Area, MIDC, Juinagar, Navi Mumbai 400705, India

☎ +91-22-4967-1438 · ☎ +91-22-4967-1439 · o.ashar@wiska.in · www.wiska.in



Your Contact:

WISKA India Pvt. Ltd.

Mr. Omkar Ashar · Unit No.247/248,Raheja Tesla Industrial District II , Edison Bldg No.-1A,
Plot No.GEN2/1/C/PART, TTC Industrial Area, MIDC, Juinagar, Navi Mumbai 400705, India

☎ +91-22-4967-1438 · ☎ +91-22-4967-1439 · o.ashar@wiska.in · www.wiska.in