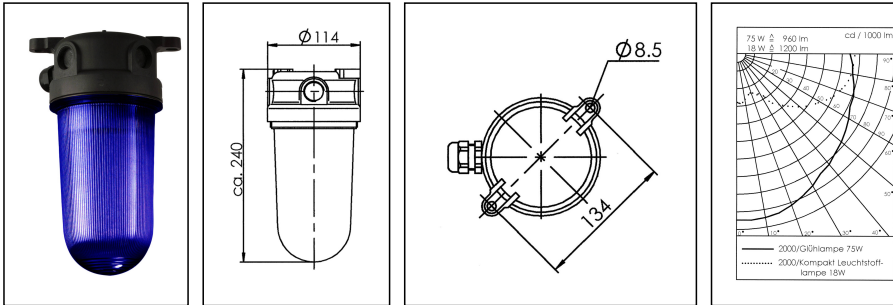



2000/E27/bu

Multi-purpose luminaire 2000 IP68, plastic, E27 max. 75W, Cover blue



Products may differ in size, colour and appearance to those shown. If you require further information or customisation, please contact us directly.



WISKA-Order no.	10015030
Type	2000/E27/bu
Material	PBT
Material globe/diffuser	Polycarbonate
Globe colour	Blue
Power[^]	1 x 75 W
Wattage	75 W
Voltage	230 V
Protection class	IP68 (2,0 bar 30min)
Temp. range min	-30 °C
Temp. range max	45 °C
Lampholder	E27
Number of lampholder	1 ST
Lightsource	variable, Incandescent lamp
Lightsource incl.	No
Bulb shape	Rod shaped
Material cable gland	Polyamide
Type of cable gland	ESKV 20 PLUS / 7,5-14mm
Using for cable gland	
Ø cable diameter min	7,5 mm
Ø cable diameter max	14 mm
External dimensions LxWxH	134x240mm
Weight	0,57 kg
Approval	RMRS, DNV-GL
Colour	Black

Your Contact:

WISKA India Pvt. Ltd.

Mr. Omkar Ashar · Unit No.247/248,Raheja Tesla Industrial District II , Edison Bldg No.-1A,
Plot No.GEN2/1/C/PART, TTC Industrial Area, MIDC, Juinagar, Navi Mumbai 400705, India

+91-22-4967-1438 · +91-22-4967-1439 · o.ashar@wiska.in · www.wiska.in

Mounting	Upside down, Upside, Surface mounting, Ceiling
Equipment	4 threaded knockout entry M20
Tariff number	85318070

Equipment:

- Plastic: impact resistant, heat-and water resistant
- 4 threaded knockout entries M20
- Separate terminal to loop the armour
- 2 cable glands ESKV 20 enclosed separately

Recommended accessories

2099 Wall bracket	10015550
SP-Vibration damper light 2000	22000912

Spare parts

SP-2080 Structured globe blue	22000202
SP-2000 ST/E27 Baseplate	22000278
SP-2000 Housing M20	22000382
SP-Incandescent lamp 60W 230V E27	22000983

17.06.2026

Your Contact:

WISKA India Pvt. Ltd.

Mr. Omkar Ashar · Unit No.247/248,Raheja Tesla Industrial District II , Edison Bldg No.-1A,
Plot No.GEN2/1/C/PART, TTC Industrial Area, MIDC, Juinagar, Navi Mumbai 400705, India

☎ +91-22-4967-1438 · ☎ +91-22-4967-1439 · o.ashar@wiska.in · www.wiska.in

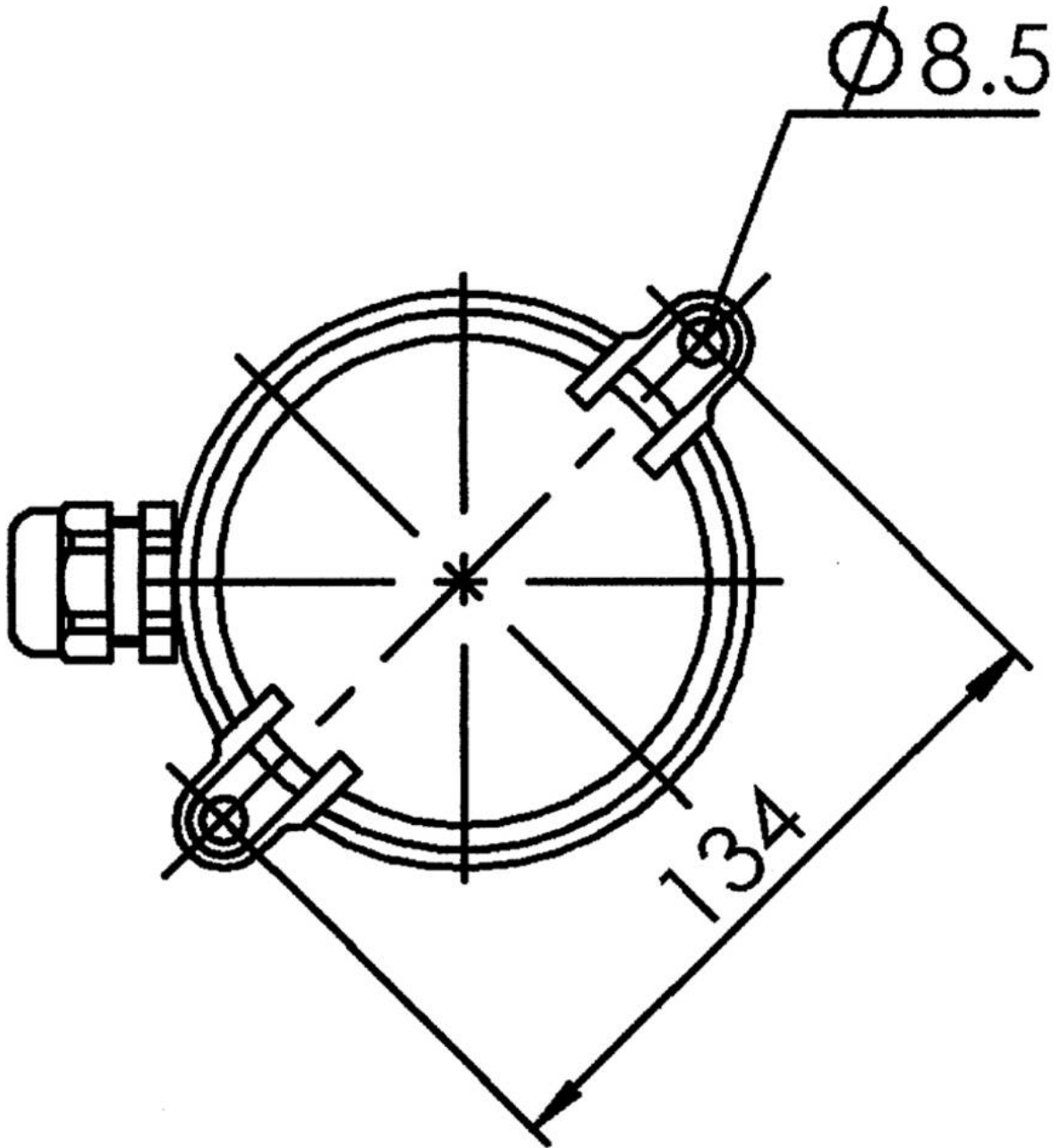


Your Contact:

WISKA India Pvt. Ltd.

Mr. Omkar Ashar · Unit No.247/248, Raheja Tesla Industrial District II , Edison Bldg No.-1A,
Plot No.GEN2/1/C/PART, TTC Industrial Area, MIDC, Juinagar, Navi Mumbai 400705, India

☎ +91-22-4967-1438 · ☎ +91-22-4967-1439 · o.ashar@wiska.in · www.wiska.in



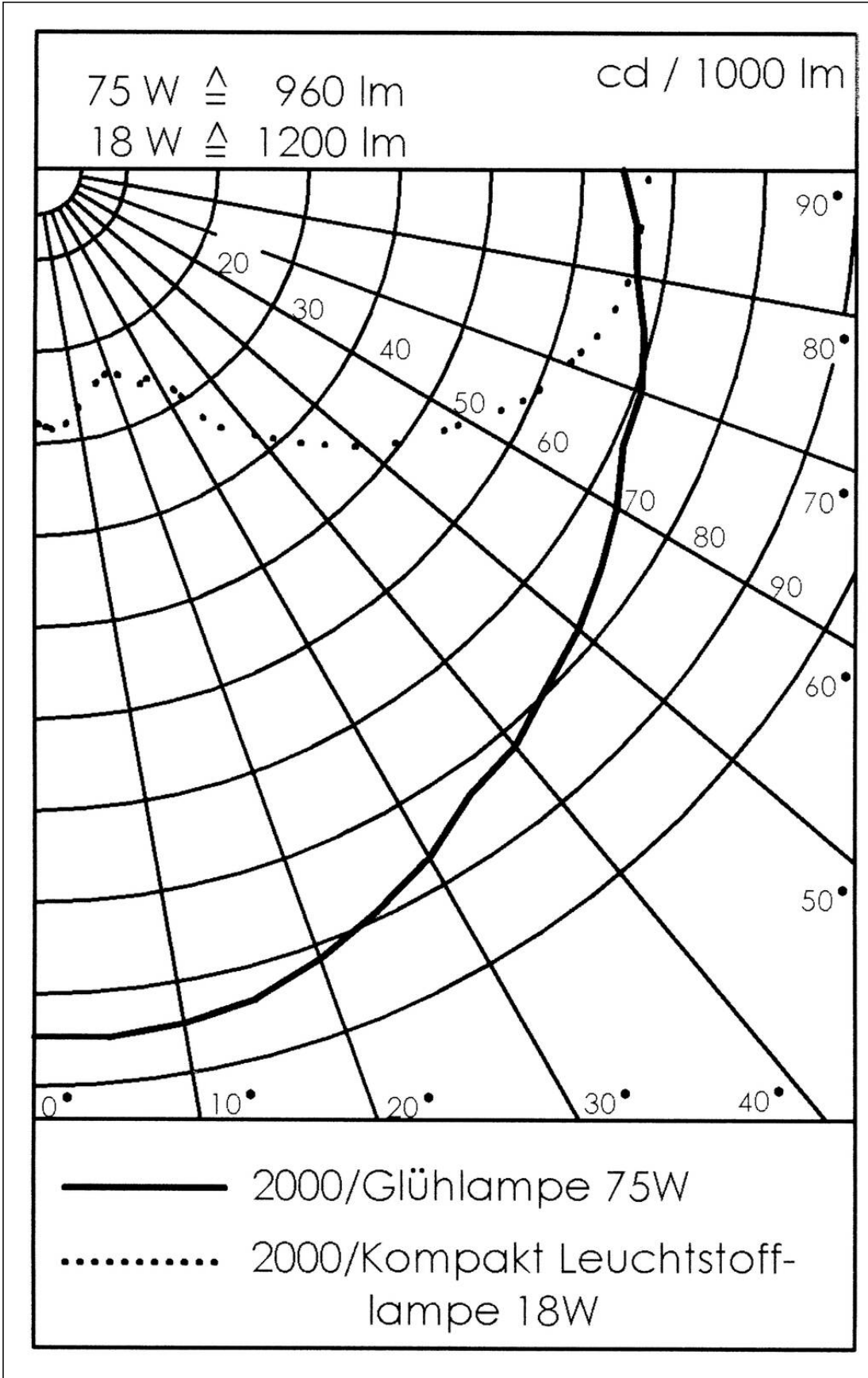
Your Contact:

WISKA India Pvt. Ltd.

Mr. Omkar Ashar · Unit No.247/248, Raheja Tesla Industrial District II , Edison Bldg No.-1A,
Plot No.GEN2/1/C/PART, TTC Industrial Area, MIDC, Juinagar, Navi Mumbai 400705, India

☎ +91-22-4967-1438 · ☎ +91-22-4967-1439 · o.ashar@wiska.in · www.wiska.in

Other technical data on request / subject to change without notice



Your Contact:

WISKA India Pvt. Ltd.

Mr. Omkar Ashar · Unit No.247/248,Raheja Tesla Industrial District II , Edison Bldg No.-1A,
Plot No.GEN2/1/C/PART, TTC Industrial Area, MIDC, Juinagar, Navi Mumbai 400705, India

☎ +91-22-4967-1438 · ☎ +91-22-4967-1439 · o.ashar@wiska.in · www.wiska.in