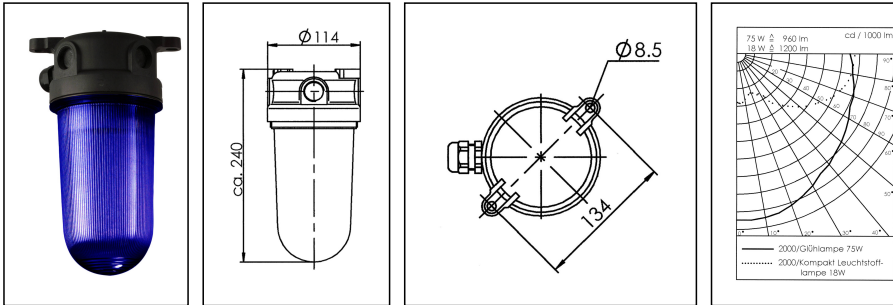



**2000/B22/bu**

Multi-purpose luminaire 2000 IP68, plastic, B22 max. 75W, Cover blue



Products may differ in size, colour and appearance to those shown. If you require further information or customisation, please contact us directly.



<b>WISKA-Order no.</b>	10015130
<b>Type</b>	2000/B22/bu
<b>Material</b>	PBT
<b>Material globe/diffuser</b>	Polycarbonate
<b>Globe colour</b>	Blue
<b>Power<sup>^</sup></b>	1 x 75 W
<b>Wattage</b>	75 W
<b>Voltage</b>	230 V
<b>Protection class</b>	IP68 (2,0 bar 30min)
<b>Temp. range min</b>	-30 °C
<b>Temp. range max</b>	45 °C
<b>Lampholder</b>	B22d
<b>Number of lampholder</b>	1 ST
<b>Lightsource</b>	variable, Incandescent lamp
<b>Lightsource incl.</b>	No
<b>Bulb shape</b>	Rod shaped
<b>Material cable gland</b>	Polyamide
<b>Type of cable gland</b>	ESKV 20 PLUS / 7,5-14mm
<b>Using for cable gland</b>	
<b>Ø cable diameter min</b>	7,5 mm
<b>Ø cable diameter max</b>	14 mm
<b>External dimensions LxWxH</b>	134x240mm
<b>Weight</b>	0,56 kg
<b>Approval</b>	RMRS, DNV-GL
<b>Colour</b>	Black

Your Contact:

WISKA India Pvt. Ltd.

Mr. Omkar Ashar · Unit No.247/248,Raheja Tesla Industrial District II , Edison Bldg No.-1A,  
Plot No.GEN2/1/C/PART, TTC Industrial Area, MIDC, Juinagar, Navi Mumbai 400705, India

+91-22-4967-1438 · +91-22-4967-1439 · o.ashar@wiska.in · www.wiska.in

<b>Mounting</b>	Upside down, Upside, Surface mounting, Ceiling
<b>Equipment</b>	4 threaded knockout entry M20
<b>Tariff number</b>	85318070

Equipment:

- Plastic: impact resistant, heat-and water resistant
- 4 threaded knockout entries M20
- Separate terminal to loop the armour
- 2 cable glands ESKV 20 enclosed separately

**Recommended accessories**

<b>2099 Wall bracket</b>	10015550
<b>SP-Vibration damper light 2000</b>	22000912

**Spare parts**

<b>SP-2080 Structured globe blue</b>	22000202
<b>SP-2000 ST/B22 Baseplate</b>	22000279
<b>SP-2000 Housing M20</b>	22000382
<b>Bulb 60W 220V B22d</b>	50080223

17.06.2026

Your Contact:

**WISKA India Pvt. Ltd.**

Mr. Omkar Ashar · Unit No.247/248,Raheja Tesla Industrial District II , Edison Bldg No.-1A,  
Plot No.GEN2/1/C/PART, TTC Industrial Area, MIDC, Juinagar, Navi Mumbai 400705, India

☎ +91-22-4967-1438 · ☎ +91-22-4967-1439 · o.ashar@wiska.in · www.wiska.in

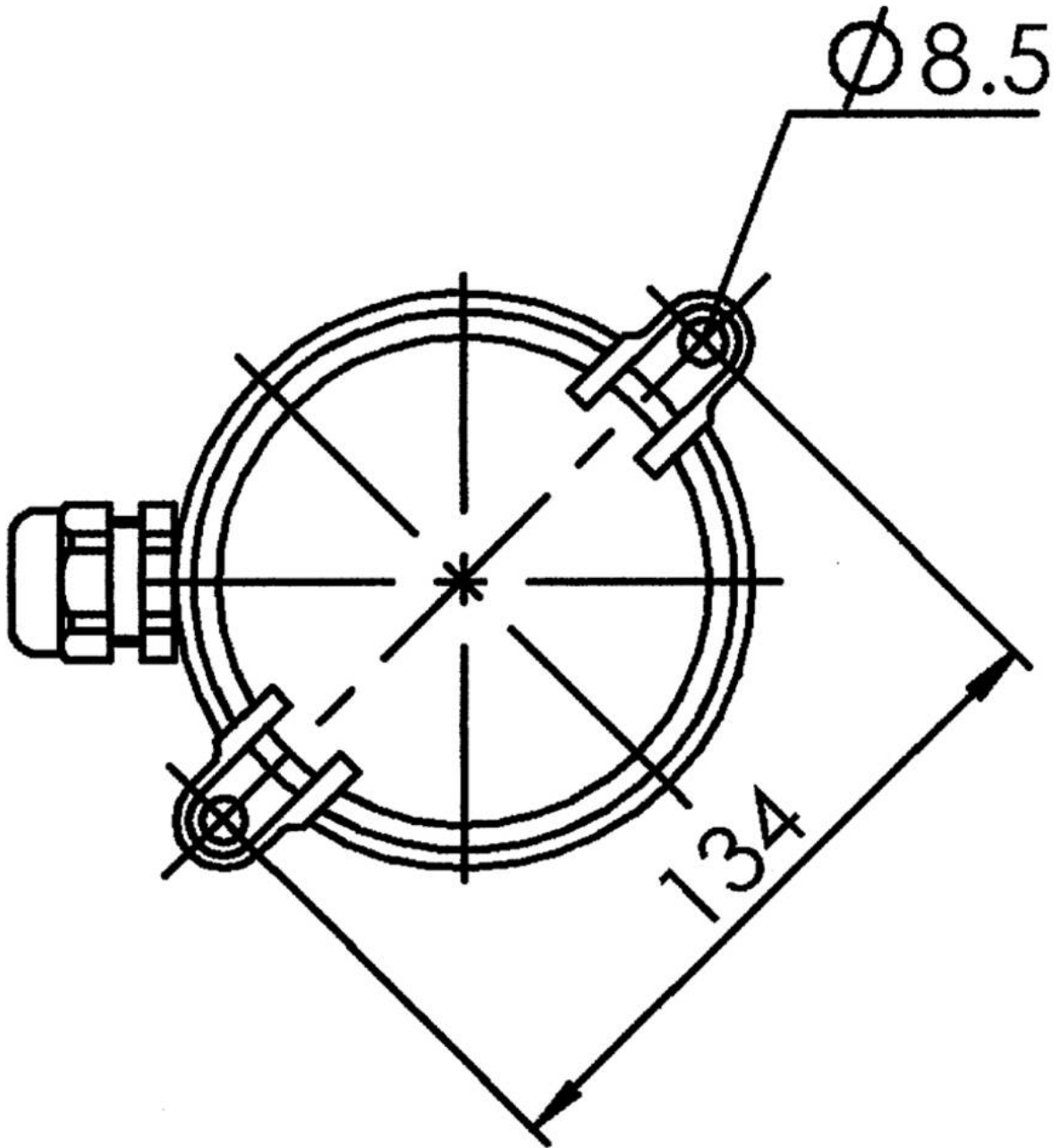


Your Contact:

**WISKA India Pvt. Ltd.**

Mr. Omkar Ashar · Unit No.247/248, Raheja Tesla Industrial District II , Edison Bldg No.-1A,  
Plot No.GEN2/1/C/PART, TTC Industrial Area, MIDC, Juinagar, Navi Mumbai 400705, India

☎ +91-22-4967-1438 · ☎ +91-22-4967-1439 · o.ashar@wiska.in · www.wiska.in



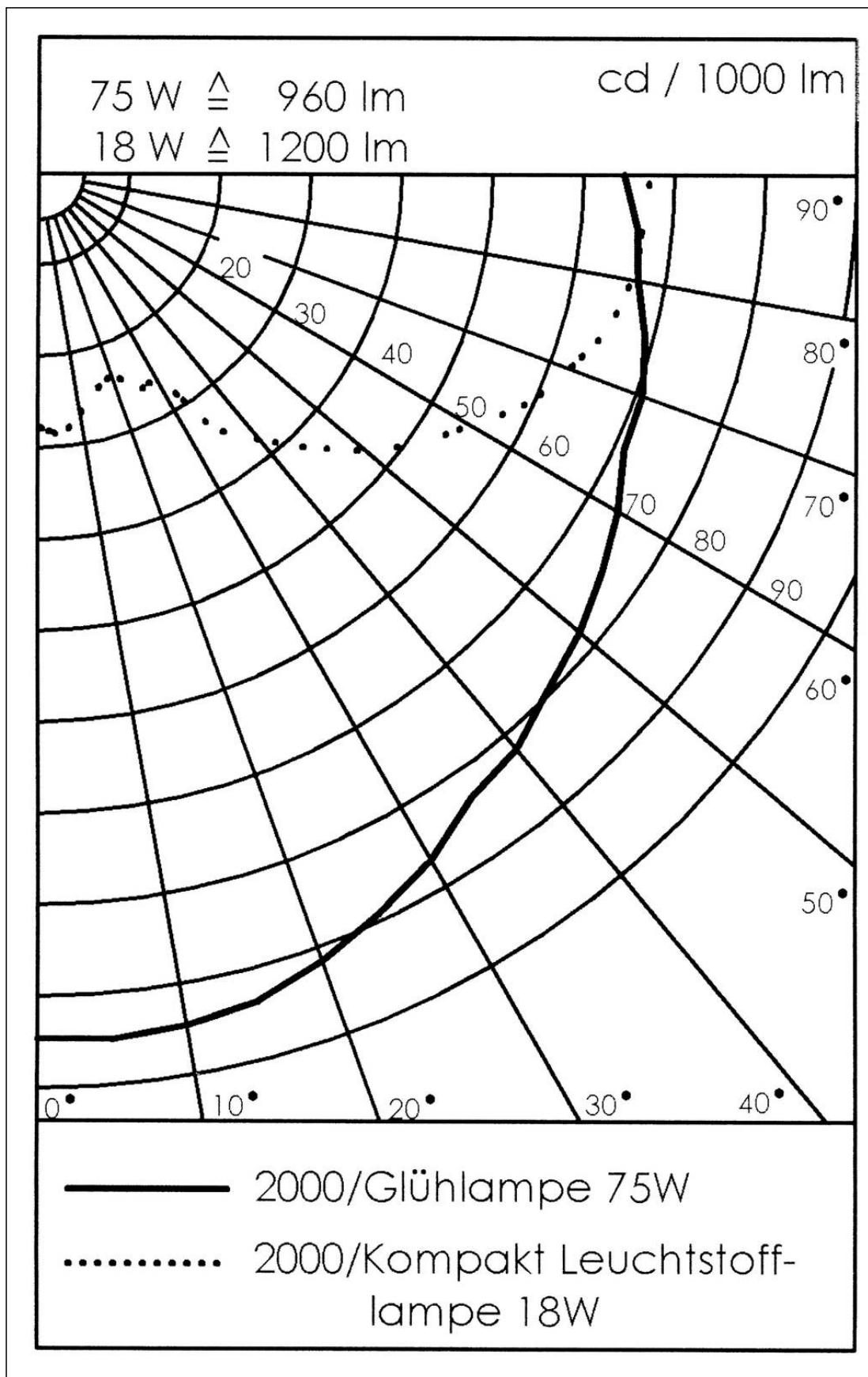
Your Contact:

**WISKA India Pvt. Ltd.**

Mr. Omkar Ashar · Unit No.247/248,Raheja Tesla Industrial District II , Edison Bldg No.-1A,  
Plot No.GEN2/1/C/PART, TTC Industrial Area, MIDC, Juinagar, Navi Mumbai 400705, India

☎ +91-22-4967-1438 · ☎ +91-22-4967-1439 · o.ashar@wiska.in · www.wiska.in

Other technical data on request / subject to change without notice



Your Contact:

WISKA India Pvt. Ltd.

Mr. Omkar Ashar · Unit No.247/248,Raheja Tesla Industrial District II , Edison Bldg No.-1A,  
Plot No.GEN2/1/C/PART, TTC Industrial Area, MIDC, Juinagar, Navi Mumbai 400705, India

☎ +91-22-4967-1438 · ☎ +91-22-4967-1439 · o.ashar@wiska.in · www.wiska.in