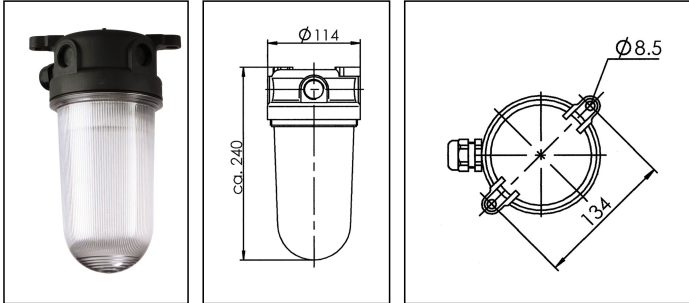



2000/G24-q-1/13W/clear

Multi-purpose luminaire 2000, IP68, plastic, G24-q1 13W, Cover clear



Products may differ in size, colour and appearance to those shown. If you require further information or customisation, please contact us directly.

WISKA-Order no.	10015300
Type	2000/G24-q-1/13W/clear
Material	PBT
Material globe/diffuser	Polycarbonate
Globe colour	Clear
Power[^]	1 x 13 W
Wattage	13 W
Voltage	230 V
Frequence	50/60 Hz
Protection class	IP68 (2,0 bar 30min)
Temp. range min	-25 °C
Temp. range max	45 °C
Lampholder	G24 q-1
Number of lampholder	1 ST
Lightsource	Fluorescent lamp
Lightsource incl.	No
Bulb shape	rod shaped
Power supply, electronic	50-60Hz, 220-230VAC
Material cable gland	Polyamide
Type of cable gland	ESKV 20 PLUS / 7,5-14mm
Using for cable gland	
Ø cable diameter min	7,5 mm
Ø cable diameter max	14 mm
External dimensions LxWxH	134x240mm
Weight	0,68 kg

Your Contact:

WISKA India Pvt. Ltd.

Mr. Omkar Ashar · Unit No.247/248,Raheja Tesla Industrial District II , Edison Bldg No.-1A,
Plot No.GEN2/1/C/PART, TTC Industrial Area, MIDC, Juinagar, Navi Mumbai 400705, India

☎ +91-22-4967-1438 · ☎ +91-22-4967-1439 · o.ashar@wiska.in · www.wiska.in

Colour	Black
Mounting	Surface mounting, Upside down, Ceiling, Upside
Equipment	4 threaded knockout entry M20
Tariff number	85318070

Equipment:

- Plastic: impact resistant, heat-and water resistant
- 4 threaded knockout entries M 20
- Separate terminal to loop the armour
- Electronic ballast 220-240V, 50/60Hz
- 2 cable glands ESKV 20 PLUS enclosed separately

Recommended accessories

2099 Wall bracket	10015550
SP-Vibration damper light 2000	22000912

Spare parts

SP-2080 Structured globe clear	22000201
SP-TC-D/E 13 Fluorescent lamp 13W G24q-1	22000284
SP-2000 ST/q-1 Baseplate 50/60Hz 13W	22000286
SP-2000 Housing M20	22000382

17.06.2026

Your Contact:

WISKA India Pvt. Ltd.

Mr. Omkar Ashar · Unit No.247/248,Raheja Tesla Industrial District II , Edison Bldg No.-1A,
Plot No.GEN2/1/C/PART, TTC Industrial Area, MIDC, Juinagar, Navi Mumbai 400705, India

☎ +91-22-4967-1438 · ☎ +91-22-4967-1439 · o.ashar@wiska.in · www.wiska.in



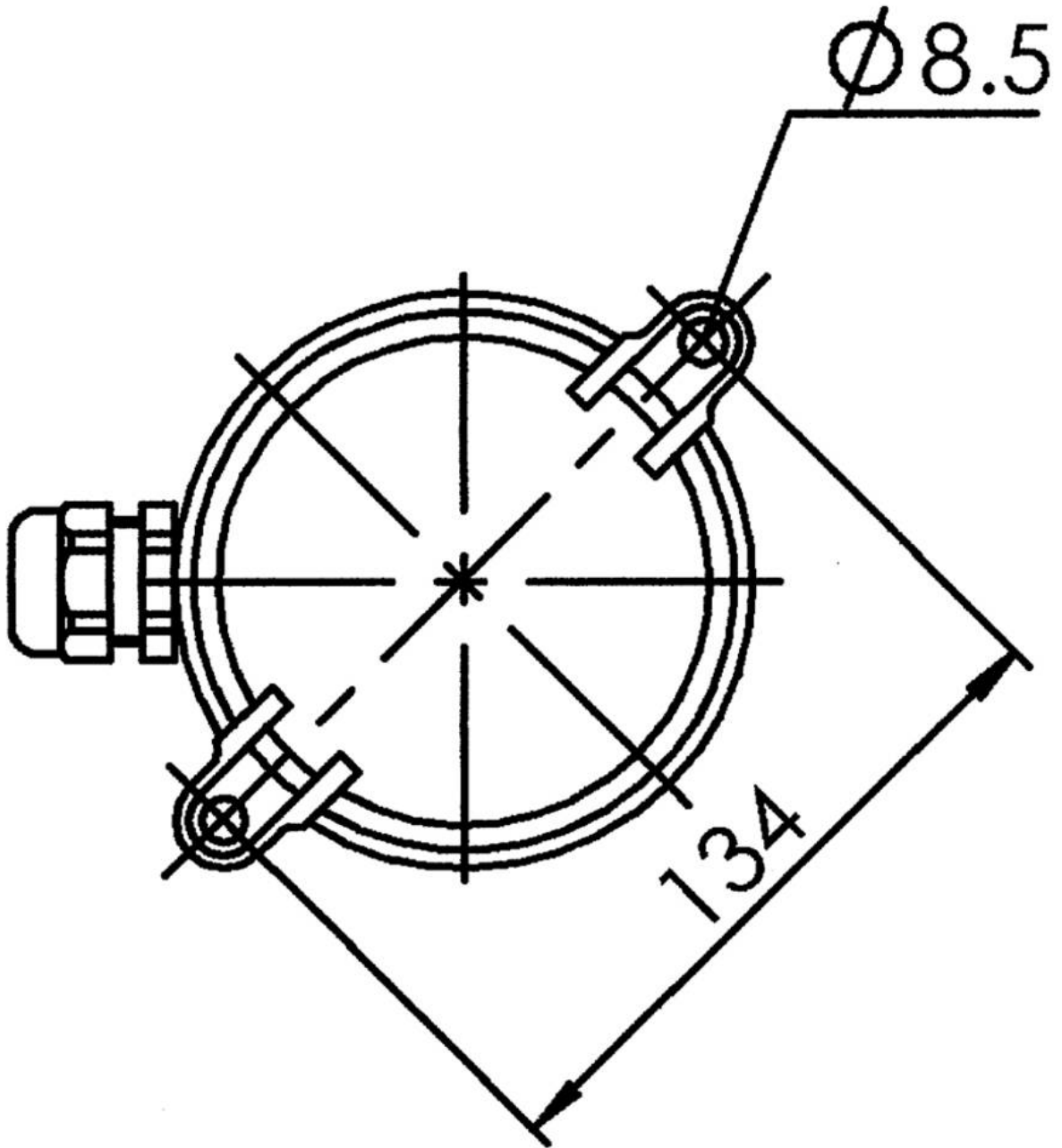
Your Contact:

WISKA India Pvt. Ltd.

Mr. Omkar Ashar · Unit No.247/248, Raheja Tesla Industrial District II , Edison Bldg No.-1A,
Plot No.GEN2/1/C/PART, TTC Industrial Area, MIDC, Juinagar, Navi Mumbai 400705, India

☎ +91-22-4967-1438 · ☎ +91-22-4967-1439 · o.ashar@wiska.in · www.wiska.in

Other technical data on request / subject to change without notice



Your Contact:

WISKA India Pvt. Ltd.

Mr. Omkar Ashar · Unit No.247/248,Raheja Tesla Industrial District II , Edison Bldg No.-1A,
Plot No.GEN2/1/C/PART, TTC Industrial Area, MIDC, Juinagar, Navi Mumbai 400705, India

☎ +91-22-4967-1438 · ☎ +91-22-4967-1439 · o.ashar@wiska.in · www.wiska.in

Other technical data on request / subject to change without notice