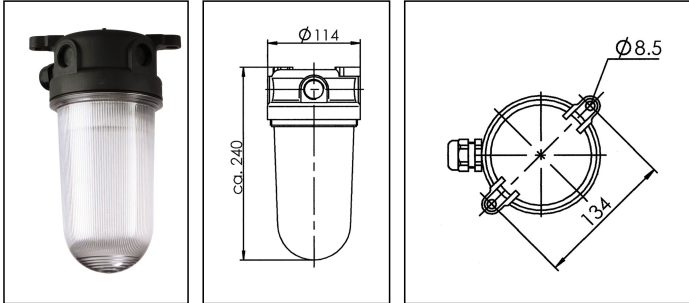
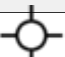


2000/B 220V/AC/clear

Multi-purpose light with flash electronic 5Ws 220V IP68, clear cover



Products may differ in size, colour and appearance to those shown. If you require further information or customisation, please contact us directly.

WISKA-Order no.	10015450
Type	2000/B 220V/AC/clear
Material	PBT
Material globe/diffuser	Polycarbonate
Globe colour	Clear
Voltage	220 V
Type of Voltage	AC
Protection class	IP68
Temp. range min	-25 °C
Temp. range max	45 °C
Number of lampholder	1 ST
Flash-energy	5Ws 60/Min
Lightsource	Flashlight
Type of cable gland	ESKV 20 PLUS / 7,5-14mm
Ø cable diameter min	7,5 mm
Ø cable diameter max	14 mm
Using for cable gland	
Material cable gland	Polyamide
Equipment	4 threaded knockout entry M20
Mounting	Ceiling, Upside down, Upside, Surface mounting
Colour	Black
External dimensions LxWxH	134x240mm
Weight	0,6 kg

Equipment:

Your Contact:

WISKA India Pvt. Ltd.

Mr. Omkar Ashar · Unit No.247/248,Raheja Tesla Industrial District II , Edison Bldg No.-1A,
Plot No.GEN2/1/C/PART, TTC Industrial Area, MIDC, Juinagar, Navi Mumbai 400705, India

☎ +91-22-4967-1438 · ☎ +91-22-4967-1439 · o.ashar@wiska.in · www.wiska.in

- Plastic: impact resistant, heat-and water resistant
- 4 threaded knockout entries M20
- Separate terminal to loop the armour
- Flash electronic 5Ws (60 flashes/minute)
- 2 cable glands ESKV 20 enclosed separately

Spare parts

SP-2000 BL 5 W/S 220V Baseplate flash	22000187
SP-2080 Structured globe clear	22000201
SP-2000 Housing M20	22000382

27.06.2026

Your Contact:

WISKA India Pvt. Ltd.

Mr. Omkar Ashar · Unit No.247/248,Raheja Tesla Industrial District II , Edison Bldg No.-1A,
Plot No.GEN2/1/C/PART, TTC Industrial Area, MIDC, Juinagar, Navi Mumbai 400705, India

☎ +91-22-4967-1438 · ☎ +91-22-4967-1439 · o.ashar@wiska.in · www.wiska.in

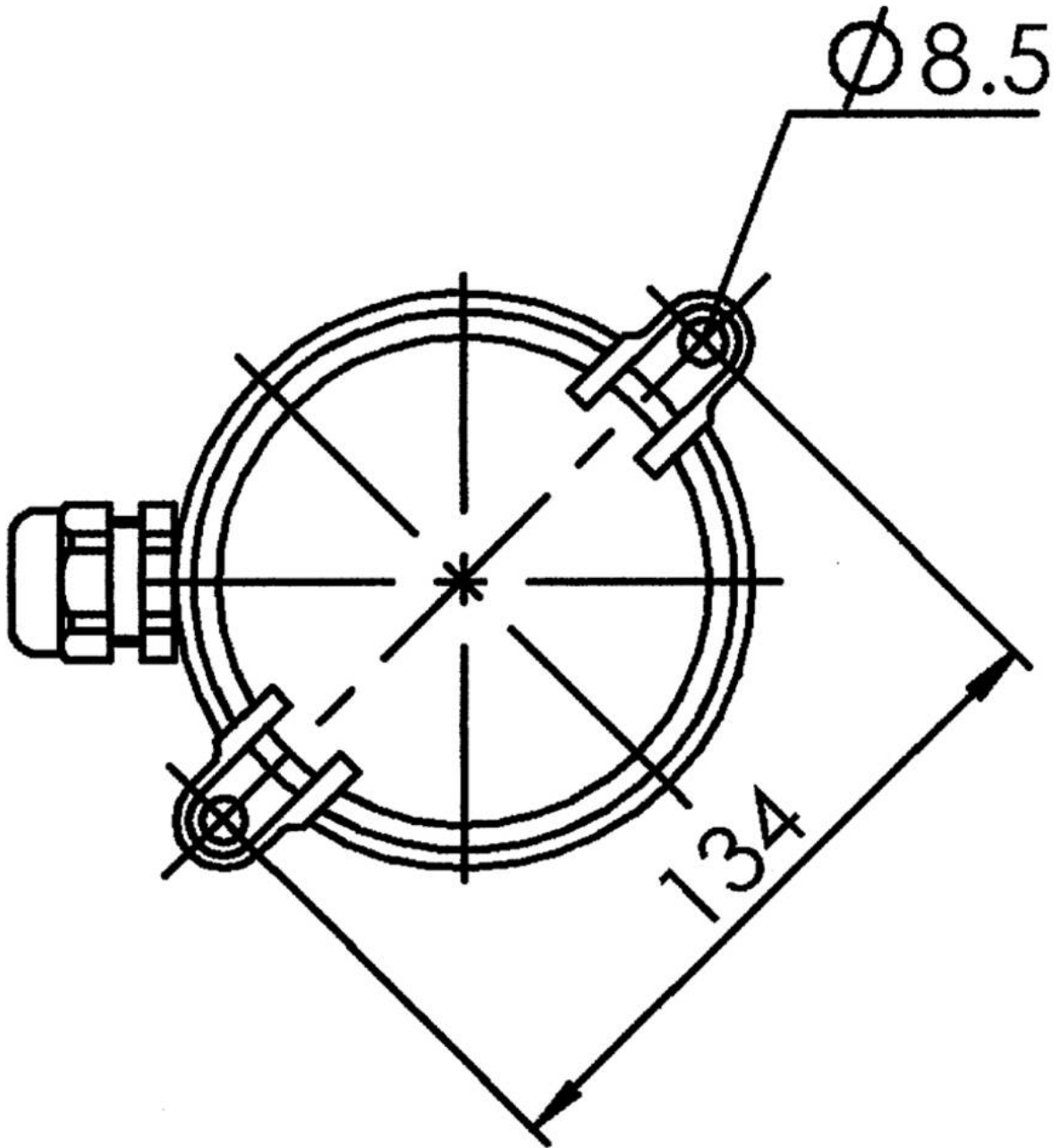


Your Contact:

WISKA India Pvt. Ltd.

Mr. Omkar Ashar · Unit No.247/248, Raheja Tesla Industrial District II , Edison Bldg No.-1A,
Plot No.GEN2/1/C/PART, TTC Industrial Area, MIDC, Juinagar, Navi Mumbai 400705, India

☎ +91-22-4967-1438 · ☎ +91-22-4967-1439 · o.ashar@wiska.in · www.wiska.in



Your Contact:

WISKA India Pvt. Ltd.

Mr. Omkar Ashar · Unit No.247/248,Raheja Tesla Industrial District II , Edison Bldg No.-1A,
Plot No.GEN2/1/C/PART, TTC Industrial Area, MIDC, Juinagar, Navi Mumbai 400705, India

☎ +91-22-4967-1438 · ☎ +91-22-4967-1439 · o.ashar@wiska.in · www.wiska.in

Other technical data on request / subject to change without notice