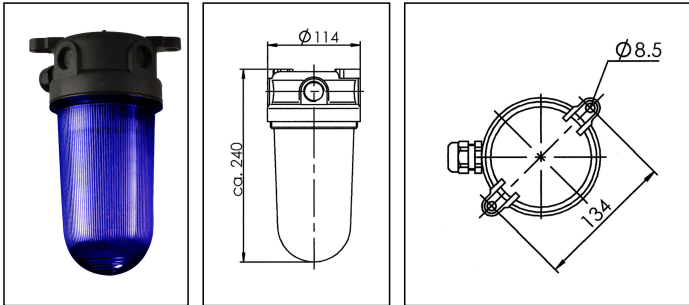


**2000/B 220V/AC/bu**

Multi-purpose light with flash electronic 5Ws 220V IP68, blue cover



Products may differ in size, colour and appearance to those shown. If you require further information or customisation, please contact us directly.

<b>WISKA-Order no.</b>	10015454
<b>Type</b>	2000/B 220V/AC/bu
<b>Material</b>	PBT
<b>Material globe/diffuser</b>	Polycarbonate
<b>Globe colour</b>	Blue
<b>Voltage</b>	220 V
<b>Type of Voltage</b>	AC
<b>Protection class</b>	IP68
<b>Temp. range min</b>	-25 °C
<b>Temp. range max</b>	45 °C
<b>Flash-energy</b>	5Ws 60/Min
<b>Lightsource</b>	Flashlight
<b>Type of cable gland</b>	ESKV 20 PLUS / 7,5-14mm
<b>Ø cable diameter min</b>	7,5 mm
<b>Ø cable diameter max</b>	14 mm
<b>Equipment</b>	4 threaded knockout entry M20
<b>Mounting</b>	Ceiling, Upside down, Upside, Wall, Surface mounting
<b>Colour</b>	Black
<b>External dimensions LxWxH</b>	134x240mm
<b>Weight</b>	0,66 kg

Equipment:

- Plastic: impact resistant, heat-and water resistant
- 4 threaded knockout entries M20
- Separate terminal to loop the armour
- Flash electronic 5Ws (60 flashes/minute)

Your Contact:

**WISKA India Pvt. Ltd.**

Mr. Omkar Ashar · Unit No.247/248,Raheja Tesla Industrial District II , Edison Bldg No.-1A,  
Plot No.GEN2/1/C/PART, TTC Industrial Area, MIDC, Juinagar, Navi Mumbai 400705, India

☎ +91-22-4967-1438 · ☎ +91-22-4967-1439 · o.ashar@wiska.in · www.wiska.in

- 2 cable glands ESKV 20 enclosed separately

## Spare parts

SP-2000 BL 5 W/S 220V Baseplate flash	22000187
SP-2080 Structured globe blue	22000202
SP-2000 Housing M20	22000382

27.06.2026

Your Contact:

**WISKA India Pvt. Ltd.**

Mr. Omkar Ashar · Unit No.247/248,Raheja Tesla Industrial District II , Edison Bldg No.-1A,  
Plot No.GEN2/1/C/PART, TTC Industrial Area, MIDC, Juinagar, Navi Mumbai 400705, India

☎ +91-22-4967-1438 · ☎ +91-22-4967-1439 · o.ashar@wiska.in · www.wiska.in

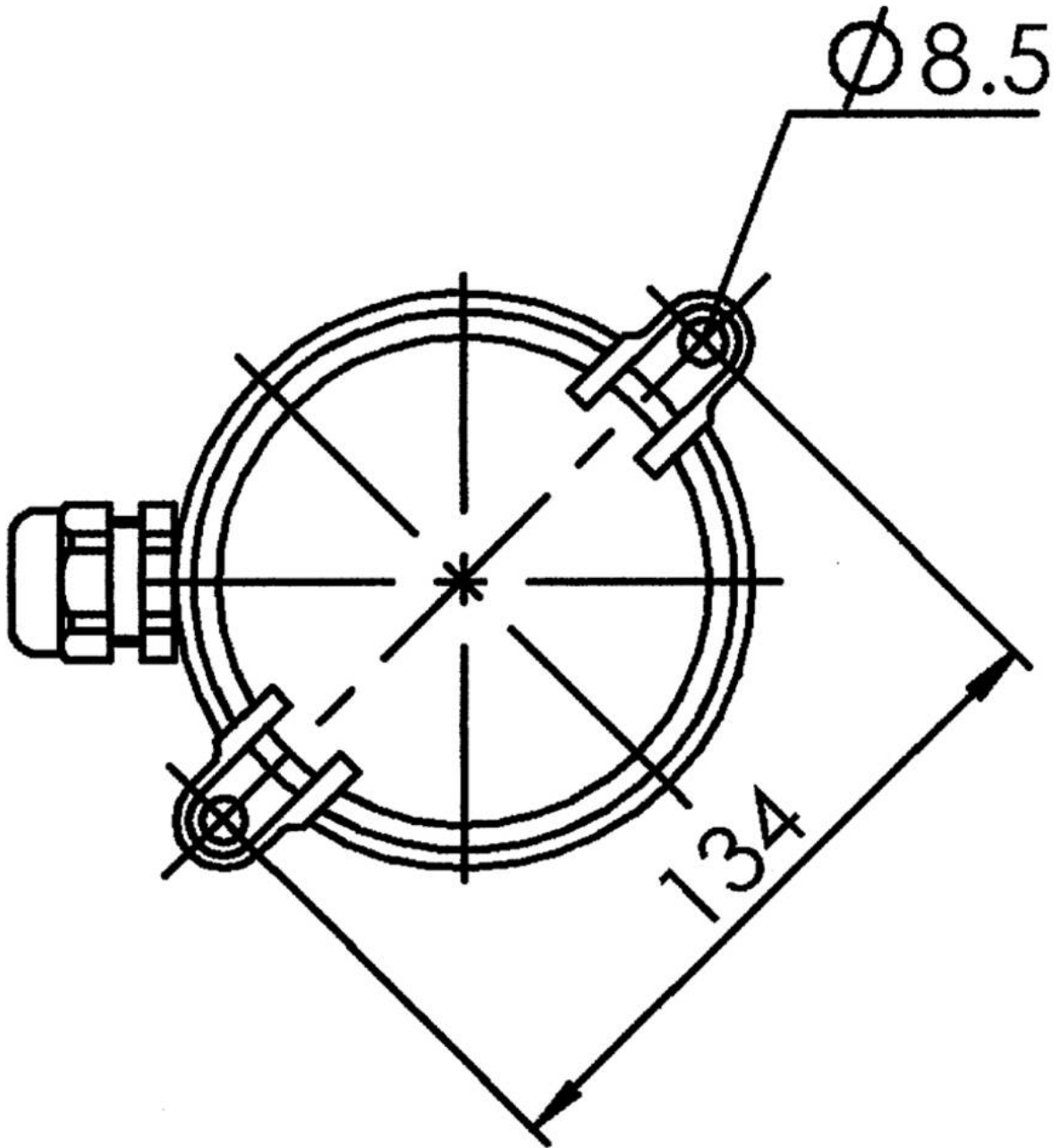


Your Contact:

WISKA India Pvt. Ltd.

Mr. Omkar Ashar · Unit No.247/248, Raheja Tesla Industrial District II , Edison Bldg No.-1A,  
Plot No.GEN2/1/C/PART, TTC Industrial Area, MIDC, Juinagar, Navi Mumbai 400705, India

☎ +91-22-4967-1438 · ☎ +91-22-4967-1439 · o.ashar@wiska.in · www.wiska.in



Your Contact:

**WISKA India Pvt. Ltd.**

Mr. Omkar Ashar · Unit No.247/248,Raheja Tesla Industrial District II , Edison Bldg No.-1A,  
Plot No.GEN2/1/C/PART, TTC Industrial Area, MIDC, Juinagar, Navi Mumbai 400705, India

☎ +91-22-4967-1438 · ☎ +91-22-4967-1439 · o.ashar@wiska.in · www.wiska.in

Other technical data on request / subject to change without notice