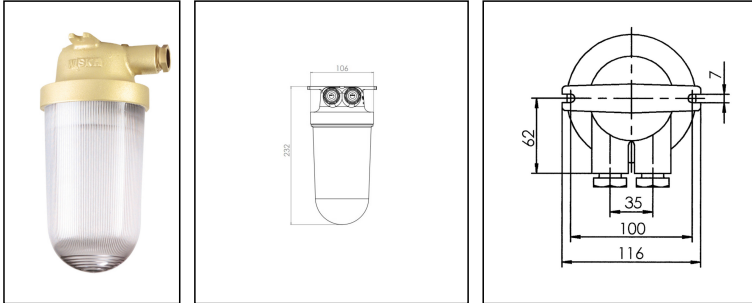



## 1131/2/CR/L/clear/oT/1975-2xZ14

HNA standard light max. 23W B22d, brass, cover clear without dropehole, IP56



Products may differ in size, colour and appearance to those shown. If you require further information or customisation, please contact us directly.



<b>WISKA-Order no.</b>	10015545
<b>Type</b>	1131/2/CR/L/clear/oT/1975-2xZ14
<b>Material</b>	Brass
<b>Material globe/diffuser</b>	Polycarbonate
<b>Globe colour</b>	Clear
<b>Wattage</b>	23 W
<b>Voltage</b>	230 V
<b>Type of Voltage</b>	AC
<b>Protection class</b>	IP56
<b>Temp. range min</b>	-25 °C
<b>Temp. range max</b>	45 °C
<b>Lampholder</b>	B22d
<b>Number of lampholder</b>	1 ST
<b>Lightsource</b>	variable (B22)
<b>Lightsource incl.</b>	No
<b>Bulb shape</b>	rod shaped
<b>Type of cable gland</b>	M24x1,5 Z 14 / 12-14,5mm
<b>Material cable gland</b>	Brass
<b>Using for cable gland</b>	
<b>Type of cable</b>	armoured
<b>Ø cable diameter min</b>	12 mm
<b>Ø cable diameter max</b>	14,5 mm
<b>Mounting</b>	Upside down, Ceiling, Surface mounting
<b>Equipment</b>	without drope hole
<b>External dimensions LxWxH</b>	232x116mm

Your Contact:

WISKA India Pvt. Ltd.

Mr. Omkar Ashar · Unit No.247/248,Raheja Tesla Industrial District II , Edison Bldg No.-1A,  
Plot No.GEN2/1/C/PART, TTC Industrial Area, MIDC, Juinagar, Navi Mumbai 400705, India

+91-22-4967-1438 · +91-22-4967-1439 · o.ashar@wiska.in · www.wiska.in

<b>Weight</b>	1,14 kg
<b>Approval</b>	DNV-GL, RMRS
<b>Tariff number</b>	94051990

### Recommended accessories

<b>SP-1112 Wall bracket 12mm</b>	22000350
<b>SP-Vibration damper light 1131</b>	22000913

### Spare parts

<b>SP-1931/CR/L/oT/clear</b>	22000203
<b>SP-1189 Anti dazzle screen</b>	22000534
<b>SP-1131 Gasket</b>	22000863
<b>SP-1975 Lampholder B22d, HNA</b>	22001038

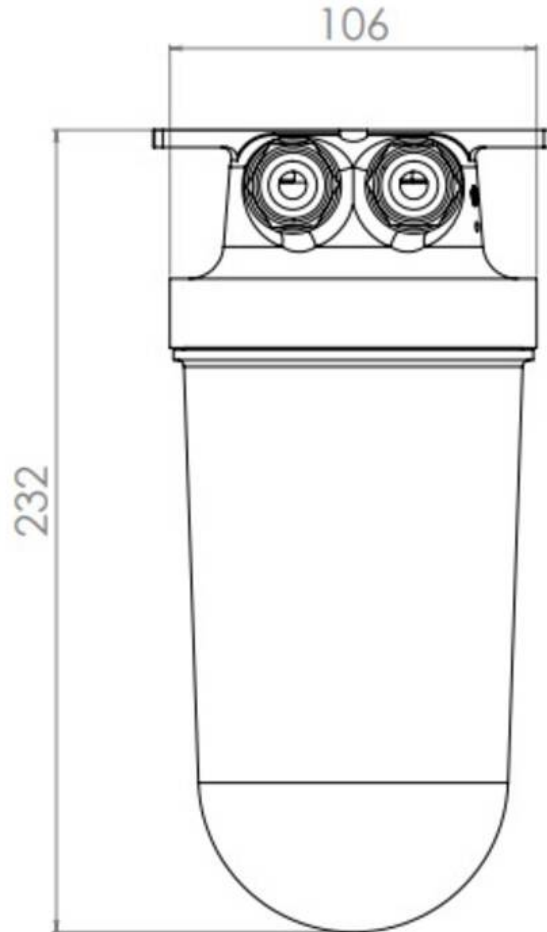
12.05.2026

Your Contact:

**WISKA India Pvt. Ltd.**

Mr. Omkar Ashar · Unit No.247/248,Raheja Tesla Industrial District II , Edison Bldg No.-1A,  
Plot No.GEN2/1/C/PART, TTC Industrial Area, MIDC, Juinagar, Navi Mumbai 400705, India

☎ +91-22-4967-1438 · ☎ +91-22-4967-1439 · o.ashar@wiska.in · www.wiska.in

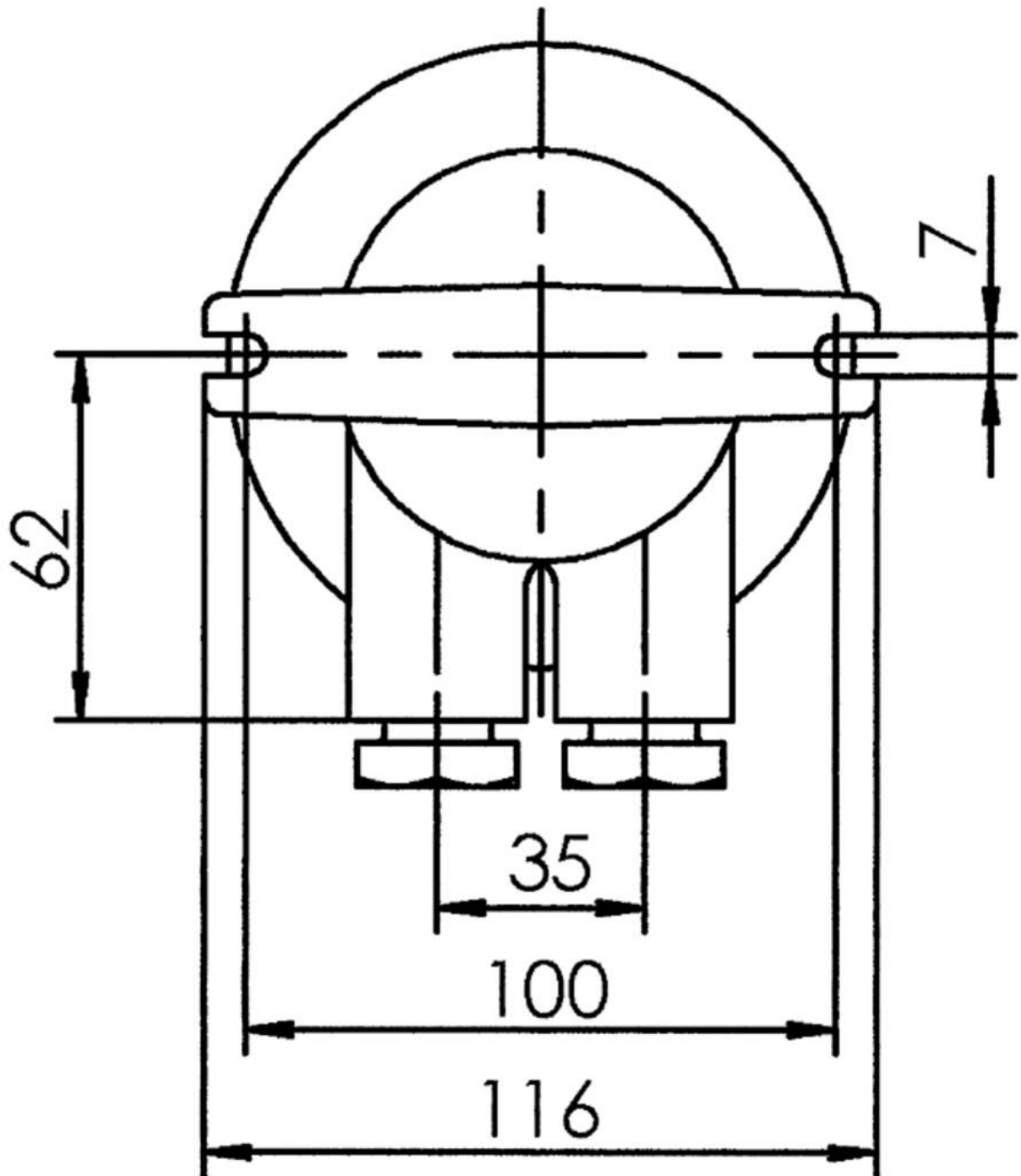


Your Contact:

**WISKA India Pvt. Ltd.**

Mr. Omkar Ashar · Unit No.247/248,Raheja Tesla Industrial District II , Edison Bldg No.-1A,  
Plot No.GEN2/1/C/PART, TTC Industrial Area, MIDC, Juinagar, Navi Mumbai 400705, India

☎ +91-22-4967-1438 · ☎ +91-22-4967-1439 · o.ashar@wiska.in · www.wiska.in



Your Contact:

WISKA India Pvt. Ltd.

Mr. Omkar Ashar · Unit No.247/248, Raheja Tesla Industrial District II , Edison Bldg No.-1A,  
Plot No.GEN2/1/C/PART, TTC Industrial Area, MIDC, Juinagar, Navi Mumbai 400705, India

☎ +91-22-4967-1438 · ☎ +91-22-4967-1439 · o.ashar@wiska.in · www.wiska.in

Other technical data on request / subject to change without notice