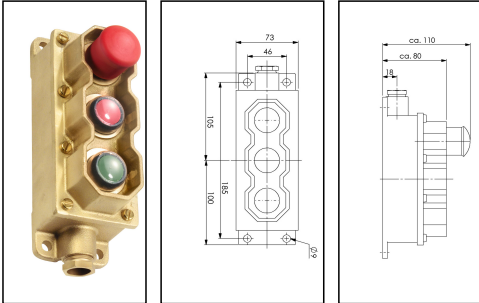



## 3720+EO-R/AR+IL-O/230+PB-G/AR-1xZ14

Combination of Emergency-Off push button 3-gang, brass, IP56



Products may differ in size, colour and appearance to those shown. If you require further information or customisation, please contact us directly.

<b>WISKA-Order no.</b>	10016139
<b>Type</b>	3720+EO-R/AR+IL-O/230+PB-G/AR-1xZ14
<b>Voltage</b>	230 V
<b>Type of Voltage</b>	AC
<b>Current</b>	6 A
<b>Protection class</b>	IP56
<b>Material</b>	Brass
<b>Using for cable gland</b>	
<b>Type of cable gland</b>	M 24 x 1,5
<b>Ø cable diameter min</b>	12 mm
<b>Ø cable diameter max</b>	14,5 mm
<b>Mounting</b>	Surface mounting
<b>Type of cable</b>	armoured
<b>Temp. range min</b>	-25 °C
<b>Temp. range max</b>	45 °C
<b>Type of switch</b>	Multiple push buttons
<b>Weight</b>	2,1 kg
<b>Tariff number</b>	85363010

Equipment:

- 1 Emergency off button red 1 breaking contact, 1 closing contact
- 1 LED indication light opal
- 1 Push button green 1 breaking contact, 1 closing contact

Remarks:

Your Contact:

**WISKA India Pvt. Ltd.**

Mr. Omkar Ashar · Unit No.247/248,Raheja Tesla Industrial District II , Edison Bldg No.-1A,  
Plot No.GEN2/1/C/PART, TTC Industrial Area, MIDC, Juinagar, Navi Mumbai 400705, India

☎ +91-22-4967-1438 · ☎ +91-22-4967-1439 · o.ashar@wiska.in · www.wiska.in

- Push button acc. to IEC/EN 60947
- Uimp max. = 6KV
- Max. 3 contacts per push button (AR, AA, RR or 1 LED indicator lamp)

## Spare parts

SP-PB-G Push button, green	22000578
SP-IL-O LED Indication light, opal	22000585
SP-EO-R Emergency Off Push button, red	22000586

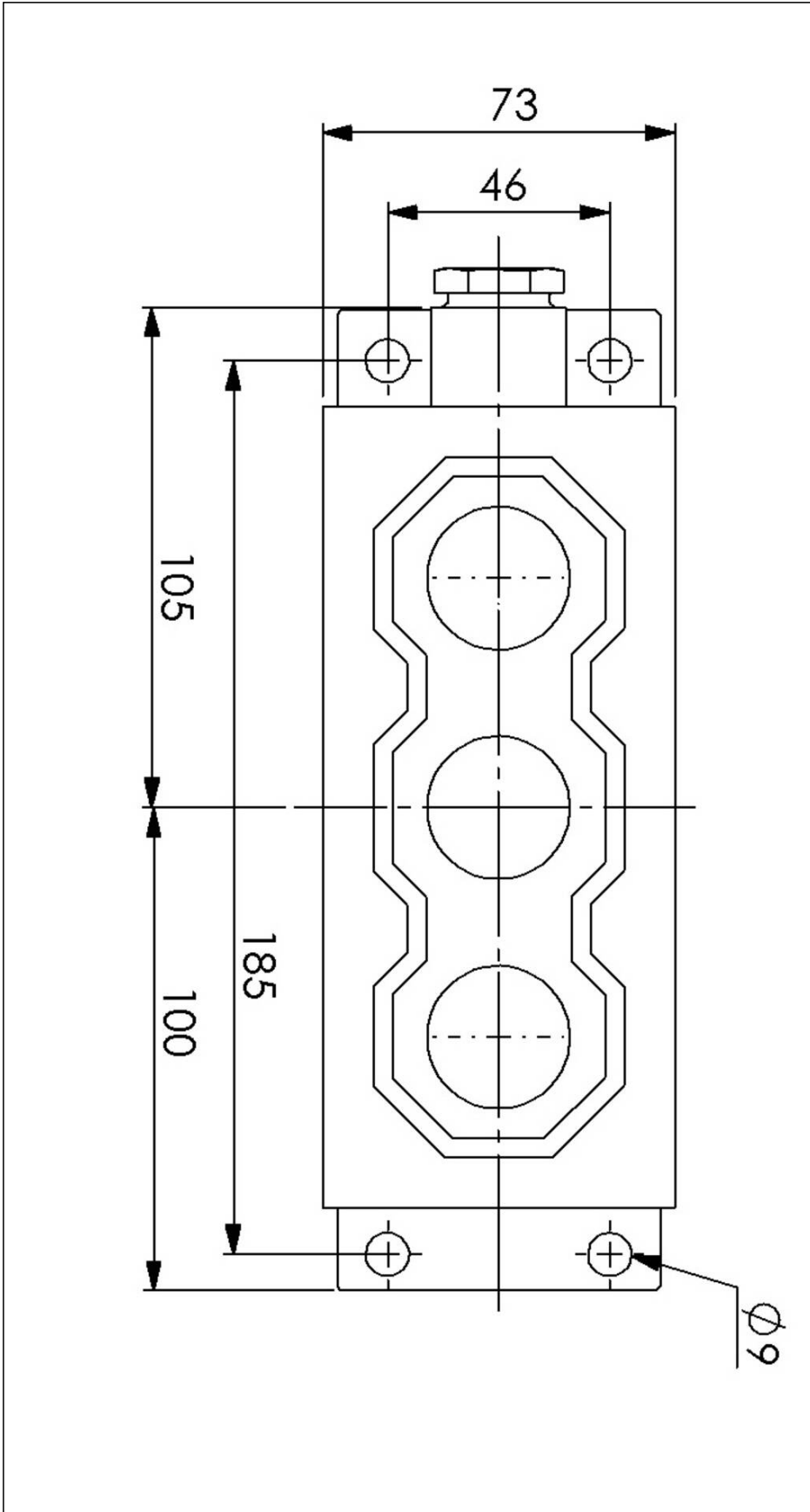
23.05.2026

Your Contact:

**WISKA India Pvt. Ltd.**

Mr. Omkar Ashar · Unit No.247/248, Raheja Tesla Industrial District II , Edison Bldg No.-1A,  
Plot No.GEN2/1/C/PART, TTC Industrial Area, MIDC, Juinagar, Navi Mumbai 400705, India

☎ +91-22-4967-1438 · ☎ +91-22-4967-1439 · o.ashar@wiska.in · www.wiska.in

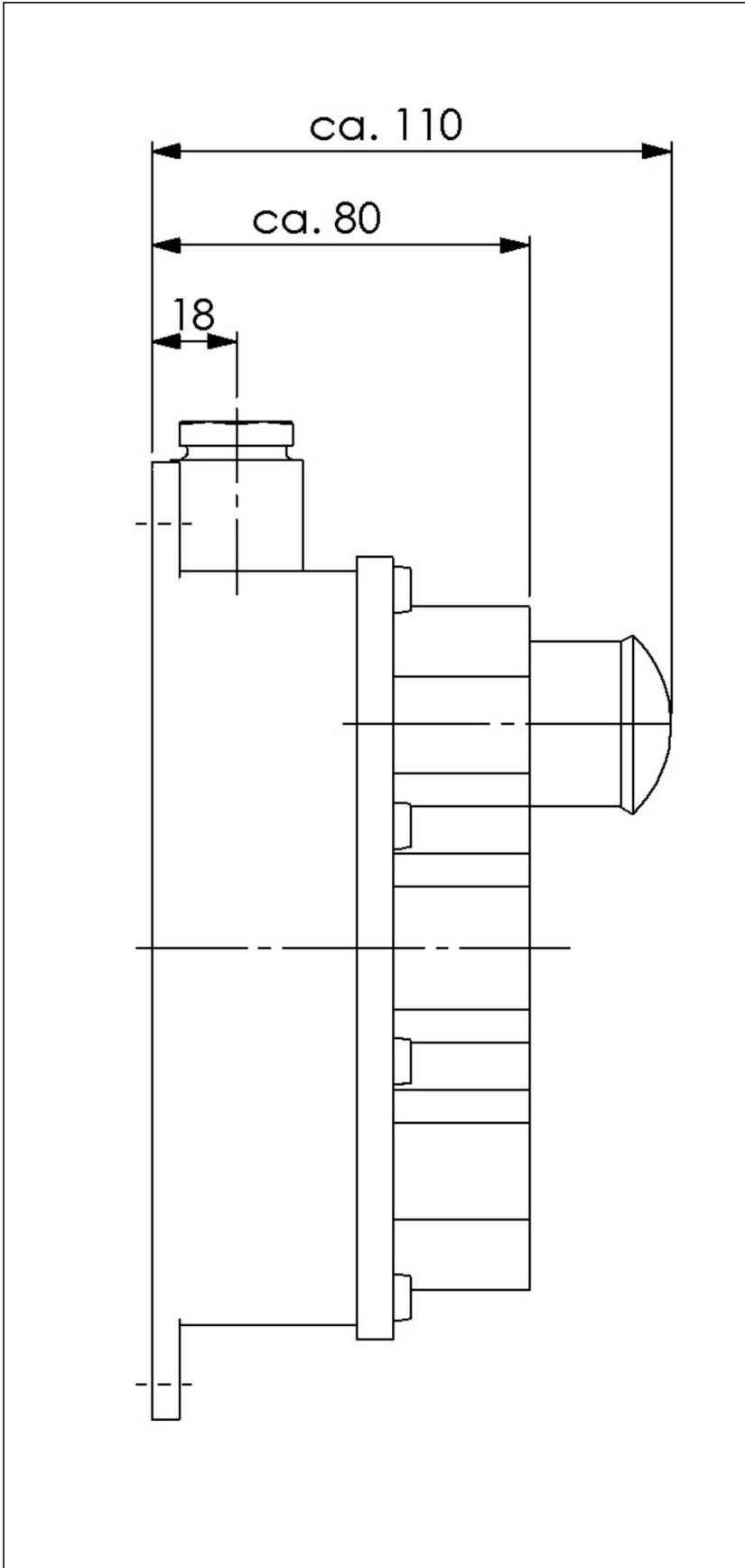


Your Contact:

**WISKA India Pvt. Ltd.**

Mr. Omkar Ashar · Unit No.247/248,Raheja Tesla Industrial District II , Edison Bldg No.-1A,  
Plot No.GEN2/1/C/PART, TTC Industrial Area, MIDC, Juinagar, Navi Mumbai 400705, India

☎ +91-22-4967-1438 · ☎ +91-22-4967-1439 · o.ashar@wiska.in · www.wiska.in



Your Contact:

**WISKA India Pvt. Ltd.**

Mr. Omkar Ashar · Unit No.247/248,Raheja Tesla Industrial District II , Edison Bldg No.-1A,  
Plot No.GEN2/1/C/PART, TTC Industrial Area, MIDC, Juinagar, Navi Mumbai 400705, India

☎ +91-22-4967-1438 · ☎ +91-22-4967-1439 · o.ashar@wiska.in · www.wiska.in