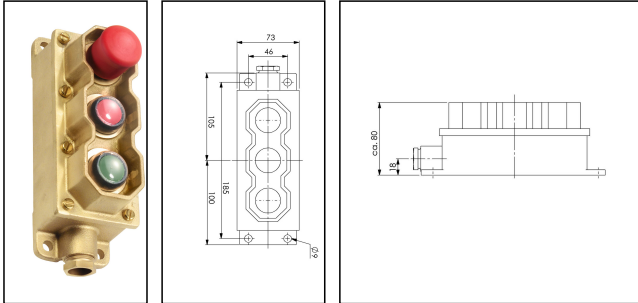



3720+PB-B/AR+PB-B/AR+PB-B/AR-1xZ14

Push button combination 3-gang, brass, IP56



Products may differ in size, colour and appearance to those shown. If you require further information or customisation, please contact us directly.

WISKA-Order no.	10016142
Type	3720+PB-B/AR+PB-B/AR+PB-B/AR-1xZ14
Voltage	230 V
Type of Voltage	AC
Current	6 A
Protection class	IP56
Material	Brass
Using for cable gland	
Type of cable gland	M 24 x 1,5
Ø cable diameter min	12 mm
Ø cable diameter max	14,5 mm
Mounting	Surface mounting
Type of cable	armoured
Temp. range min	-25 °C
Temp. range max	45 °C
Type of switch	Multiple push buttons
Weight	2,01 kg
Tariff number	85363010

Equipment:

push button black, 1 breaking contact, 1 closing contact,
 push button black, 1 breaking contact, 1 closing contact,
 push button black, 1 breaking contact, 1 closing contact,

Remarks:

Your Contact:

WISKA India Pvt. Ltd.

Mr. Omkar Ashar · Unit No.247/248,Raheja Tesla Industrial District II , Edison Bldg No.-1A,
 Plot No.GEN2/1/C/PART, TTC Industrial Area, MIDC, Juinagar, Navi Mumbai 400705, India

☎ +91-22-4967-1438 · ☎ +91-22-4967-1439 · o.ashar@wiska.in · www.wiska.in

- Push button acc. to IEC/EN 60947
- Uimp max. = 6KV
- Max. 3 contacts per push button (AR, AA, RR or 1 LED indicator lamp)

Spare parts

SP-PB-B Push button, black

22000579

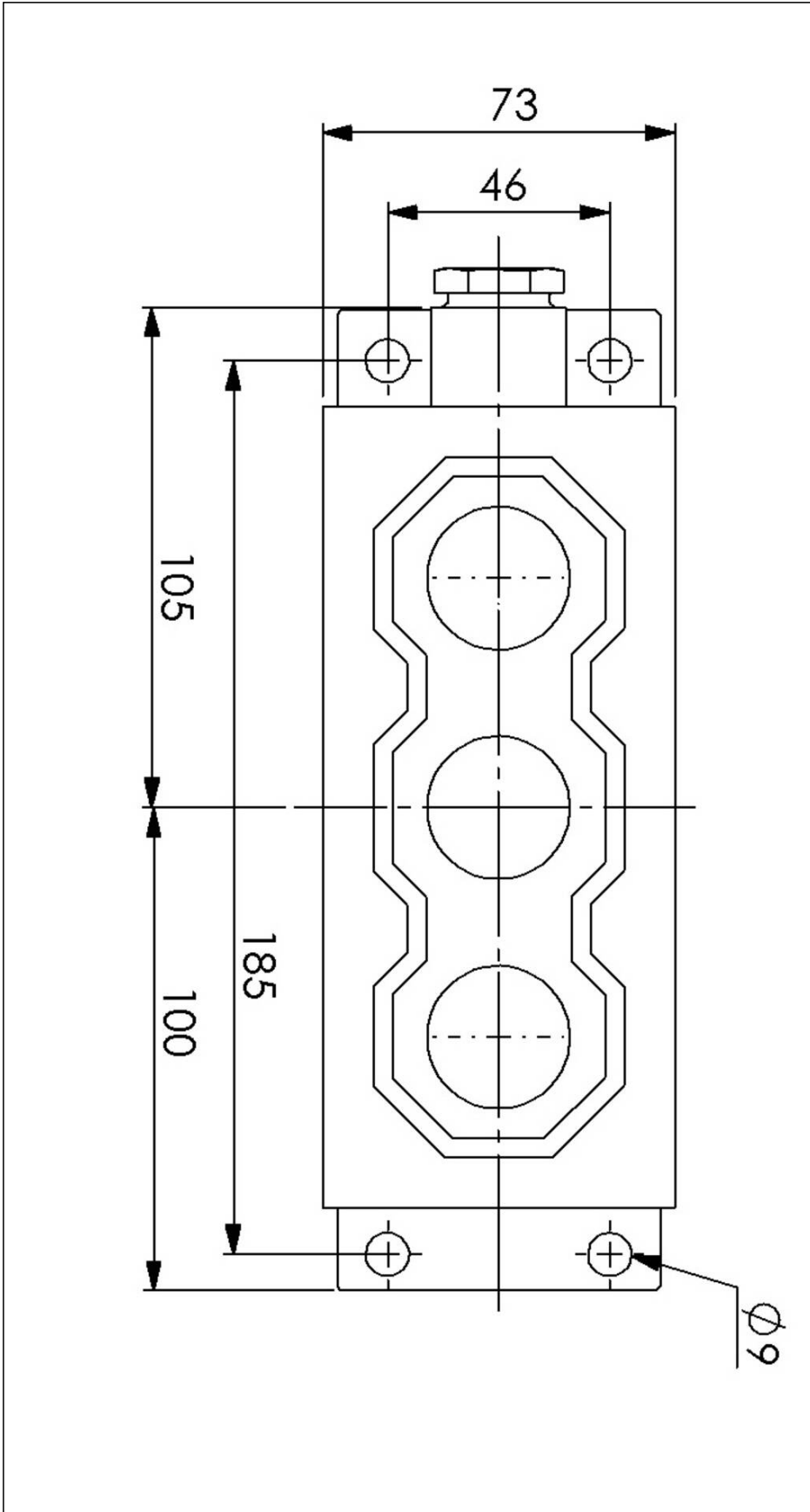
23.05.2026

Your Contact:

WISKA India Pvt. Ltd.

Mr. Omkar Ashar · Unit No.247/248,Raheja Tesla Industrial District II , Edison Bldg No.-1A,
Plot No.GEN2/1/C/PART, TTC Industrial Area, MIDC, Juinagar, Navi Mumbai 400705, India

☎ +91-22-4967-1438 · ☎ +91-22-4967-1439 · o.ashar@wiska.in · www.wiska.in

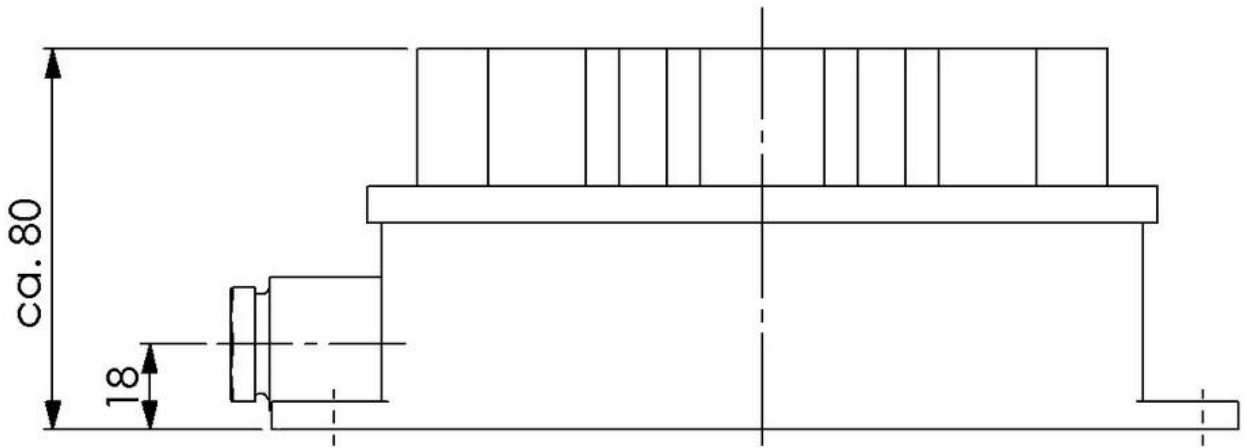


Your Contact:

WISKA India Pvt. Ltd.

Mr. Omkar Ashar · Unit No.247/248,Raheja Tesla Industrial District II , Edison Bldg No.-1A,
Plot No.GEN2/1/C/PART, TTC Industrial Area, MIDC, Juinagar, Navi Mumbai 400705, India

☎ +91-22-4967-1438 · ☎ +91-22-4967-1439 · o.ashar@wiska.in · www.wiska.in



Your Contact:

WISKA India Pvt. Ltd.

Mr. Omkar Ashar · Unit No.247/248,Raheja Tesla Industrial District II , Edison Bldg No.-1A,
Plot No.GEN2/1/C/PART, TTC Industrial Area, MIDC, Juinagar, Navi Mumbai 400705, India

☎ +91-22-4967-1438 · ☎ +91-22-4967-1439 · o.ashar@wiska.in · www.wiska.in