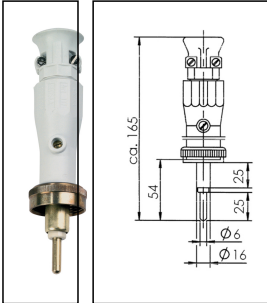


117-1xW08

Concentric plug 10A 50V DC, plastic, RAL 7035, IP56



Products may differ in size, colour and appearance to those shown. If you require further information or customisation, please contact us directly.

WISKA-Order no.	10016399
Type	117-1xW08
Material	Polyamide, fibre reinforced
Voltage	50 V
Type of Voltage	DC
Current	10 A
Protection class	IP56
Temp. range min	-25 °C
Temp. range max	45 °C
plug insert	concentric
Terminals/poles	2-pole
Type of cable gland	M 24 x 1,5
Type of cable	non-armoured
Ø cable diameter min	7 mm
Ø cable diameter max	8,5 mm
Colour	RAL 7035
Weight	0,13 kg
Tariff number	85366990

Spare parts

SP-124 Concentric plug interior	22000385
--	----------

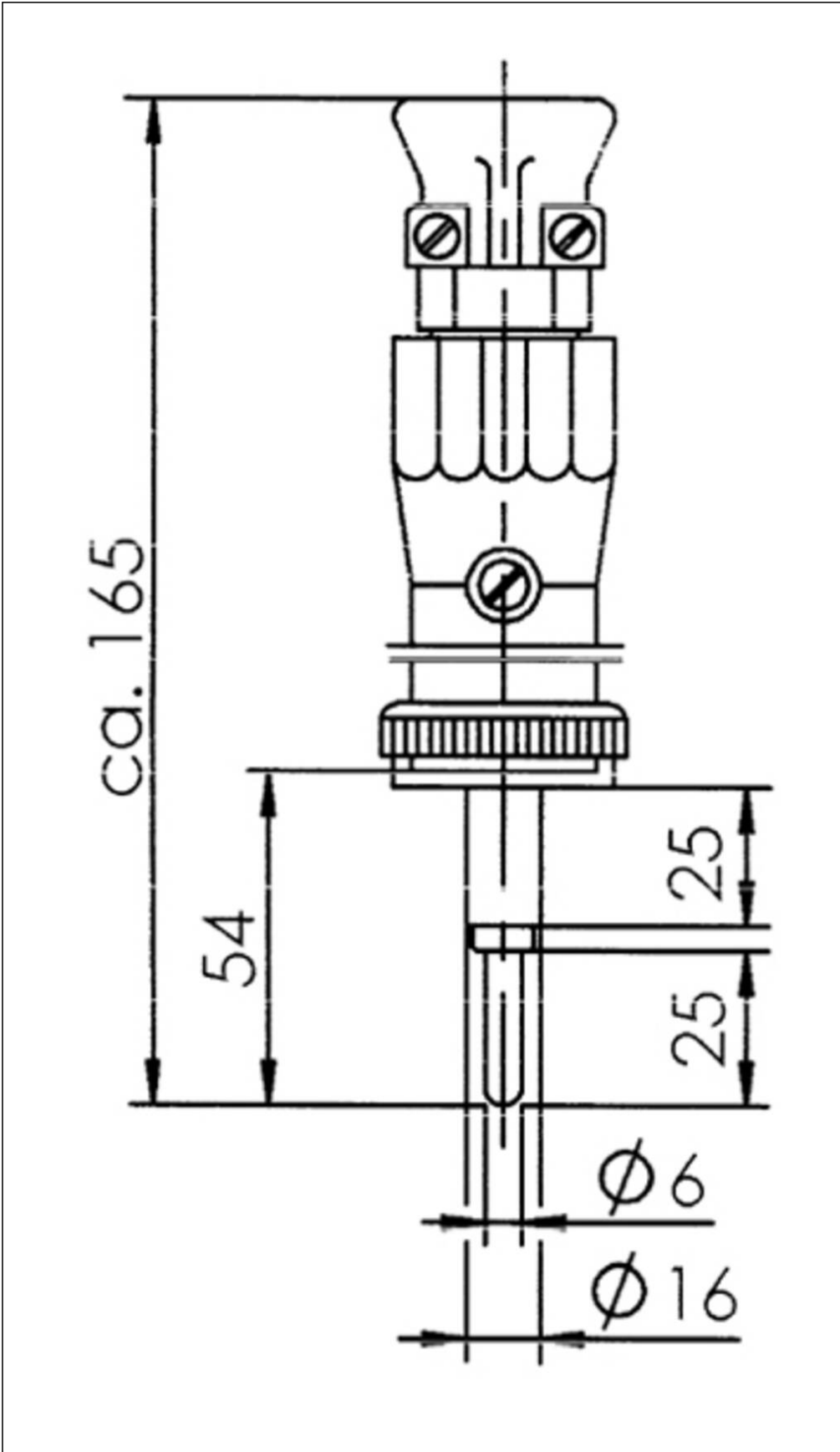
12.05.2026

Your Contact:

WISKA India Pvt. Ltd.

Mr. Omkar Ashar · Unit No.247/248,Raheja Tesla Industrial District II , Edison Bldg No.-1A,
Plot No.GEN2/1/C/PART, TTC Industrial Area, MIDC, Juinagar, Navi Mumbai 400705, India

☎ +91-22-4967-1438 · ☎ +91-22-4967-1439 · o.ashar@wiska.in · www.wiska.in



Your Contact:

WISKA India Pvt. Ltd.

Mr. Omkar Ashar · Unit No.247/248, Raheja Tesla Industrial District II , Edison Bldg No.-1A,
Plot No.GEN2/1/C/PART, TTC Industrial Area, MIDC, Juinagar, Navi Mumbai 400705, India

☎ +91-22-4967-1438 · ☎ +91-22-4967-1439 · o.ashar@wiska.in · www.wiska.in