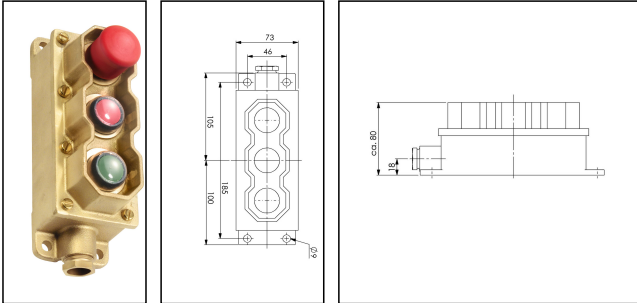


3720+PB-R/AA+PB-B/AA+PB-G/AA-1xZ14

Push button combination 3-gang, brass, IP56



Products may differ in size, colour and appearance to those shown. If you require further information or customisation, please contact us directly.

| | |
|------------------------------|------------------------------------|
| WISKA-Order no. | 10016437 |
| Type | 3720+PB-R/AA+PB-B/AA+PB-G/AA-1xZ14 |
| Voltage | 230 V |
| Type of Voltage | AC |
| Current | 6 A |
| Protection class | IP56 |
| Material | Brass |
| Using for cable gland | |
| Type of cable gland | M 24 x 1,5 |
| Ø cable diameter min | 12 mm |
| Ø cable diameter max | 14,5 mm |
| Mounting | Surface mounting |
| Type of cable | armoured |
| Temp. range min | -25 °C |
| Temp. range max | 45 °C |
| Type of switch | Multiple push buttons |
| Weight | 2,6 kg |
| Tariff number | 85363010 |

Equipment:

- push button red, 2 closing contacts
- push button black 2 closing contacts
- push button green 2 closing contacts

Remarks:

Your Contact:

WISKA India Pvt. Ltd.

Mr. Omkar Ashar · Unit No.247/248,Raheja Tesla Industrial District II , Edison Bldg No.-1A,
Plot No.GEN2/1/C/PART, TTC Industrial Area, MIDC, Juinagar, Navi Mumbai 400705, India

☎ +91-22-4967-1438 · ☎ +91-22-4967-1439 · o.ashar@wiska.in · www.wiska.in

- Push button acc. to IEC/EN 60947
- Uimp max. = 6KV
- Max. 3 contacts per push button (AR, AA, RR or 1 LED indicator lamp)

Spare parts

| | |
|----------------------------|----------|
| SP-PB-R Push button, red | 22000577 |
| SP-PB-G Push button, green | 22000578 |
| SP-PB-B Push button, black | 22000579 |

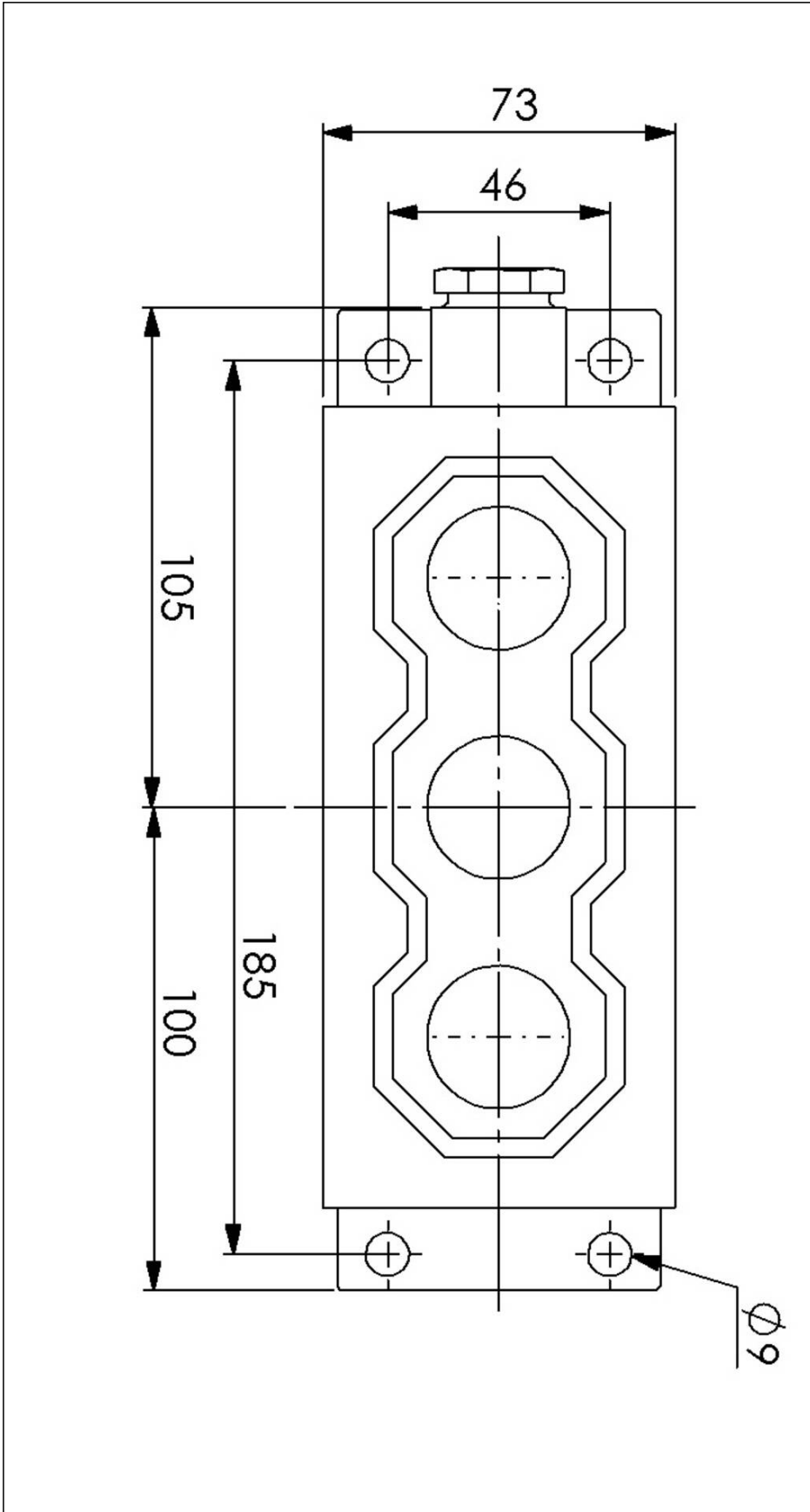
23.05.2026

Your Contact:

WISKA India Pvt. Ltd.

Mr. Omkar Ashar · Unit No.247/248,Raheja Tesla Industrial District II , Edison Bldg No.-1A,
Plot No.GEN2/1/C/PART, TTC Industrial Area, MIDC, Juinagar, Navi Mumbai 400705, India

☎ +91-22-4967-1438 · ☎ +91-22-4967-1439 · o.ashar@wiska.in · www.wiska.in

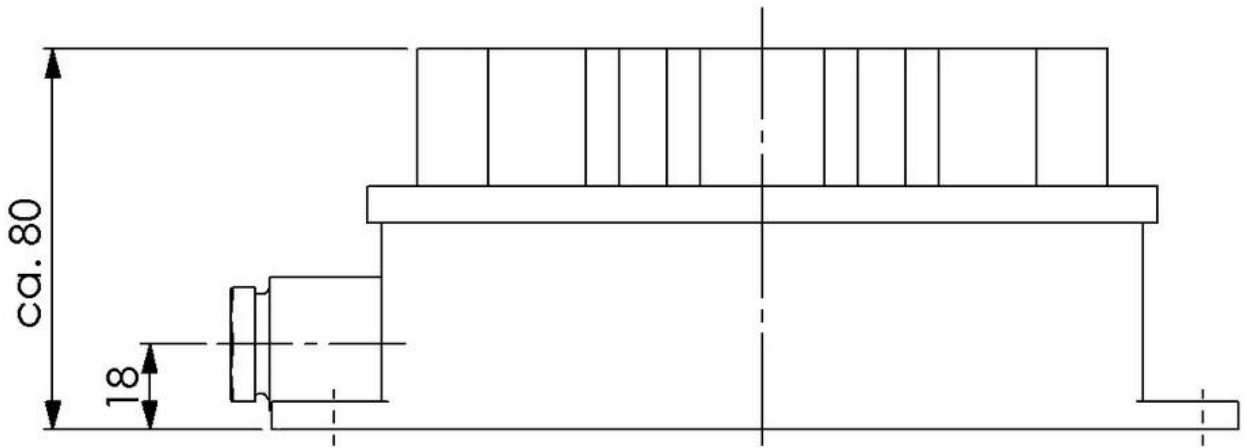


Your Contact:

WISKA India Pvt. Ltd.

Mr. Omkar Ashar · Unit No.247/248,Raheja Tesla Industrial District II , Edison Bldg No.-1A,
Plot No.GEN2/1/C/PART, TTC Industrial Area, MIDC, Juinagar, Navi Mumbai 400705, India

☎ +91-22-4967-1438 · ☎ +91-22-4967-1439 · o.ashar@wiska.in · www.wiska.in



Your Contact:

WISKA India Pvt. Ltd.

Mr. Omkar Ashar · Unit No.247/248,Raheja Tesla Industrial District II , Edison Bldg No.-1A,
Plot No.GEN2/1/C/PART, TTC Industrial Area, MIDC, Juinagar, Navi Mumbai 400705, India

☎ +91-22-4967-1438 · ☎ +91-22-4967-1439 · o.ashar@wiska.in · www.wiska.in