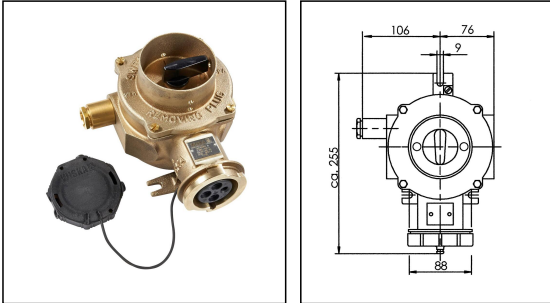


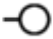
# SO-32A-MS-L-500V-4P-3H-IP56-A01-Z20

CEE-socket 32A 500V 3h, brass, IP56



Products may differ in size, colour and appearance to those shown. If you require further information or customisation, please contact us directly.



<b>WISKA-Order no.</b>	10017008
<b>Type</b>	SO-32A-MS-L-500V-4P-3H-IP56-A01-Z20
<b>Current</b>	32 A
<b>Protection class</b>	IP56
<b>Number of sockets</b>	1
<b>Temp. range min</b>	-25 °C
<b>Temp. range max</b>	45 °C
<b>Type of switch</b>	On-Off, 3-pole
<b>Socket insert</b>	CEE
<b>Clock face position</b>	3h
<b>Using for cable gland</b>	
<b>Type of cable gland</b>	KVM 30x2,0 Z 20 / 18-20,5mm
<b>Ø cable diameter min</b>	18 mm
<b>Ø cable diameter max</b>	20,5 mm
<b>Type of cable</b>	armoured
<b>Mounting</b>	Surface mounting
<b>Operational areas</b>	Outdoor, Engine room, Indoor work space
<b>Weight</b>	5,28 kg
<b>Variations</b>	on request
<b>Tariff number</b>	85366990

Remarks:

CEE-socket 32A with switch

IP56 Type 8

Brass/red brass, plastic bayonet cap

with switch and mechanical locking mechanism,

Your Contact:

**WISKA India Pvt. Ltd.**

Mr. Omkar Ashar · Unit No.247/248,Raheja Tesla Industrial District II , Edison Bldg No.-1A,

Plot No.GEN2/1/C/PART, TTC Industrial Area, MIDC, Juinagar, Navi Mumbai 400705, India

☎ +91-22-4967-1438 · ☎ +91-22-4967-1439 · o.ashar@wiska.in · www.wiska.in

## 3-pole + PE

Clock face position protective earth conductor 3h

cable entry 1x M30x2/Z20 -O

for armoured cable 18-20,5mm in diameter

## Spare parts

<b>SP-BC/FS-CEE/BELT/32A</b>	22000403
<b>SP-VARI-C-MS/tool-set</b>	22000443
<b>SP-C-CEE-MS/DI/32/94</b>	22000448
<b>SP-C-MS-CEE/GR/32/94</b>	22000449
<b>SP-SI-CEE/32/94</b>	22000554
<b>SP-CEE 1832 Switch interior 32/94</b>	22000608
<b>SP-CEE Knob 1832</b>	22000692

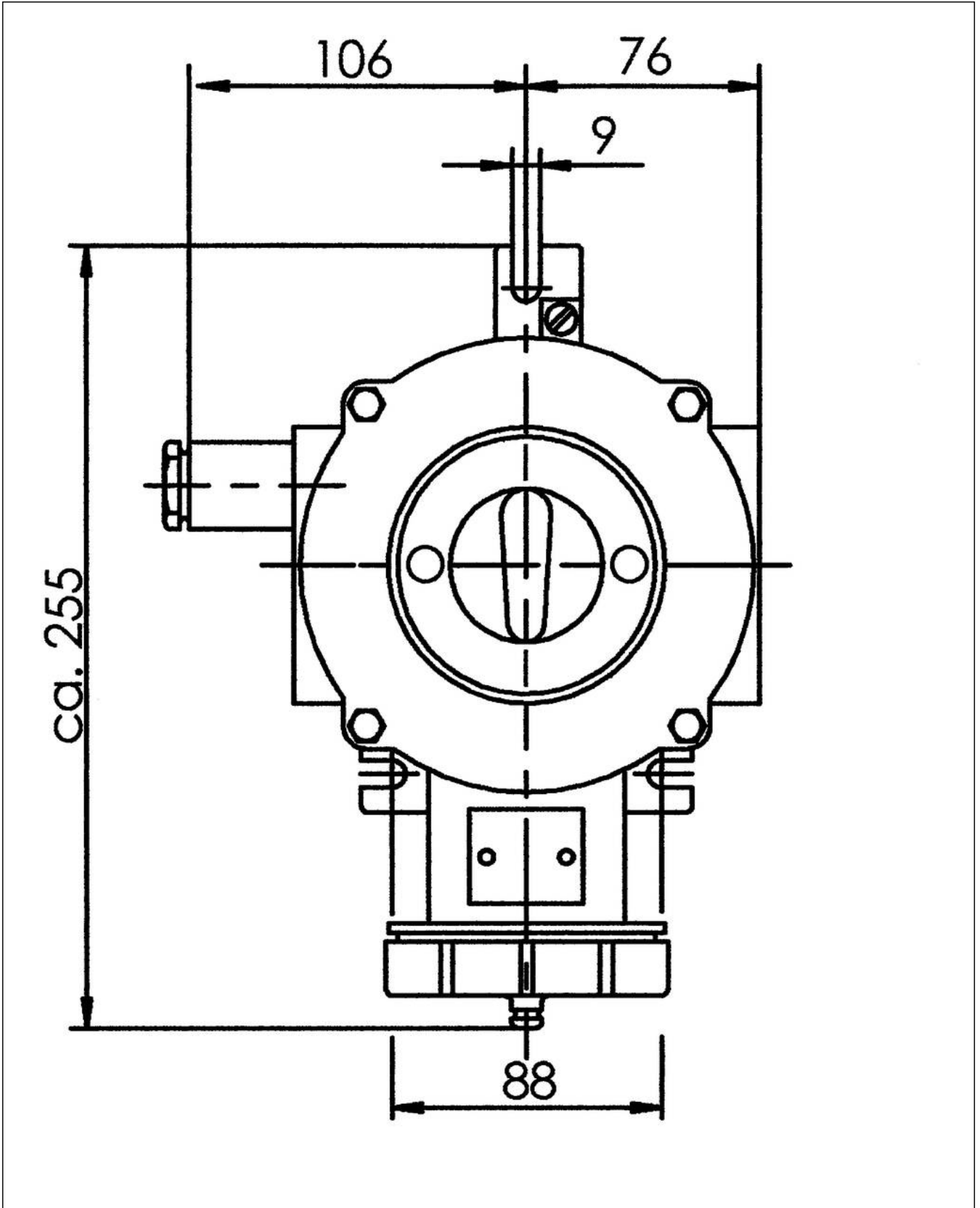
12.05.2026

Your Contact:

**WISKA India Pvt. Ltd.**

Mr. Omkar Ashar · Unit No.247/248,Raheja Tesla Industrial District II , Edison Bldg No.-1A,  
Plot No.GEN2/1/C/PART, TTC Industrial Area, MIDC, Juinagar, Navi Mumbai 400705, India

☎ +91-22-4967-1438 · ☎ +91-22-4967-1439 · o.ashar@wiska.in · www.wiska.in



Your Contact:

WISKA India Pvt. Ltd.

Mr. Omkar Ashar · Unit No.247/248, Raheja Tesla Industrial District II , Edison Bldg No.-1A,  
Plot No.GEN2/1/C/PART, TTC Industrial Area, MIDC, Juinagar, Navi Mumbai 400705, India

☎ +91-22-4967-1438 · ☎ +91-22-4967-1439 · o.ashar@wiska.in · www.wiska.in