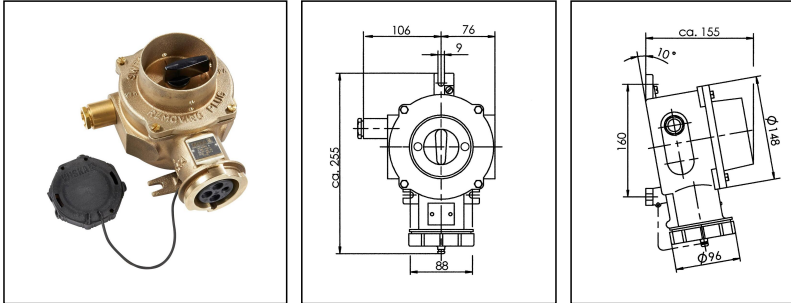



SO-32A-MS-R-500V-4P-3H-IP56-A01-Z20

CEE-socket 32A 500V 3h, brass, IP56



Products may differ in size, colour and appearance to those shown. If you require further information or customisation, please contact us directly.



WISKA-Order no.	10017009
Type	SO-32A-MS-R-500V-4P-3H-IP56-A01-Z20
Current	32 A
Protection class	IP56
Number of sockets	1
Temp. range min	-25 °C
Temp. range max	45 °C
Type of switch	On-Off, 3-pole
Socket insert	CEE
Clock face position	3h
Using for cable gland	
Type of cable gland	KVM 30x2,0 Z 20 / 18-20,5mm
Ø cable diameter min	18 mm
Ø cable diameter max	20,5 mm
Type of cable	armoured
Mounting	Surface mounting
Weight	5,55 kg
Variations	on request
Tariff number	85366990

Remarks:

CEE-socket 32A with switch
 IP56 Type 9, 90R
 Brass/red brass, plastic bayonet cap
 with switch and mechanical locking mechanism,
 3-pole + PE

Your Contact:

WISKA India Pvt. Ltd.

Mr. Omkar Ashar · Unit No.247/248,Raheja Tesla Industrial District II , Edison Bldg No.-1A,
 Plot No.GEN2/1/C/PART, TTC Industrial Area, MIDC, Juinagar, Navi Mumbai 400705, India

☎ +91-22-4967-1438 · ☎ +91-22-4967-1439 · o.ashar@wiska.in · www.wiska.in

Clock face position protective
earth conductor 3h
cable entry 1x M30x2/Z20 O-
for armoured cable 18-20,5mm in diameter

Spare parts

SP-BC/FS-CEE/BELT/32A	22000403
SP-VARI-C-MS/tool-set	22000443
SP-C-CEE-MS/DI/32/94	22000448
SP-C-MS-CEE/GR/32/94	22000449
SP-SI-CEE/32/94	22000554
SP-CEE 1832 Switch interior 32/94	22000608
SP-CEE Knob 1832	22000692

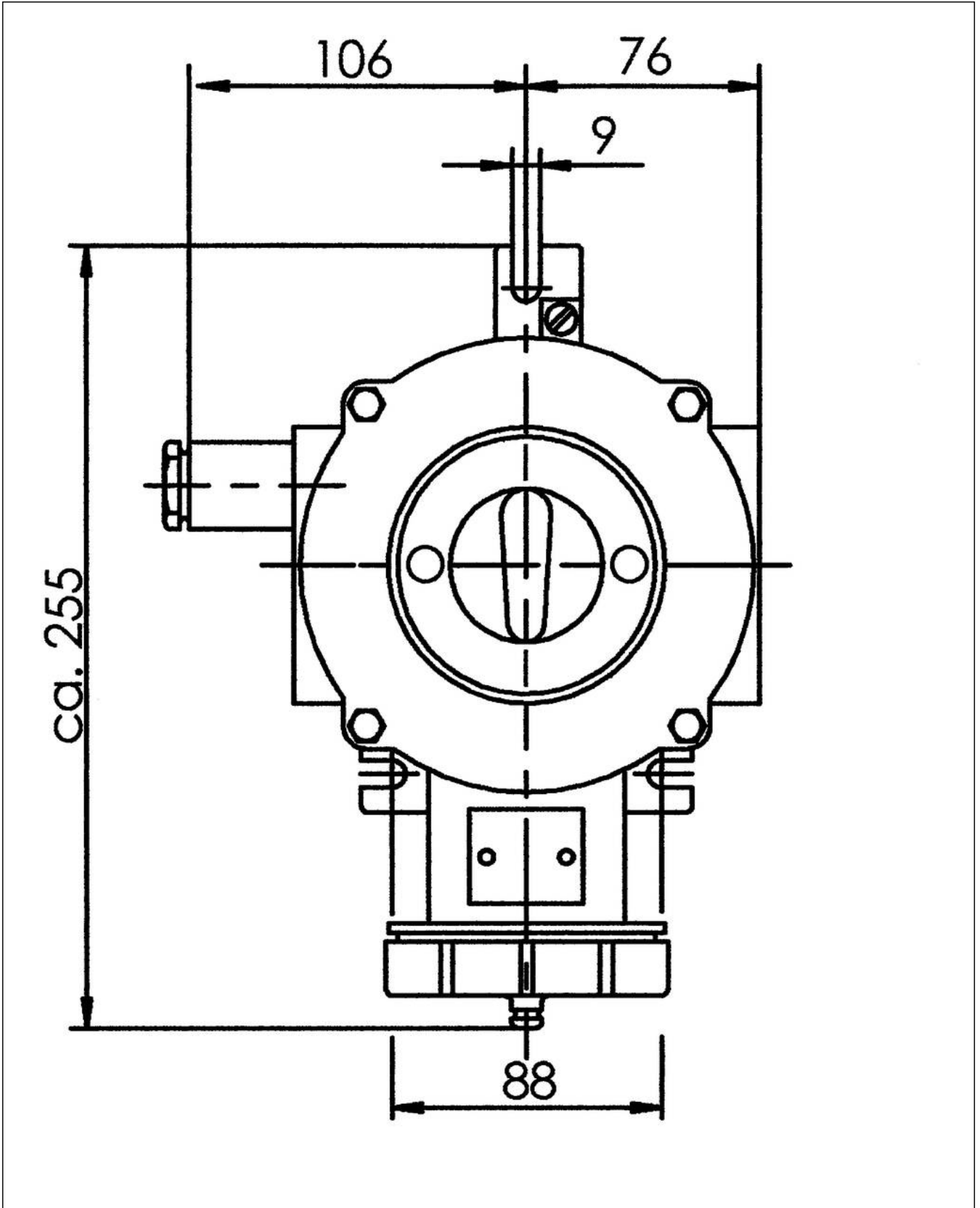
12.05.2026

Your Contact:

WISKA India Pvt. Ltd.

Mr. Omkar Ashar · Unit No.247/248,Raheja Tesla Industrial District II , Edison Bldg No.-1A,
Plot No.GEN2/1/C/PART, TTC Industrial Area, MIDC, Juinagar, Navi Mumbai 400705, India

☎ +91-22-4967-1438 · ☎ +91-22-4967-1439 · o.ashar@wiska.in · www.wiska.in

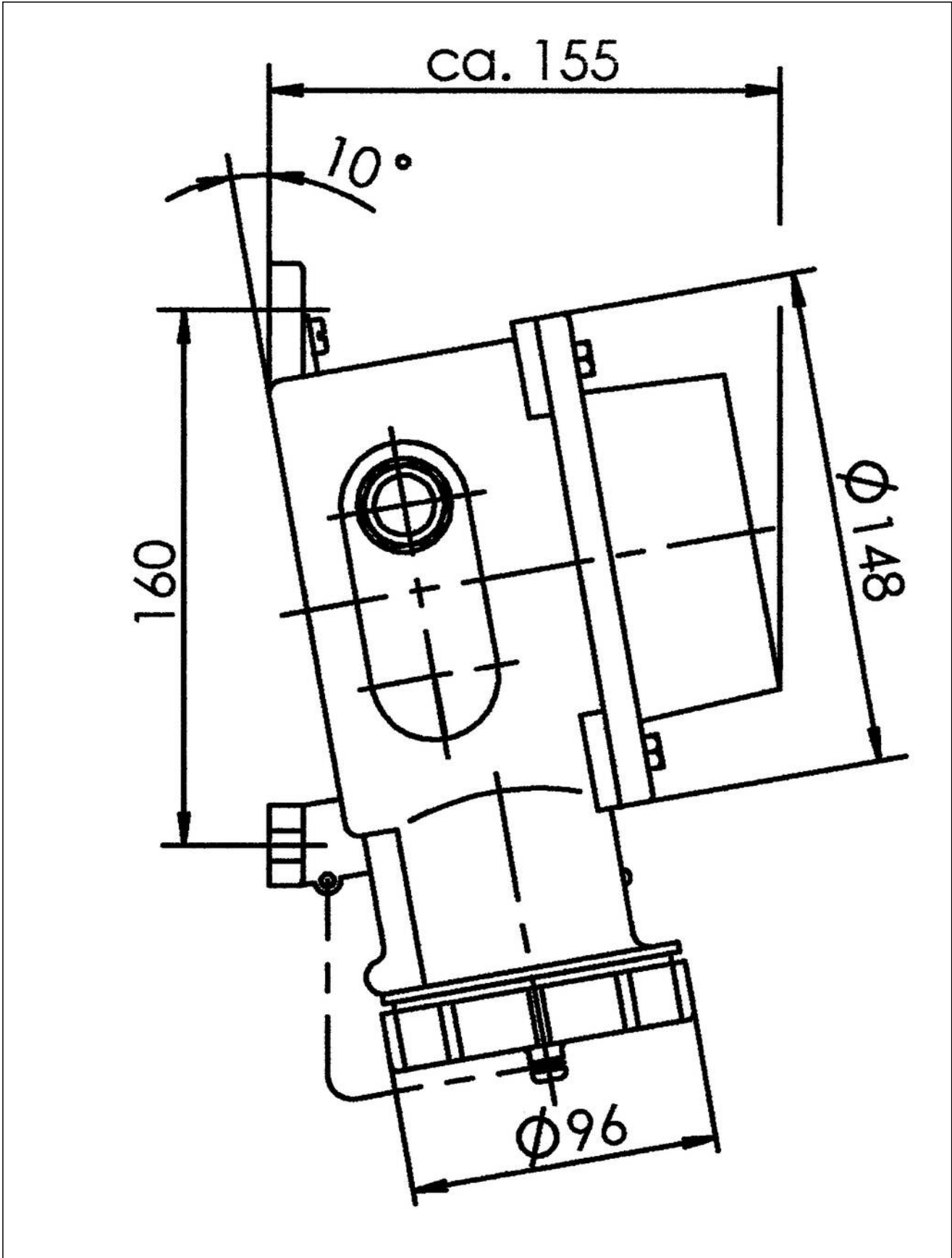


Your Contact:

WISKA India Pvt. Ltd.

Mr. Omkar Ashar · Unit No.247/248, Raheja Tesla Industrial District II , Edison Bldg No.-1A,
Plot No.GEN2/1/C/PART, TTC Industrial Area, MIDC, Juinagar, Navi Mumbai 400705, India

☎ +91-22-4967-1438 · ☎ +91-22-4967-1439 · o.ashar@wiska.in · www.wiska.in



Your Contact:

WISKA India Pvt. Ltd.

Mr. Omkar Ashar · Unit No.247/248, Raheja Tesla Industrial District II , Edison Bldg No.-1A,
Plot No.GEN2/1/C/PART, TTC Industrial Area, MIDC, Juinagar, Navi Mumbai 400705, India

☎ +91-22-4967-1438 · ☎ +91-22-4967-1439 · o.ashar@wiska.in · www.wiska.in