

## SH400 -575-K(220)-P04

Searchlight with metal halide lamp Ø 400mm 575W 230V



Products may differ in size, colour and appearance to those shown. If you require further information or customisation, please contact us directly.

<b>WISKA-Order no.</b>	10021011
<b>Type</b>	SH400 -575-K(220)-P04
<b>Material</b>	Stainless steel
<b>Wattage</b>	575 W
<b>Colour</b>	RAL 9016
<b>Surface</b>	Powder coated
<b>Voltage</b>	230 V
<b>Type of Voltage</b>	AC
<b>Frequence</b>	50/60 Hz
<b>Protection class</b>	IP56
<b>Operational areas</b>	Outdoor
<b>Reflector</b>	Glass
<b>Focusing</b>	fixed focus
<b>Lightsource</b>	Metal halide lamp
<b>Lightsource incl.</b>	Yes
<b>Bulb shape</b>	rod shaped
<b>Colour temperature</b>	6000 K
<b>Luminous flux</b>	49000 lm
<b>Average lamp durability</b>	1000 h
<b>Light performance</b>	Maximum light after 45 sec., immediately
<b>Range (1 lux)</b>	3460 m
<b>Light intensity mio/cd</b>	12
<b>Divergence</b>	6°/10
<b>Lampholder</b>	SFc10-4
<b>Number of lampholder</b>	1 ST

Your Contact:

WISKA India Pvt. Ltd.

Mr. Omkar Ashar · Unit No.247/248,Raheja Tesla Industrial District II , Edison Bldg No.-1A,  
Plot No.GEN2/1/C/PART, TTC Industrial Area, MIDC, Juinagar, Navi Mumbai 400705, India

☎ +91-22-4967-1438 · ☎ +91-22-4967-1439 · o.ashar@wiska.in · www.wiska.in

Temp. range min	-25 °C
Temp. range max	45 °C
Power supply, standard	PSUH: HMI, 575W, 230VAC
Type of cable gland	M 25 x 1,5
Material cable gland	Polyamide
Type of cable	non-armoured
Power cable	NYSLYÖ-JZ 5x1,5mm <sup>2</sup>
Ø cable diameter min	9 mm
Ø cable diameter max	17 mm
Globe colour	Clear
Mounting	Upside
Weight	48 kg
Tariff number	94054910

## Remarks:

SH400: Searchlight with metal halide lamp 575W, IP56 glass parabolic mirror 400mm  
575W

K(220):Power supply unit, conventional, PSUH, 220V

P04: Deck, Aluminium

## Equipment:

- Toughened front glass
- Rubber sealing
- Quick fastening devices
- Ignition unit and stand-by heater
- Connection cable 3m
- Anti dazzle screen

## Spare parts

SP-SW/SH/SKS-400 front frame+front glass	22000038
SP-S-Quick releases clamp (4 pcs)	22000050
SP-SKS-Auxiliary mirror LSH 400/450	22000106
SP-SH/SKS-Metal halide discharge lamp	22000107
SP-SH/SKS-Series impedance for 575W	22000110
SP-SW-Gasket for searchlight housing	22000116
SP-SH-Ignitor HMI 575	22000611
SP-SH400 Primary mirror	22000746

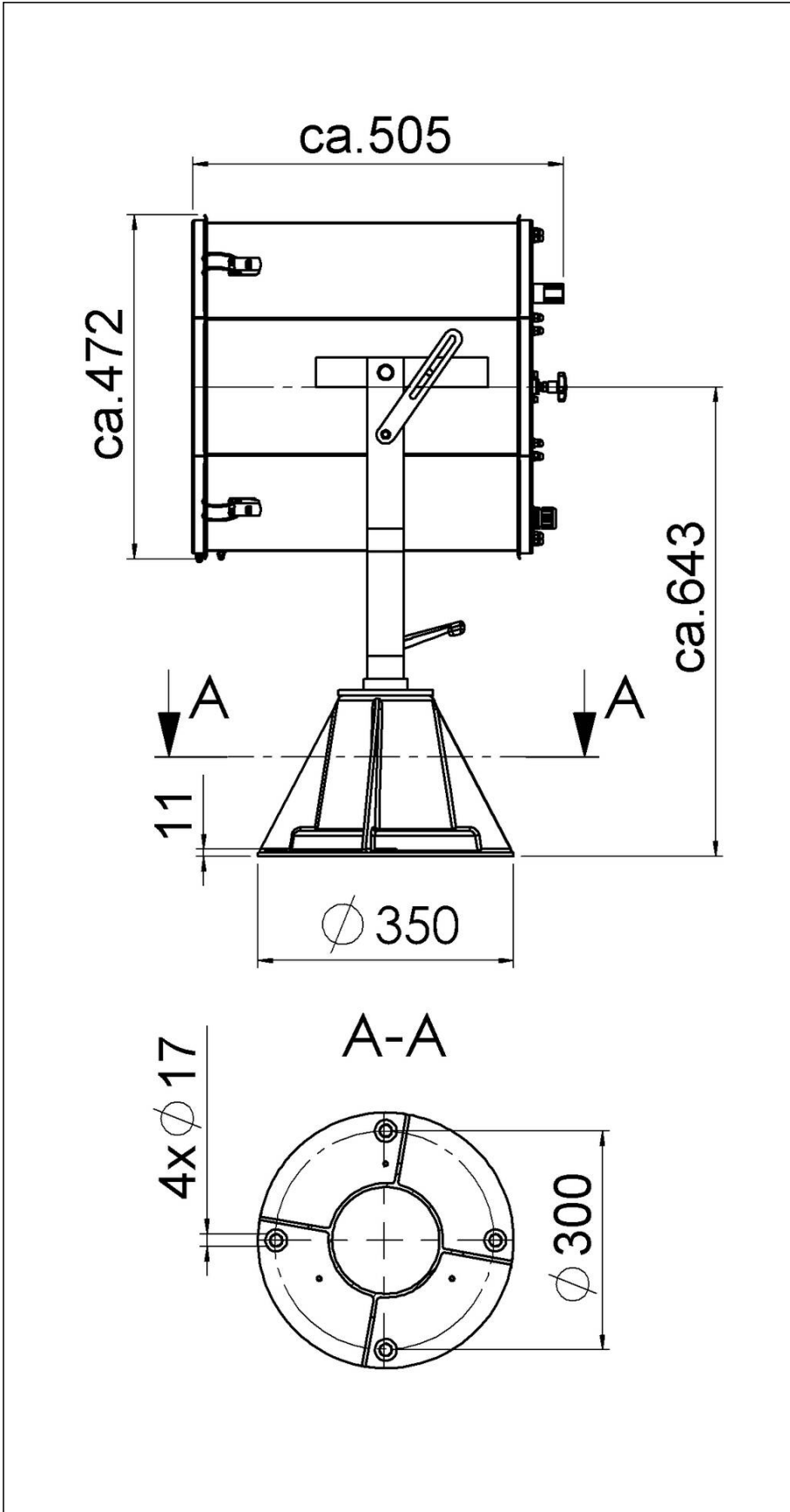
12.05.2026

## Your Contact:

WISKA India Pvt. Ltd.

Mr. Omkar Ashar · Unit No.247/248,Raheja Tesla Industrial District II , Edison Bldg No.-1A,  
Plot No.GEN2/1/C/PART, TTC Industrial Area, MIDC, Juinagar, Navi Mumbai 400705, India

☎ +91-22-4967-1438 · ☎ +91-22-4967-1439 · o.ashar@wiska.in · www.wiska.in



Your Contact:

WISKA India Pvt. Ltd.

Mr. Omkar Ashar · Unit No.247/248,Raheja Tesla Industrial District II , Edison Bldg No.-1A,  
Plot No.GEN2/1/C/PART, TTC Industrial Area, MIDC, Juinagar, Navi Mumbai 400705, India

☎ +91-22-4967-1438 · ☎ +91-22-4967-1439 · o.ashar@wiska.in · www.wiska.in



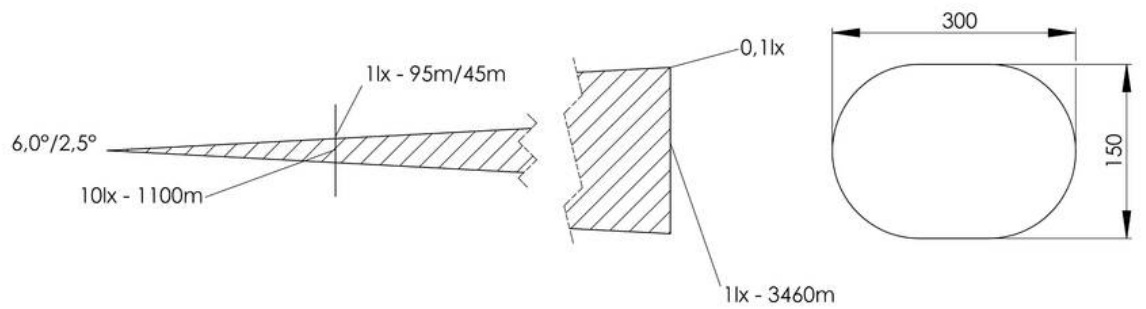
Your Contact:

**WISKA India Pvt. Ltd.**

Mr. Omkar Ashar · Unit No.247/248,Raheja Tesla Industrial District II , Edison Bldg No.-1A,  
Plot No.GEN2/1/C/PART, TTC Industrial Area, MIDC, Juinagar, Navi Mumbai 400705, India

☎ +91-22-4967-1438 · ☎ +91-22-4967-1439 · o.ashar@wiska.in · www.wiska.in

Other technical data on request / subject to change without notice



Your Contact:

**WISKA India Pvt. Ltd.**

Mr. Omkar Ashar · Unit No.247/248,Raheja Tesla Industrial District II , Edison Bldg No.-1A,  
Plot No.GEN2/1/C/PART, TTC Industrial Area, MIDC, Juinagar, Navi Mumbai 400705, India

☎ +91-22-4967-1438 · ☎ +91-22-4967-1439 · o.ashar@wiska.in · www.wiska.in