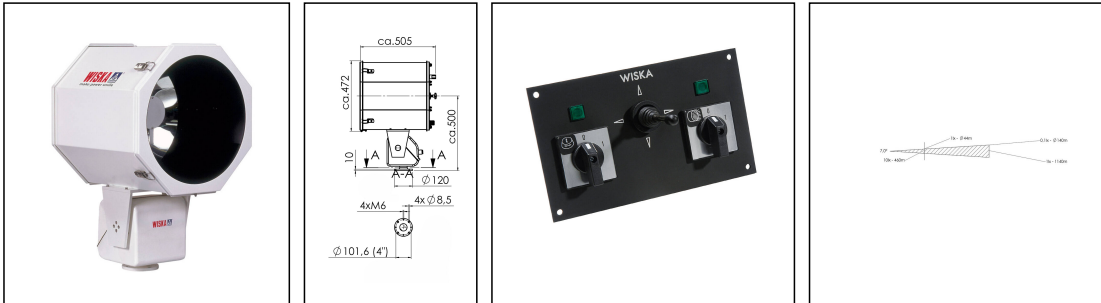


SW400A-1000-X(230)-P14-R02

Searchlight for halogen lamp Ø 400mm 1000W 230V, aluminium reflector



Products may differ in size, colour and appearance to those shown. If you require further information or customisation, please contact us directly.

WISKA-Order no.	10021044
Type	SW400A-1000-X(230)-P14-R02
P/T-Type	FL20/230VAC
Horizontal °/s	5 °/sec
Vertical °/s	2,4 °/sec
Rotation horizontal	330 °
Rotation vertical	+50 ° / -70 °
Material	Stainless steel
Colour	RAL 9016
Surface	Powder coated
Wattage	1000 W
Voltage max. (V)	230 V
Type of Voltage	AC
Frequence	50/60 Hz
Protection class	IP56
Operational areas	Outdoor
Reflector	Aluminium
Focusing	fixed focus
Lightsource	Halogen lamp
Lightsource incl.	No
Light performance	immediately
Range (1 lux)	1125 m
Light intensity mio/cd	1,3
Divergence	7°/10
Lampholder	GX 9,5

Your Contact:

WISKA India Pvt. Ltd.

Mr. Omkar Ashar · Unit No.247/248,Raheja Tesla Industrial District II , Edison Bldg No.-1A,
Plot No.GEN2/1/C/PART, TTC Industrial Area, MIDC, Juinagar, Navi Mumbai 400705, India

☎ +91-22-4967-1438 · ☎ +91-22-4967-1439 · o.ashar@wiska.in · www.wiska.in

Number of lampholder	1 ST
Temp. range min	-25 °C
Temp. range max	45 °C
Control unit	RCU-E
Type of cable gland	ESKVS 20
Material cable gland	Polyamide
Type of cable	non-armoured
Power cable	H07RN-F 3x1,5mm ²
Ø cable diameter min	6 mm
Ø cable diameter max	13 mm
Globe colour	Clear
Mounting	Upside
Weight	32,7 kg
Tariff number	94054910

Remarks:

SW400A: Searchlight for halogen-lamp 230V, IP56, aluminium parabolic mirror 400mm
 1000W
 Voltage: 230V
 P14: Pan and Tilt unit FL20, 230V
 R02: Remote control unit, recessed, RCU-E, 230V

Equipment:

- Toughened front glass
- Rubber sealing
- Quick fastening devices
- Connection cable 3m
- Anti dazzle screen
- Approval by China Classification Society

Spare parts

SP-SW/SH/SKS-400 front frame+front glass	22000038
SP-SW400A Primary reflector	22000040
SP-SW-Halogen lamp 1000W 230V GX9,5	22000041
SP-SW-1997 Lampholder GX 9,5	22000044
SP-S-FL20 Motor (230VAC) Kit tilt (V)	22000048
SP-S-FL20 Motor (230VAC) Kit pan (H)	22000049
SP-S-Quick releases clamp (4 pcs)	22000050
SP-S-RCU-Position control switch XD2-GE3	22000060

Your Contact:

WISKA India Pvt. Ltd.

Mr. Omkar Ashar · Unit No.247/248,Raheja Tesla Industrial District II , Edison Bldg No.-1A,
 Plot No.GEN2/1/C/PART, TTC Industrial Area, MIDC, Juinagar, Navi Mumbai 400705, India

☎ +91-22-4967-1438 · ☎ +91-22-4967-1439 · o.ashar@wiska.in · www.wiska.in

SP-S-RCU-ON/OFF Switch	22000061
SP-S-RCU-Lamp on indicator 230V square	22000062
SP-SW-Gasket for searchlight housing	22000116
SP-S-FL20 O-ring for casing lid	22000598

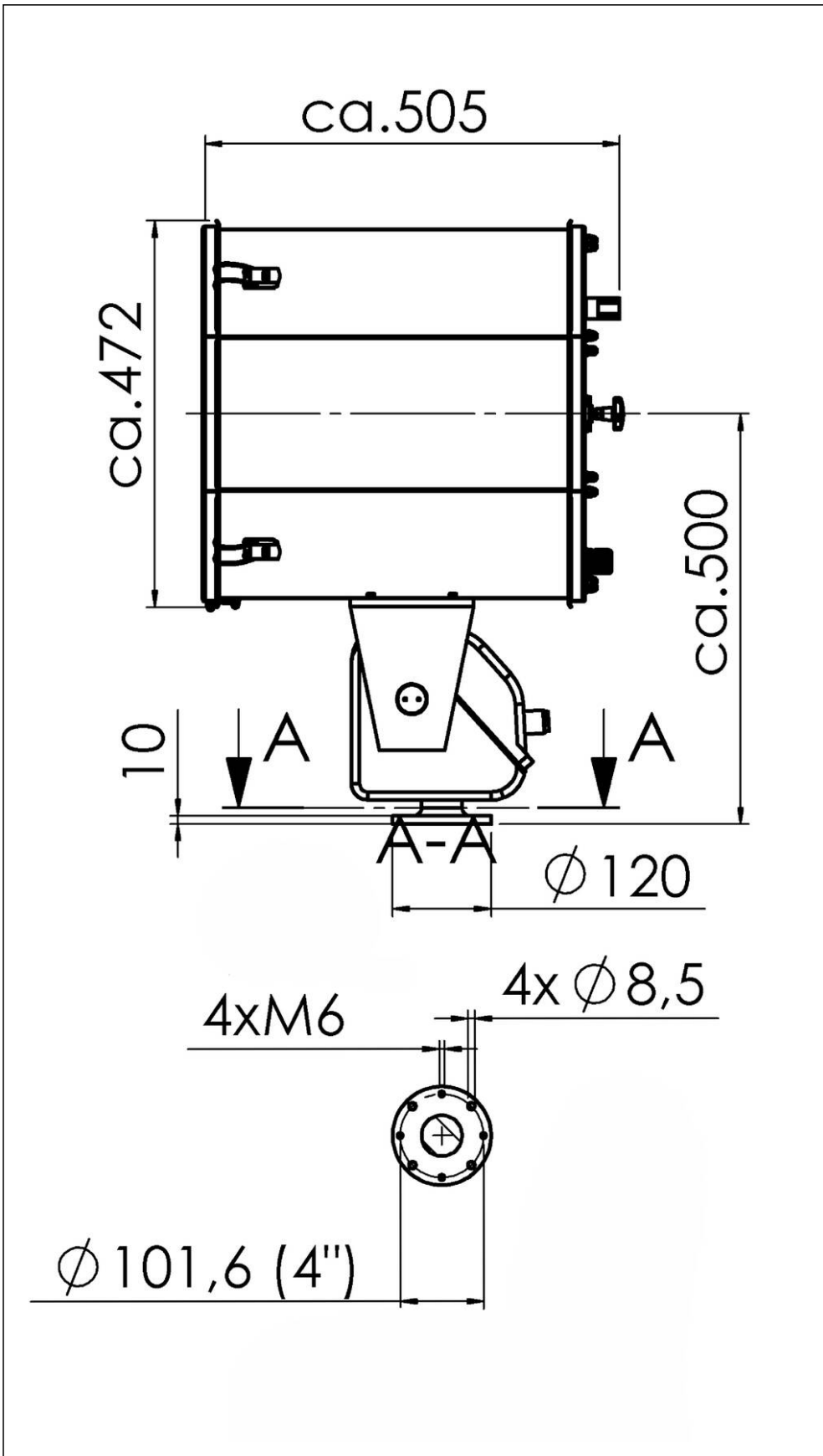
12.05.2026

Your Contact:

WISKA India Pvt. Ltd.

Mr. Omkar Ashar · Unit No.247/248,Raheja Tesla Industrial District II , Edison Bldg No.-1A,
Plot No.GEN2/1/C/PART, TTC Industrial Area, MIDC, Juinagar, Navi Mumbai 400705, India

☎ +91-22-4967-1438 · ☎ +91-22-4967-1439 · o.ashar@wiska.in · www.wiska.in

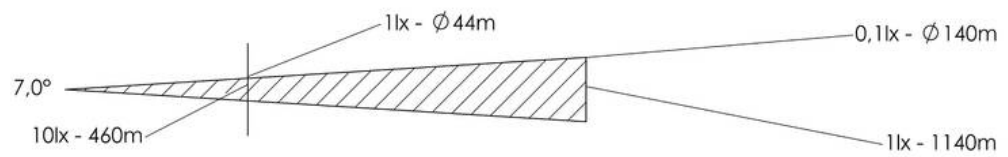


Your Contact:

WISKA India Pvt. Ltd.

Mr. Omkar Ashar · Unit No.247/248,Raheja Tesla Industrial District II , Edison Bldg No.-1A,
Plot No.GEN2/1/C/PART, TTC Industrial Area, MIDC, Juinagar, Navi Mumbai 400705, India

☎ +91-22-4967-1438 · ☎ +91-22-4967-1439 · o.ashar@wiska.in · www.wiska.in



Your Contact:

WISKA India Pvt. Ltd.

Mr. Omkar Ashar · Unit No.247/248,Raheja Tesla Industrial District II , Edison Bldg No.-1A,
Plot No.GEN2/1/C/PART, TTC Industrial Area, MIDC, Juinagar, Navi Mumbai 400705, India

☎ +91-22-4967-1438 · ☎ +91-22-4967-1439 · o.ashar@wiska.in · www.wiska.in

Other technical data on request / subject to change without notice