

SH450 -1200-K(220)-P04

Searchlight with metal halide lamp Ø 450mm 1200W 230V



Products may differ in size, colour and appearance to those shown. If you require further information or customisation, please contact us directly.

WISKA-Order no.	10021078
Type	SH450 -1200-K(220)-P04
Material	Stainless steel
Wattage	1200 W
Colour	RAL 9016
Surface	Powder coated
Voltage	230 V
Type of Voltage	AC
Frequence	50/60 Hz
Protection class	IP56
Operational areas	Outdoor
Reflector	Glass
Focusing	fixed focus
Lightsource	Metal halide lamp
Lightsource incl.	Yes
Bulb shape	rod shaped
Colour temperature	6000 K
Luminous flux	110000 lm
Average lamp durability	1000 h
Light performance	Maximum light after 45 sec., immediately
Range (1 lux)	4100 m
Light intensity mio/cd	17
Divergence	5°/10
Lampholder	SFc15,6-6
Number of lampholder	1 ST

Your Contact:

WISKA India Pvt. Ltd.

Mr. Omkar Ashar · Unit No.247/248,Raheja Tesla Industrial District II , Edison Bldg No.-1A,
Plot No.GEN2/1/C/PART, TTC Industrial Area, MIDC, Juinagar, Navi Mumbai 400705, India

☎ +91-22-4967-1438 · ☎ +91-22-4967-1439 · o.ashar@wiska.in · www.wiska.in

Temp. range min	-25 °C
Temp. range max	45 °C
Power supply, standard	PSUH: HMI, 1200W, 230VAC
Type of cable gland	ESKVS 20
Material cable gland	Polyamide
Type of cable	non-armoured
Power cable	NYSLYÖ-JZ 5x1,5mm ²
Ø cable diameter min	6 mm
Ø cable diameter max	13 mm
Globe colour	Clear
Mounting	Upside
Weight	51 kg
Tariff number	94054910

Remarks:

SH450: Searchlight with metal halide lamp 1200W, IP56 glass parabolic mirror 450mm
1200W

K(220): Power supply unit, conventional, PSUH, 220V

P04: Deck, Aluminium

Equipment:

- Toughened front glass
- Rubber sealing
- Quick fastening devices
- Ignition unit and stand-by heater
- Connection cable 3m
- Anti dazzle screen

Spare parts

SP-S-450 front frame + front glass	22000018
SP-SX/SH-450 Primary mirror	22000019
SP-S-Quick releases clamp (4 pcs)	22000050
SP-SKS-Auxiliary mirror LSH 400/450	22000106
SP-SW-Gasket for searchlight housing	22000116
SP-SH-Metal halide lamp 1200W 230V SFC	22000593
SP-SH450-PSUH-1200W Choke (L1)	22000800

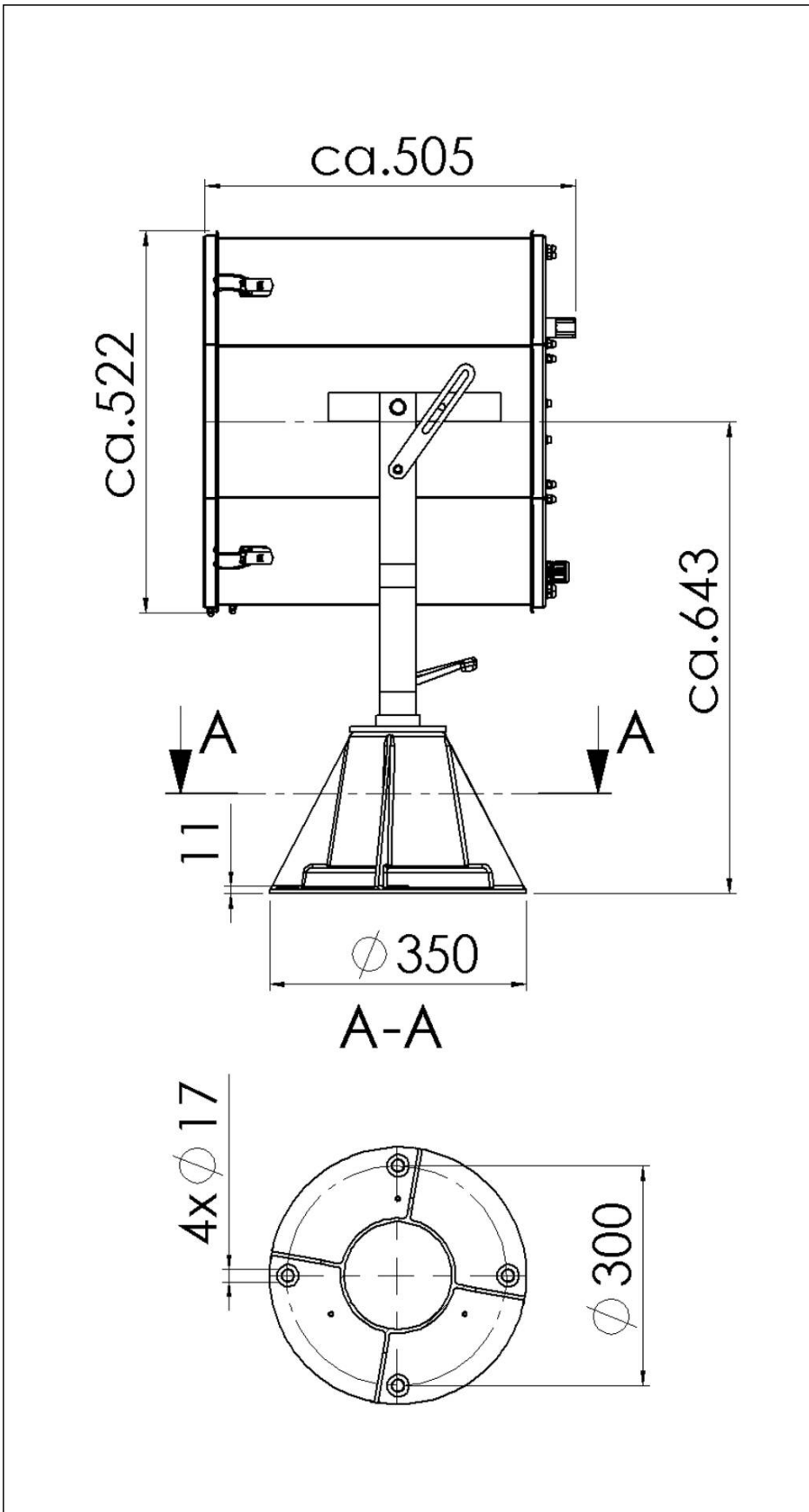
12.05.2026

Your Contact:

WISKA India Pvt. Ltd.

Mr. Omkar Ashar · Unit No.247/248,Raheja Tesla Industrial District II , Edison Bldg No.-1A,
Plot No.GEN2/1/C/PART, TTC Industrial Area, MIDC, Juinagar, Navi Mumbai 400705, India

☎ +91-22-4967-1438 · ☎ +91-22-4967-1439 · o.ashar@wiska.in · www.wiska.in



Your Contact:

WISKA India Pvt. Ltd.

Mr. Omkar Ashar · Unit No.247/248, Raheja Tesla Industrial District II , Edison Bldg No.-1A,
Plot No.GEN2/1/C/PART, TTC Industrial Area, MIDC, Juinagar, Navi Mumbai 400705, India

☎ +91-22-4967-1438 · ☎ +91-22-4967-1439 · o.ashar@wiska.in · www.wiska.in



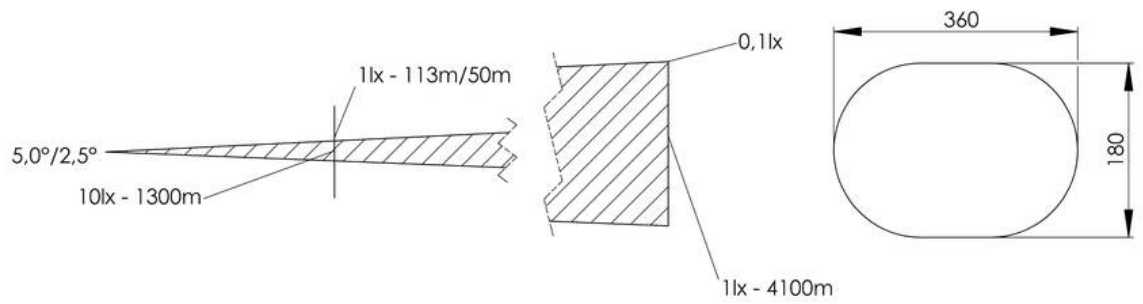
Your Contact:

WISKA India Pvt. Ltd.

Mr. Omkar Ashar · Unit No.247/248,Raheja Tesla Industrial District II , Edison Bldg No.-1A,
Plot No.GEN2/1/C/PART, TTC Industrial Area, MIDC, Juinagar, Navi Mumbai 400705, India

☎ +91-22-4967-1438 · ☎ +91-22-4967-1439 · o.ashar@wiska.in · www.wiska.in

Other technical data on request / subject to change without notice



Your Contact:

WISKA India Pvt. Ltd.

Mr. Omkar Ashar · Unit No.247/248,Raheja Tesla Industrial District II , Edison Bldg No.-1A,
Plot No.GEN2/1/C/PART, TTC Industrial Area, MIDC, Juinagar, Navi Mumbai 400705, India

☎ +91-22-4967-1438 · ☎ +91-22-4967-1439 · o.ashar@wiska.in · www.wiska.in

Other technical data on request / subject to change without notice