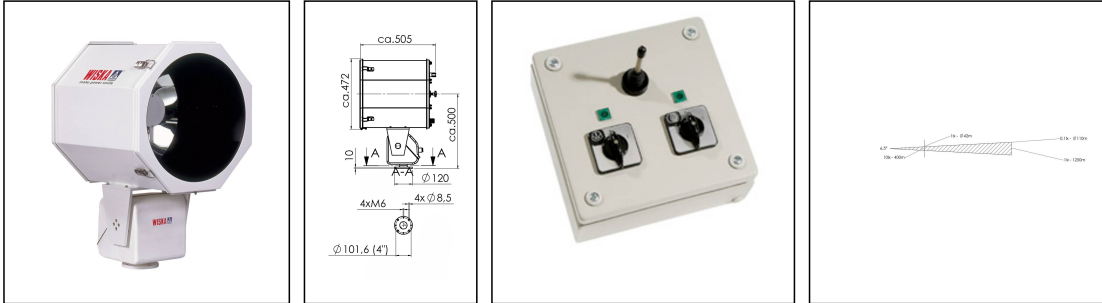


SW400 -1000-X(230)-P14-R01-I01

Searchlight for halogen lamp Ø 400mm 1000W 230V



Products may differ in size, colour and appearance to those shown. If you require further information or customisation, please contact us directly.

| | |
|-------------------------------|--------------------------------|
| WISKA-Order no. | 10021121 |
| Type | SW400 -1000-X(230)-P14-R01-I01 |
| P/T-Type | FL20/230VAC |
| Horizontal °/s | 5 °/sec |
| Vertical °/s | 2,4 °/sec |
| Rotation horizontal | 330 ° |
| Rotation vertical | +50 ° / -70 ° |
| Material | Stainless steel |
| Colour | RAL 9016 |
| Surface | Powder coated |
| Wattage | 1000 W |
| Voltage max. (V) | 230 V |
| Type of Voltage | AC |
| Frequence | 50/60 Hz |
| Protection class | IP56 |
| Operational areas | Outdoor |
| Reflector | Glass |
| Focusing | manuel |
| Lightsource | Halogen lamp |
| Lightsource incl. | No |
| Light performance | immediately |
| Range (1 lux) | 1250 m |
| Light intensity mio/cd | 1,5 |
| Divergence | 6,5°/10 |
| Lampholder | GX 9,5 |

Your Contact:

WISKA India Pvt. Ltd.

Mr. Omkar Ashar · Unit No.247/248,Raheja Tesla Industrial District II , Edison Bldg No.-1A,
Plot No.GEN2/1/C/PART, TTC Industrial Area, MIDC, Juinagar, Navi Mumbai 400705, India

☎ +91-22-4967-1438 · ☎ +91-22-4967-1439 · o.ashar@wiska.in · www.wiska.in

| | |
|----------------------|------------------------------|
| Number of lampholder | 1 ST |
| Temp. range min | -25 °C |
| Temp. range max | 45 °C |
| Control unit | RCU-A |
| Type of cable gland | ESKVS 20 |
| Material cable gland | Polyamide |
| Type of cable | non-armoured |
| Power cable | H07RN-F 3x1,5mm ² |
| Ø cable diameter min | 6 mm |
| Ø cable diameter max | 13 mm |
| Globe colour | Clear |
| Mounting | Upside |
| Weight | 40 kg |
| Tariff number | 94054910 |

Remarks:

SW400: Searchlight for halogen-lamp 1000W, IP56, glass parabolic mirror 400mm
1000W

Voltage: 230V

P14: Pan and Tilt unit FL20, 230V

R01: Remote control unit, surface, RCU-A, 230V

I01: manuel, stepless focusing

Equipment:

- Toughened front glass
- Rubber sealing
- Quick fastening devices
- Connection cable 3m
- Anti dazzle screen
- Approval by China Classification Society

Spare parts

| | |
|--|----------|
| SP-SW/SH/SKS-400 front frame+front glass | 22000038 |
| SP-SW400 Mirror unit 1000W | 22000039 |
| SP-SW-Halogen lamp 1000W 230V GX9,5 | 22000041 |
| SP-SW-1997 Lampholder GX 9,5 | 22000044 |
| SP-S-FL20 Motor (230VAC) Kit tilt (V) | 22000048 |
| SP-S-FL20 Motor (230VAC) Kit pan (H) | 22000049 |
| SP-S-Quick releases clamp (4 pcs) | 22000050 |
| SP-S-RCU-Position control switch XD2-GE3 | 22000060 |

Your Contact:

WISKA India Pvt. Ltd.

Mr. Omkar Ashar · Unit No.247/248,Raheja Tesla Industrial District II , Edison Bldg No.-1A,
Plot No.GEN2/1/C/PART, TTC Industrial Area, MIDC, Juinagar, Navi Mumbai 400705, India

☎ +91-22-4967-1438 · ☎ +91-22-4967-1439 · o.ashar@wiska.in · www.wiska.in

| | |
|---|----------|
| SP-S-RCU-ON/OFF Switch | 22000061 |
| SP-S-RCU-Lamp on indicator 230V square | 22000062 |
| SP-SW-Gasket for searchlight housing | 22000116 |
| SP-S-FL20 O-ring for casing lid | 22000598 |

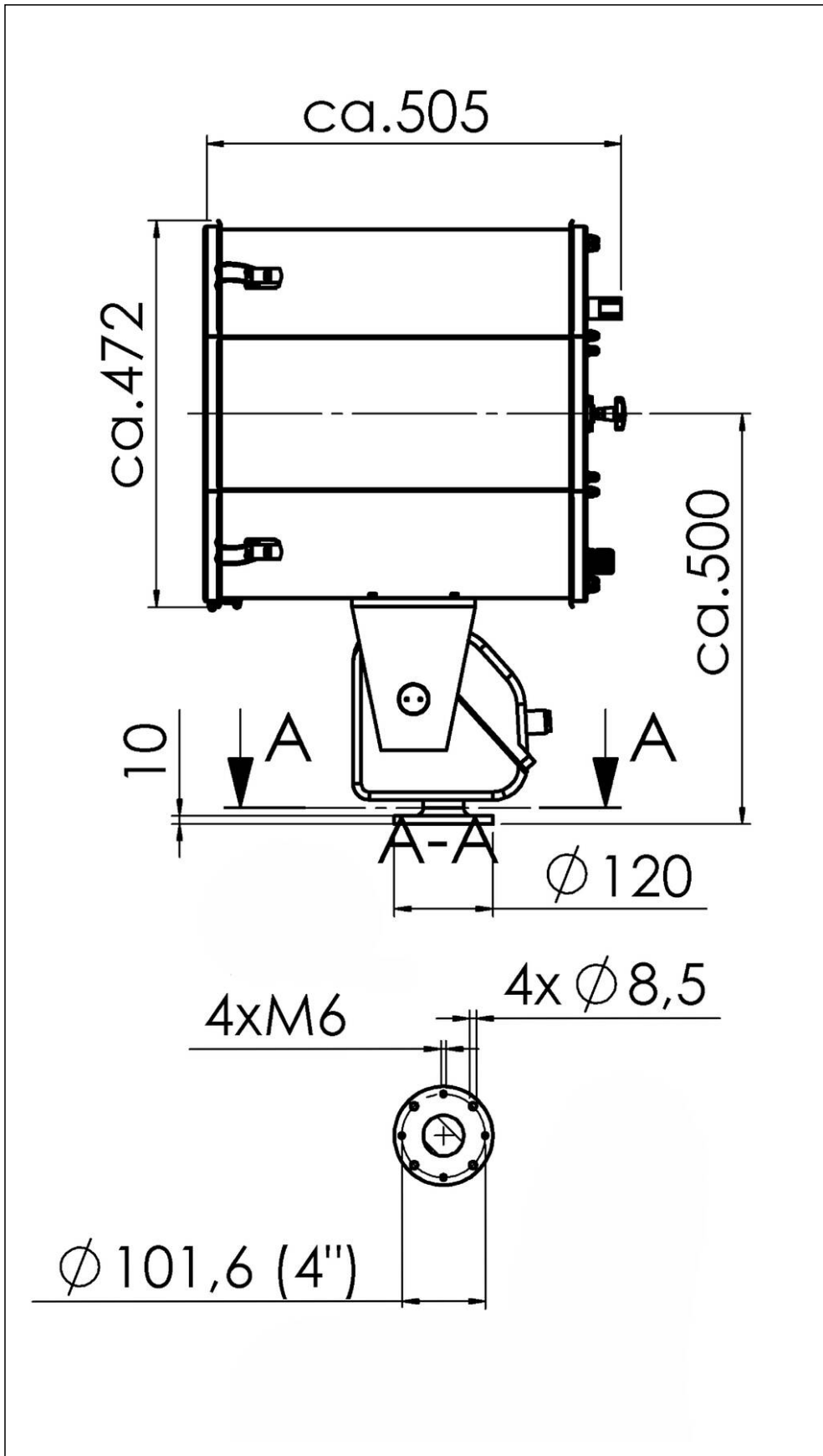
12.05.2026

Your Contact:

WISKA India Pvt. Ltd.

Mr. Omkar Ashar · Unit No.247/248,Raheja Tesla Industrial District II , Edison Bldg No.-1A,
Plot No.GEN2/1/C/PART, TTC Industrial Area, MIDC, Juinagar, Navi Mumbai 400705, India

☎ +91-22-4967-1438 · ☎ +91-22-4967-1439 · o.ashar@wiska.in · www.wiska.in

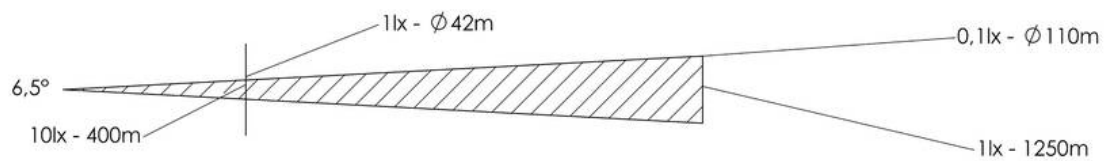


Your Contact:

WISKA India Pvt. Ltd.

Mr. Omkar Ashar · Unit No.247/248,Raheja Tesla Industrial District II , Edison Bldg No.-1A,
Plot No.GEN2/1/C/PART, TTC Industrial Area, MIDC, Juinagar, Navi Mumbai 400705, India

☎ +91-22-4967-1438 · ☎ +91-22-4967-1439 · o.ashar@wiska.in · www.wiska.in



Your Contact:

WISKA India Pvt. Ltd.

Mr. Omkar Ashar · Unit No.247/248,Raheja Tesla Industrial District II , Edison Bldg No.-1A,
Plot No.GEN2/1/C/PART, TTC Industrial Area, MIDC, Juinagar, Navi Mumbai 400705, India

☎ +91-22-4967-1438 · ☎ +91-22-4967-1439 · o.ashar@wiska.in · www.wiska.in

Other technical data on request / subject to change without notice