

SW300 -250-X(24)-P15-R06-I01

Searchlight for halogen lamps Ø 300mm 250W 24V



Products may differ in size, colour and appearance to those shown. If you require further information or customisation, please contact us directly.

WISKA-Order no.	10021304
Type	SW300 -250-X(24)-P15-R06-I01
P/T-Type	FL20/24VDC
Horizontal °/s	5 °/sec
Vertical °/s	2,4 °/sec
Rotation horizontal	330 °
Rotation vertical	+50 ° / -70 °
Material	Stainless steel
Colour	RAL 9016
Surface	Powder coated
Wattage	250 W
Voltage max. (V)	24 V
Type of Voltage	DC
Protection class	IP56
Operational areas	Outdoor
Reflector	Glass
Focusing	manuel
Lightsource	Halogen lamp
Lightsource incl.	No
Light performance	immediately
Range (1 lux)	1140 m
Light intensity mio/cd	1,3
Divergence	4,5°/10
Lampholder	G6,35
Number of lampholder	1 ST

Your Contact:

WISKA India Pvt. Ltd.

Mr. Omkar Ashar · Unit No.247/248,Raheja Tesla Industrial District II , Edison Bldg No.-1A,
Plot No.GEN2/1/C/PART, TTC Industrial Area, MIDC, Juinagar, Navi Mumbai 400705, India

☎ +91-22-4967-1438 · ☎ +91-22-4967-1439 · o.ashar@wiska.in · www.wiska.in

Temp. range min	-25 °C
Temp. range max	45 °C
Control unit	RCU-E
Type of cable gland	ESKVS 20
Material cable gland	Polyamide
Type of cable	non-armoured
Power cable	H07RN-F 3x1,5mm ²
Ø cable diameter min	6 mm
Ø cable diameter max	13 mm
Globe colour	Clear
Mounting	Upside
Weight	25 kg
Tariff number	94054910

Remarks:

SW300: Searchlight for halogen lamp 24V, IP56, glass parabolic mirror 300mm
250W

Voltage: 24V

P15: Pan and Tilt unit FL20, 24VDC

R06: Remote control unit, recessed, RCU-E, 24V

I01: manuel, stepless focusing

Equipment:

- Toughened front glass
- Rubber sealing
- Quick fastening devices
- Connection cable 3m
- Anti dazzle screen

Spare parts

SP-S-Quick releases clamp (4 pcs)	22000050
SP-S-RCU-Position control switch XD2-GE3	22000060
SP-S-RCU-ON/OFF Switch	22000061
SP-S-RCU-Lamp on indicator 230V square	22000062
SP-SW300-Front frame + Front glass cpl.	22000091
SP-SW-Halogen lamp 250W 24V G6,35	22000094
SP-1995 Lampholder G 6,35	22000100
SP-SW-Gasket for searchlight housing	22000116
SP-S-RCU-E-KL On/Off switch	22000440

Your Contact:

WISKA India Pvt. Ltd.

Mr. Omkar Ashar · Unit No.247/248,Raheja Tesla Industrial District II , Edison Bldg No.-1A,
Plot No.GEN2/1/C/PART, TTC Industrial Area, MIDC, Juinagar, Navi Mumbai 400705, India

☎ +91-22-4967-1438 · ☎ +91-22-4967-1439 · o.ashar@wiska.in · www.wiska.in

SP-S-RCU-E-KL /24V Lamp on indicator	22000441
SP-S-RCU-E-KL Joystick for RC	22000442
SP-S-FL20 O-ring for casing lid	22000598

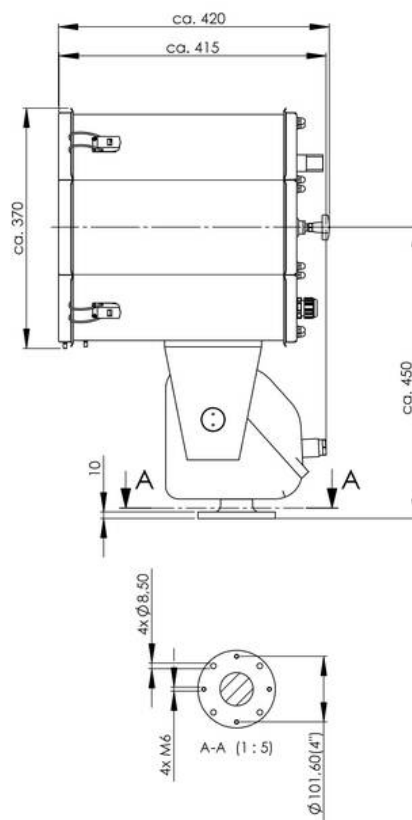
12.05.2026

Your Contact:

WISKA India Pvt. Ltd.

Mr. Omkar Ashar · Unit No.247/248,Raheja Tesla Industrial District II , Edison Bldg No.-1A,
Plot No.GEN2/1/C/PART, TTC Industrial Area, MIDC, Juinagar, Navi Mumbai 400705, India

☎ +91-22-4967-1438 · ☎ +91-22-4967-1439 · o.ashar@wiska.in · www.wiska.in

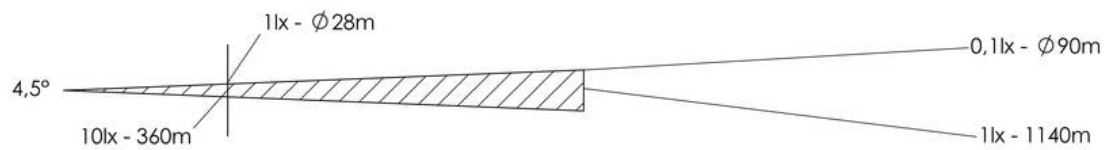


Your Contact:

WISKA India Pvt. Ltd.

Mr. Omkar Ashar · Unit No.247/248,Raheja Tesla Industrial District II , Edison Bldg No.-1A,
Plot No.GEN2/1/C/PART, TTC Industrial Area, MIDC, Juinagar, Navi Mumbai 400705, India

☎ +91-22-4967-1438 · ☎ +91-22-4967-1439 · o.ashar@wiska.in · www.wiska.in



Your Contact:

WISKA India Pvt. Ltd.

Mr. Omkar Ashar · Unit No.247/248,Raheja Tesla Industrial District II , Edison Bldg No.-1A,
Plot No.GEN2/1/C/PART, TTC Industrial Area, MIDC, Juinagar, Navi Mumbai 400705, India

☎ +91-22-4967-1438 · ☎ +91-22-4967-1439 · o.ashar@wiska.in · www.wiska.in

Other technical data on request / subject to change without notice