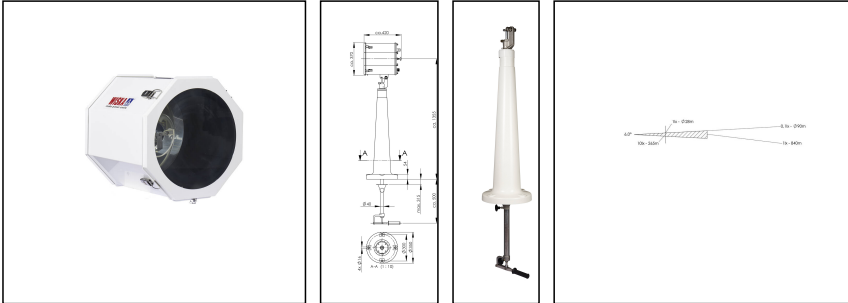


SW300 -500-X(230)-P12-I01

Searchlight for halogen lamps Ø 300mm 500W 230V



Products may differ in size, colour and appearance to those shown. If you require further information or customisation, please contact us directly.

WISKA-Order no.	10021308
Type	SW300 -500-X(230)-P12-I01
Material	Stainless steel
Colour	RAL 9016
Surface	Powder coated
Wattage	500 W
Voltage max. (V)	230 V
Type of Voltage	AC
Frequence	50/60 Hz
Protection class	IP56
Operational areas	Outdoor
Reflector	Glass
Focusing	manuel
Lightsource	Halogen lamp
Lightsource incl.	No
Light performance	immediately
Range (1 lux)	840 m
Light intensity mio/cd	0,7
Divergence	6°I/10
Lampholder	GY 9,5
Number of lampholder	1 ST
Temp. range min	-25 °C
Temp. range max	45 °C
Type of cable gland	ESKVS 20
Material cable gland	Polyamide

Your Contact:

WISKA India Pvt. Ltd.

Mr. Omkar Ashar · Unit No.247/248,Raheja Tesla Industrial District II , Edison Bldg No.-1A,
Plot No.GEN2/1/C/PART, TTC Industrial Area, MIDC, Juinagar, Navi Mumbai 400705, India

☎ +91-22-4967-1438 · ☎ +91-22-4967-1439 · o.ashar@wiska.in · www.wiska.in

Type of cable	non-armoured
Power cable	H07RN-F 3x1,5mm ²
Ø cable diameter min	6 mm
Ø cable diameter max	13 mm
Globe colour	Clear
Mounting	Upside
Weight	32 kg
Tariff number	94054910

Remarks:

SW300: Searchlight for halogen lamp 500W, IP56, glass parabolic mirror 300mm
500W

Voltage: 230V

P12: Cabin Control with pedestal, Polyurethan

I01: manuel, stepless focusing

Equipment:

- Toughened front glass
- Rubber sealing
- Quick fastening devices
- Connection cable 3m
- Anti dazzle screen

Spare parts

SP-SW-1996 Lampholder GY 9,5	22000045
SP-S-Quick releases clamp (4 pcs)	22000050
SP-SW300-Front frame + Front glass cpl.	22000091
SP-SW-Gasket for searchlight housing	22000116
SP-SW-Halogen lamp 500W 230V GY9,5	22000653

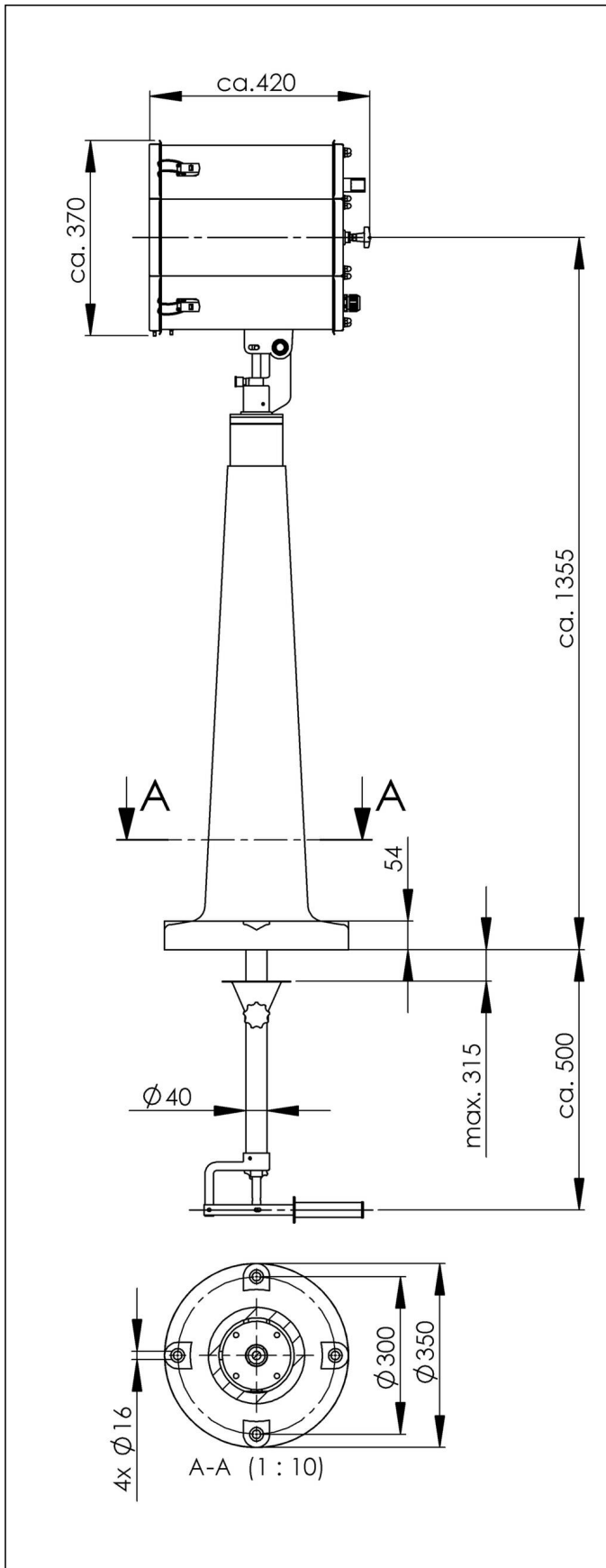
12.05.2026

Your Contact:

WISKA India Pvt. Ltd.

Mr. Omkar Ashar · Unit No.247/248,Raheja Tesla Industrial District II , Edison Bldg No.-1A,
Plot No.GEN2/1/C/PART, TTC Industrial Area, MIDC, Juinagar, Navi Mumbai 400705, India

☎ +91-22-4967-1438 · ☎ +91-22-4967-1439 · o.ashar@wiska.in · www.wiska.in

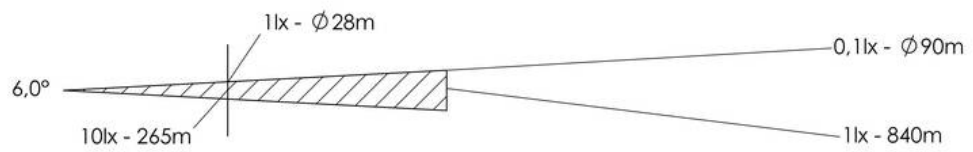


Your Contact:

WISKA India Pvt. Ltd.

Mr. Omkar Ashar · Unit No.247/248, Raheja Tesla Industrial District II , Edison Bldg No.-1A,
Plot No.GEN2/1/C/PART, TTC Industrial Area, MIDC, Juinagar, Navi Mumbai 400705, India

☎ +91-22-4967-1438 · ☎ +91-22-4967-1439 · o.ashar@wiska.in · www.wiska.in



Your Contact:

WISKA India Pvt. Ltd.

Mr. Omkar Ashar · Unit No.247/248,Raheja Tesla Industrial District II , Edison Bldg No.-1A,
Plot No.GEN2/1/C/PART, TTC Industrial Area, MIDC, Juinagar, Navi Mumbai 400705, India

☎ +91-22-4967-1438 · ☎ +91-22-4967-1439 · o.ashar@wiska.in · www.wiska.in

Other technical data on request / subject to change without notice