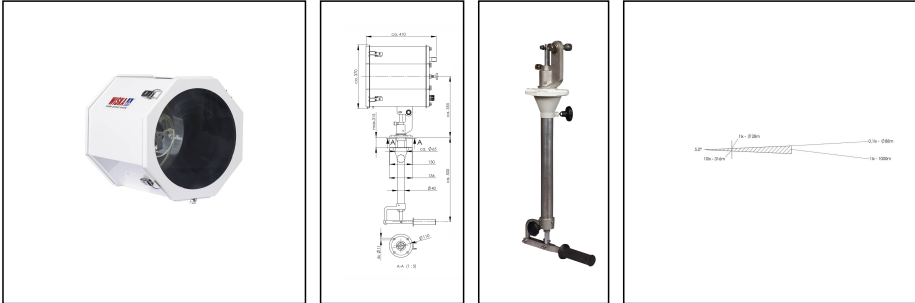


## SW300A-250-X(24)-P09

Searchlight for halogen lamps Ø 300mm 250W 24V, aluminium reflektor



Products may differ in size, colour and appearance to those shown. If you require further information or customisation, please contact us directly.

<b>WISKA-Order no.</b>	10021322
<b>Type</b>	SW300A-250-X(24)-P09
<b>Material</b>	Stainless steel
<b>Colour</b>	RAL 9016
<b>Surface</b>	Powder coated
<b>Wattage</b>	250 W
<b>Voltage max. (V)</b>	24 V
<b>Type of Voltage</b>	DC
<b>Protection class</b>	IP56
<b>Operational areas</b>	Outdoor
<b>Reflector</b>	Aluminium
<b>Focusing</b>	fixed focus
<b>Lightsource</b>	Halogen lamp
<b>Lightsource incl.</b>	No
<b>Light performance</b>	immediately
<b>Range (1 lux)</b>	1000 m
<b>Light intensity mio/cd</b>	1
<b>Divergence</b>	4,5°/10
<b>Lampholder</b>	G6,35
<b>Number of lampholder</b>	1 ST
<b>Temp. range min</b>	-25 °C
<b>Temp. range max</b>	45 °C
<b>Type of cable gland</b>	ESKVS 20
<b>Material cable gland</b>	Polyamide
<b>Type of cable</b>	non-armoured

Your Contact:

WISKA India Pvt. Ltd.

Mr. Omkar Ashar · Unit No.247/248,Raheja Tesla Industrial District II , Edison Bldg No.-1A,  
Plot No.GEN2/1/C/PART, TTC Industrial Area, MIDC, Juinagar, Navi Mumbai 400705, India

☎ +91-22-4967-1438 · ☎ +91-22-4967-1439 · o.ashar@wiska.in · www.wiska.in

<b>Power cable</b>	H07RN-F 3x1,5mm <sup>2</sup>
<b>Ø cable diameter min</b>	6 mm
<b>Ø cable diameter max</b>	13 mm
<b>Globe colour</b>	Clear
<b>Mounting</b>	Upside
<b>Weight</b>	17 kg
<b>Tariff number</b>	94054910

Remarks:

SW300A: Searchlight for halogen lamp 24V, IP56, aluminium parabolic mirror 300mm  
 250W  
 Voltage: 24V  
 P09: Cabin Control

Equipment:

- Toughened front glass
- Rubber sealing
- Quick fastening devices
- Connection cable 3m
- Anti dazzle screen

**Spare parts**

<b>SP-S-Quick releases clamp (4 pcs)</b>	22000050
<b>SP-SW300-Front frame + Front glass cpl.</b>	22000091
<b>SP-SW300A-Reflector 250W complete</b>	22000093
<b>SP-SW-Halogen lamp 250W 24V G6,35</b>	22000094
<b>SP-1995 Lampholder G 6,35</b>	22000100
<b>SP-SW-Gasket for searchlight housing</b>	22000116
<b>SP-SW Cabin Control C 300</b>	22000120

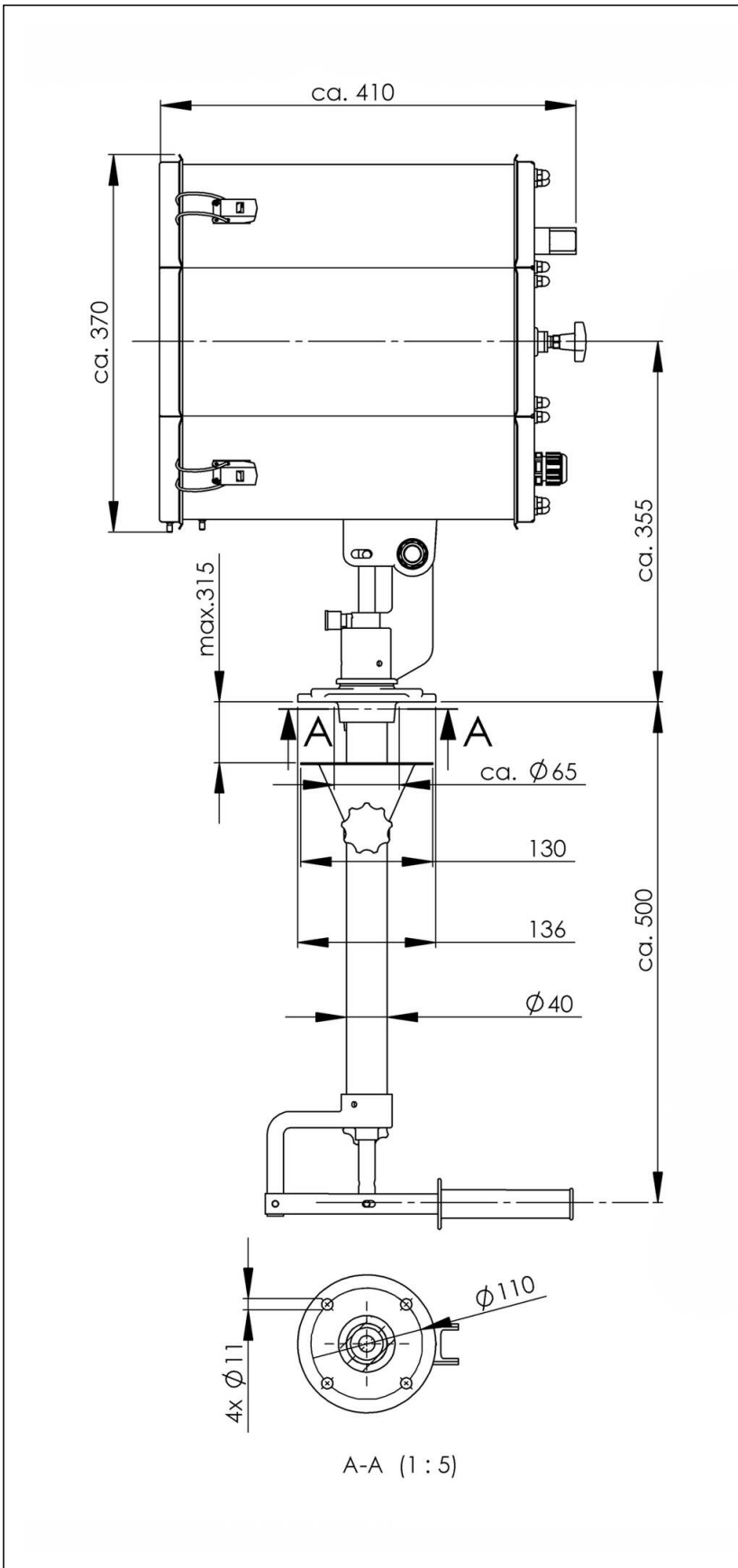
12.05.2026

Your Contact:

**WISKA India Pvt. Ltd.**

Mr. Omkar Ashar · Unit No.247/248,Raheja Tesla Industrial District II , Edison Bldg No.-1A,  
 Plot No.GEN2/1/C/PART, TTC Industrial Area, MIDC, Juinagar, Navi Mumbai 400705, India

☎ +91-22-4967-1438 · ☎ +91-22-4967-1439 · o.ashar@wiska.in · www.wiska.in

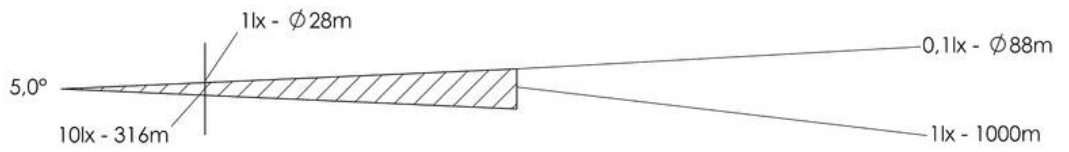


Your Contact:

**WISKA India Pvt. Ltd.**

Mr. Omkar Ashar · Unit No.247/248, Raheja Tesla Industrial District II, Edison Bldg No.-1A,  
Plot No.GEN2/1/C/PART, TTC Industrial Area, MIDC, Juinagar, Navi Mumbai 400705, India

☎ +91-22-4967-1438 · ☎ +91-22-4967-1439 · o.ashar@wiska.in · www.wiska.in



Your Contact:

**WISKA India Pvt. Ltd.**

Mr. Omkar Ashar · Unit No.247/248,Raheja Tesla Industrial District II , Edison Bldg No.-1A,  
Plot No.GEN2/1/C/PART, TTC Industrial Area, MIDC, Juinagar, Navi Mumbai 400705, India

☎ +91-22-4967-1438 · ☎ +91-22-4967-1439 · o.ashar@wiska.in · www.wiska.in

Other technical data on request / subject to change without notice