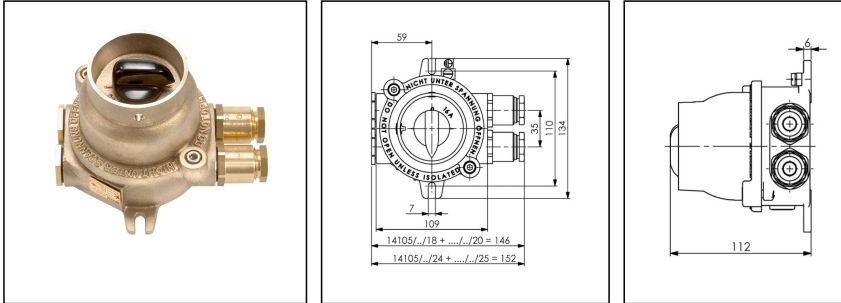



Ex-14105/2/2x24-Z14

Ex On-off switch 2-pole 16A, brass, IP66



Products may differ in size, colour and appearance to those shown. If you require further information or customisation, please contact us directly.



| | |
|------------------------------|---|
| WISKA-Order no. | 10030505 |
| Type | Ex-14105/2/2x24-Z14 |
| Material | Brass |
| Voltage | 690 V |
| Current | 16 A |
| Protection class | IP66 |
| Type of switch | On-Off, 2-pole |
| Temp. range min | -40 °C |
| Temp. range max | 55 °C |
| Using for cable gland |  |
| Type of cable gland | M 24 x 1,5 |
| Material cable gland | Brass |
| Type of cable | armoured |
| Ø cable diameter min | 12 mm |
| Ø cable diameter max | 14,5 mm |
| Explosion Groups | IIC, IIC |
| Approval | TÜV 14 ATEX 7568 X, IECEx TUR 15.0017X |
| Marking | II 2G Ex de IIC T6...T5 Gb, II 2D Ex tb IIC T80° Db |
| Zone | 21, 1 |
| Approval | DNV-GL, RMRS |
| Mounting | Surface mounting |
| Colour | Black |
| Weight | 1,95 kg |
| Variations | on request |
| M_00000190 | 85363010 |

Your Contact:

WISKA India Pvt. Ltd.

Mr. Omkar Ashar · Unit No.247/248,Raheja Tesla Industrial District II , Edison Bldg No.-1A,
Plot No.GEN2/1/C/PART, TTC Industrial Area, MIDC, Juinagar, Navi Mumbai 400705, India

+91-22-4967-1438 · +91-22-4967-1439 · o.ashar@wiska.in · www.wiska.in

Spare parts

| | |
|--------------------------------|----------|
| SP-Ex-E 4105 | 22000411 |
| SP-EX-14105 Switch knob | 22000865 |

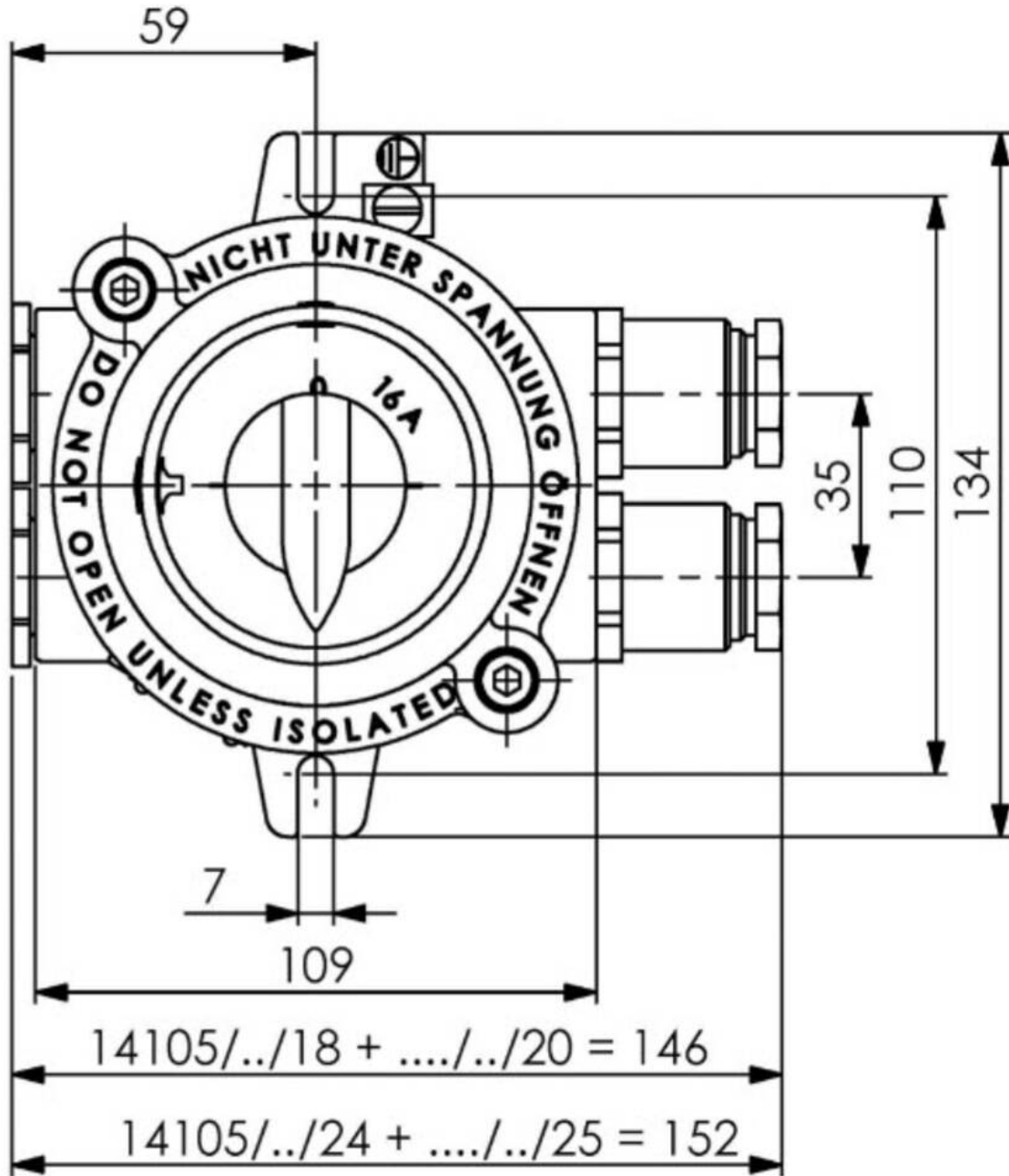
22.05.2026

Your Contact:

WISKA India Pvt. Ltd.

Mr. Omkar Ashar · Unit No.247/248,Raheja Tesla Industrial District II , Edison Bldg No.-1A,
Plot No.GEN2/1/C/PART, TTC Industrial Area, MIDC, Juinagar, Navi Mumbai 400705, India

☎ +91-22-4967-1438 · ☎ +91-22-4967-1439 · o.ashar@wiska.in · www.wiska.in

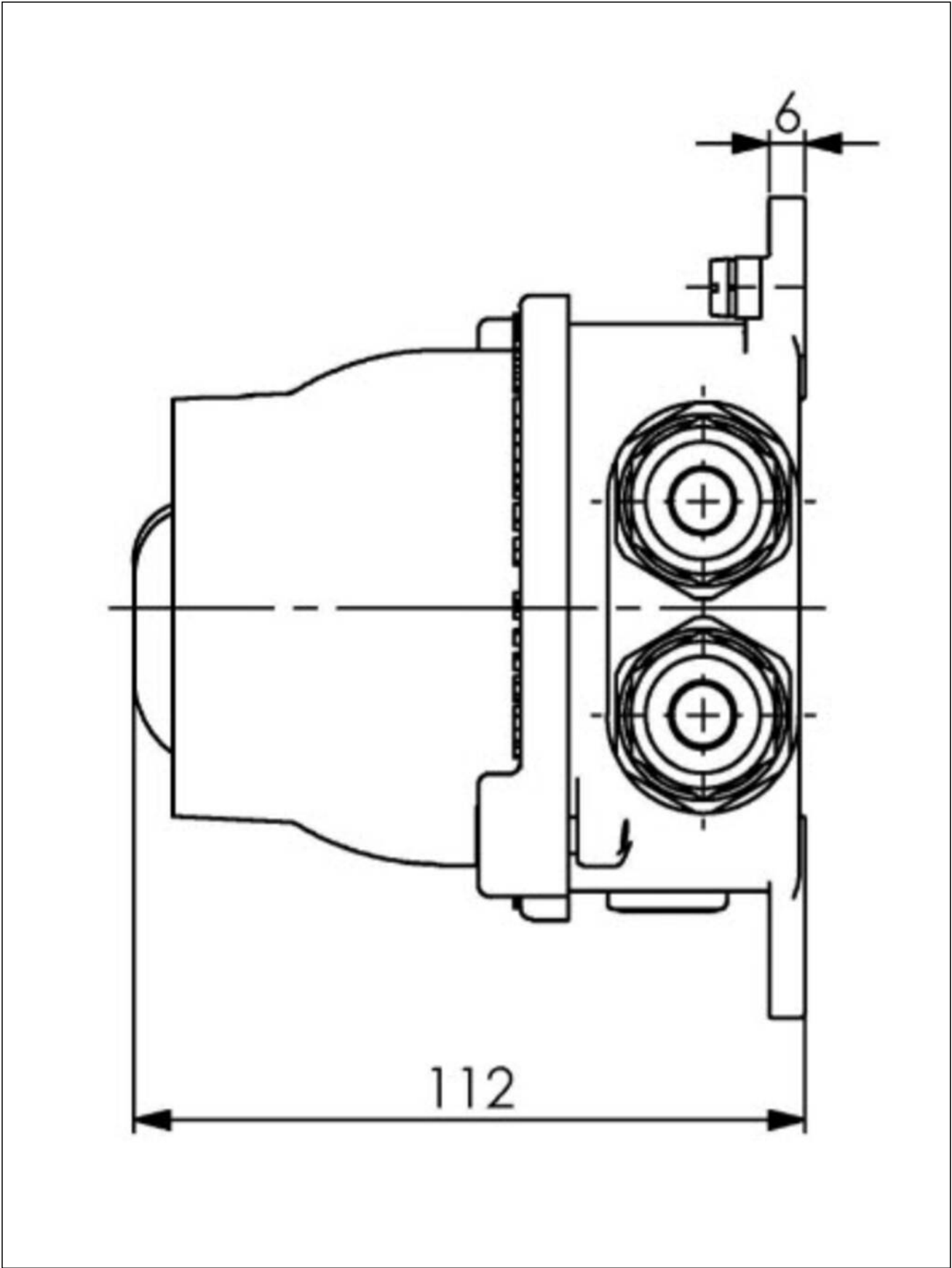


Your Contact:

WISKA India Pvt. Ltd.

Mr. Omkar Ashar · Unit No.247/248,Raheja Tesla Industrial District II , Edison Bldg No.-1A,
Plot No.GEN2/1/C/PART, TTC Industrial Area, MIDC, Juinagar, Navi Mumbai 400705, India

+91-22-4967-1438 · +91-22-4967-1439 · o.ashar@wiska.in · www.wiska.in



Your Contact:

WISKA India Pvt. Ltd.

Mr. Omkar Ashar · Unit No.247/248,Raheja Tesla Industrial District II , Edison Bldg No.-1A,
Plot No.GEN2/1/C/PART, TTC Industrial Area, MIDC, Juinagar, Navi Mumbai 400705, India

☎ +91-22-4967-1438 · ☎ +91-22-4967-1439 · o.ashar@wiska.in · www.wiska.in

Other technical data on request / subject to change without notice