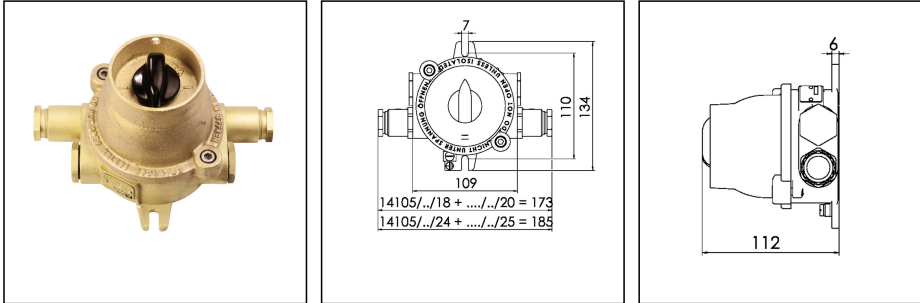



## Ex-14105/D/2x24-Z14

Ex On-off switch 2-pole 16A, brass, IP66



Products may differ in size, colour and appearance to those shown. If you require further information or customisation, please contact us directly.



<b>WISKA-Order no.</b>	10030506
<b>Type</b>	Ex-14105/D/2x24-Z14
<b>Material</b>	Brass
<b>Voltage</b>	690 V
<b>Current</b>	16 A
<b>Protection class</b>	IP66
<b>Type of switch</b>	On-Off, 2-pole
<b>Temp. range min</b>	-40 °C
<b>Temp. range max</b>	55 °C
<b>Using for cable gland</b>	
<b>Type of cable gland</b>	M 24 x 1,5
<b>Material cable gland</b>	Brass
<b>Type of cable</b>	armoured
<b>Ø cable diameter min</b>	12 mm
<b>Ø cable diameter max</b>	14,5 mm
<b>Explosion Groups</b>	IIC, IIC
<b>Approval</b>	TÜV 14 ATEX 7568 X, IECEx TUR 15.0017X
<b>Marking</b>	II 2G Ex de IIC T6...T5 Gb, II 2D Ex tb IIC T80° Db
<b>Zone</b>	21, 1
<b>Approval</b>	DNV-GL, RMRS
<b>Mounting</b>	Surface mounting
<b>Colour</b>	Black
<b>Weight</b>	1,93 kg
<b>Variations</b>	on request
<b>M_00000190</b>	85363010

Your Contact:

WISKA India Pvt. Ltd.

Mr. Omkar Ashar · Unit No.247/248,Raheja Tesla Industrial District II , Edison Bldg No.-1A,  
Plot No.GEN2/1/C/PART, TTC Industrial Area, MIDC, Juinagar, Navi Mumbai 400705, India

+91-22-4967-1438 · +91-22-4967-1439 · o.ashar@wiska.in · www.wiska.in

**Spare parts**

<b>SP-Ex-E 4105</b>	22000411
<b>SP-EX-14105 Switch knob</b>	22000865

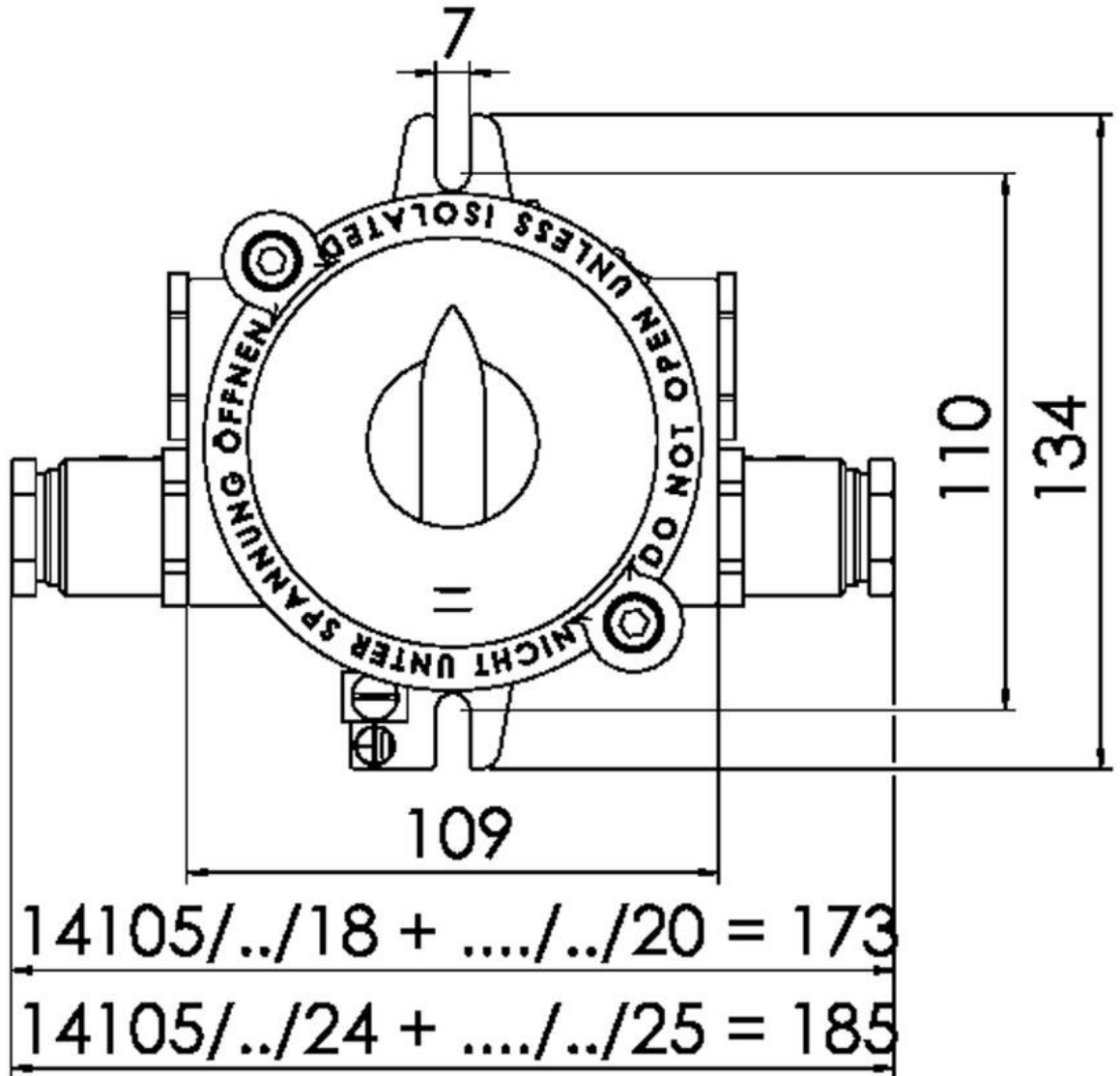
07.07.2026

Your Contact:

**WISKA India Pvt. Ltd.**

Mr. Omkar Ashar · Unit No.247/248,Raheja Tesla Industrial District II , Edison Bldg No.-1A,  
Plot No.GEN2/1/C/PART, TTC Industrial Area, MIDC, Juinagar, Navi Mumbai 400705, India

☎ +91-22-4967-1438 · ☎ +91-22-4967-1439 · o.ashar@wiska.in · www.wiska.in

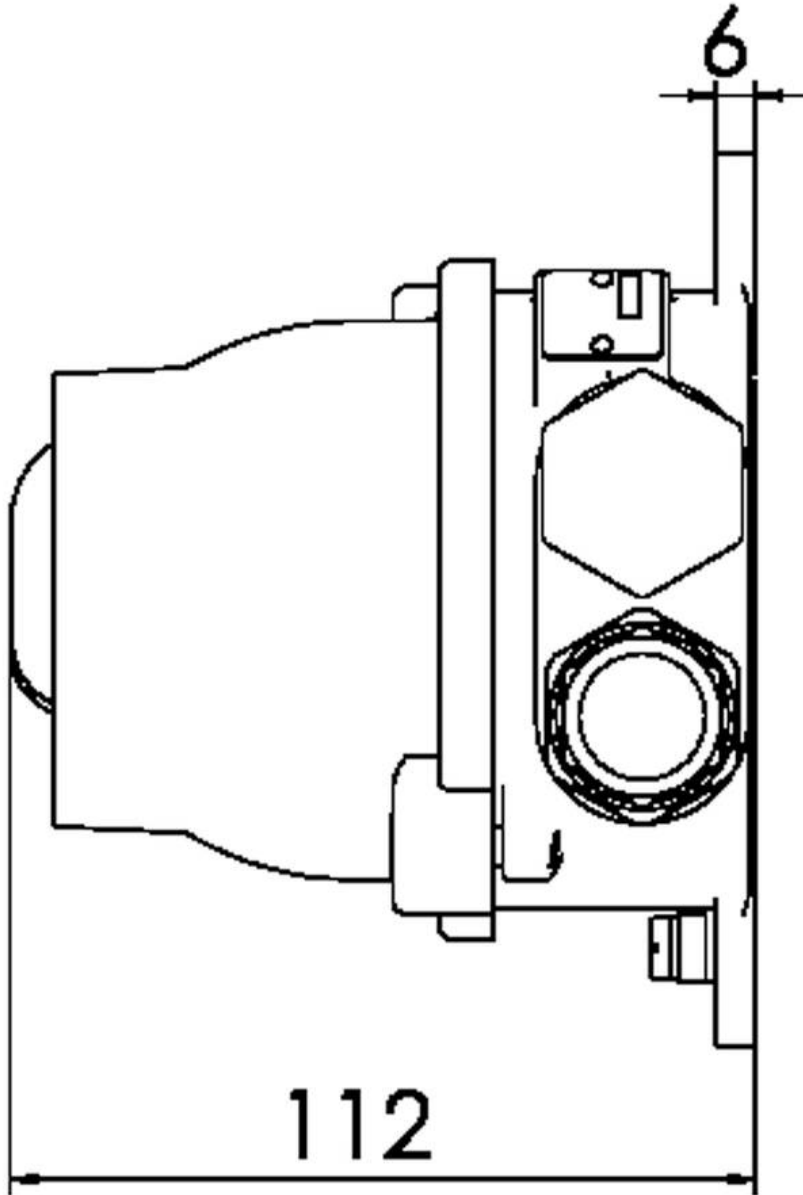


Your Contact:

WISKA India Pvt. Ltd.

Mr. Omkar Ashar · Unit No.247/248,Raheja Tesla Industrial District II , Edison Bldg No.-1A,  
Plot No.GEN2/1/C/PART, TTC Industrial Area, MIDC, Juinagar, Navi Mumbai 400705, India

☎ +91-22-4967-1438 · ☎ +91-22-4967-1439 · o.ashar@wiska.in · www.wiska.in



Your Contact:

**WISKA India Pvt. Ltd.**

Mr. Omkar Ashar · Unit No.247/248,Raheja Tesla Industrial District II , Edison Bldg No.-1A,  
Plot No.GEN2/1/C/PART, TTC Industrial Area, MIDC, Juinagar, Navi Mumbai 400705, India

☎ +91-22-4967-1438 · ☎ +91-22-4967-1439 · o.ashar@wiska.in · www.wiska.in

Other technical data on request / subject to change without notice