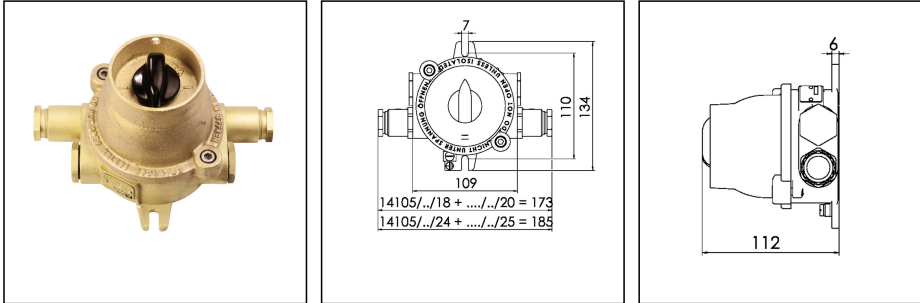


## Ex-14105/4/4x24-Z14

Ex On-off switch 2-pole 16A, brass, IP66



Products may differ in size, colour and appearance to those shown. If you require further information or customisation, please contact us directly.



|                              |   |
|------------------------------|---|
| <b>WISKA-Order no.</b>       | 10030507  |
| <b>Type</b>                  | Ex-14105/4/4x24-Z14   |
| <b>Material</b>              | Brass   |
| <b>Voltage</b>               | 690 V   |
| <b>Current</b>               | 16 A  |
| <b>Protection class</b>      | IP66  |
| <b>Type of switch</b>        | On-Off, 2-pole  |
| <b>Temp. range min</b>       | -40 °C  |
| <b>Temp. range max</b>       | 55 °C   |
| <b>Using for cable gland</b> |  |
| <b>Type of cable gland</b>   | M 24 x 1,5  |
| <b>Material cable gland</b>  | Brass   |
| <b>Type of cable</b>         | armoured  |
| <b>Ø cable diameter min</b>  | 12 mm   |
| <b>Ø cable diameter max</b>  | 14,5 mm   |
| <b>Explosion Groups</b>      | IIC, IIC  |
| <b>Approval</b>              | TÜV 14 ATEX 7568 X, IECEx TUR 15.0017X  |
| <b>Marking</b>               | II 2G Ex de IIC T6...T5 Gb, II 2D Ex tb IIIC T80° Db                                  |
| <b>Zone</b>                  | 21, 1   |
| <b>Approval</b>              | DNV-GL, RMRS  |
| <b>Mounting</b>              | Surface mounting  |
| <b>Colour</b>                | Black   |
| <b>Weight</b>                | 2 kg  |
| <b>Variations</b>            | on request  |
| <b>M_00000190</b>            | 85363010  |

Your Contact:

WISKA India Pvt. Ltd.

Mr. Omkar Ashar · Unit No.247/248,Raheja Tesla Industrial District II , Edison Bldg No.-1A,  
Plot No.GEN2/1/C/PART, TTC Industrial Area, MIDC, Juinagar, Navi Mumbai 400705, India

+91-22-4967-1438 · +91-22-4967-1439 · o.ashar@wiska.in · www.wiska.in

**Spare parts**

|                                |          |
|--------------------------------|----------|
| <b>SP-Ex-E 4105</b>            | 22000411 |
| <b>SP-EX-14105 Switch knob</b> | 22000865 |

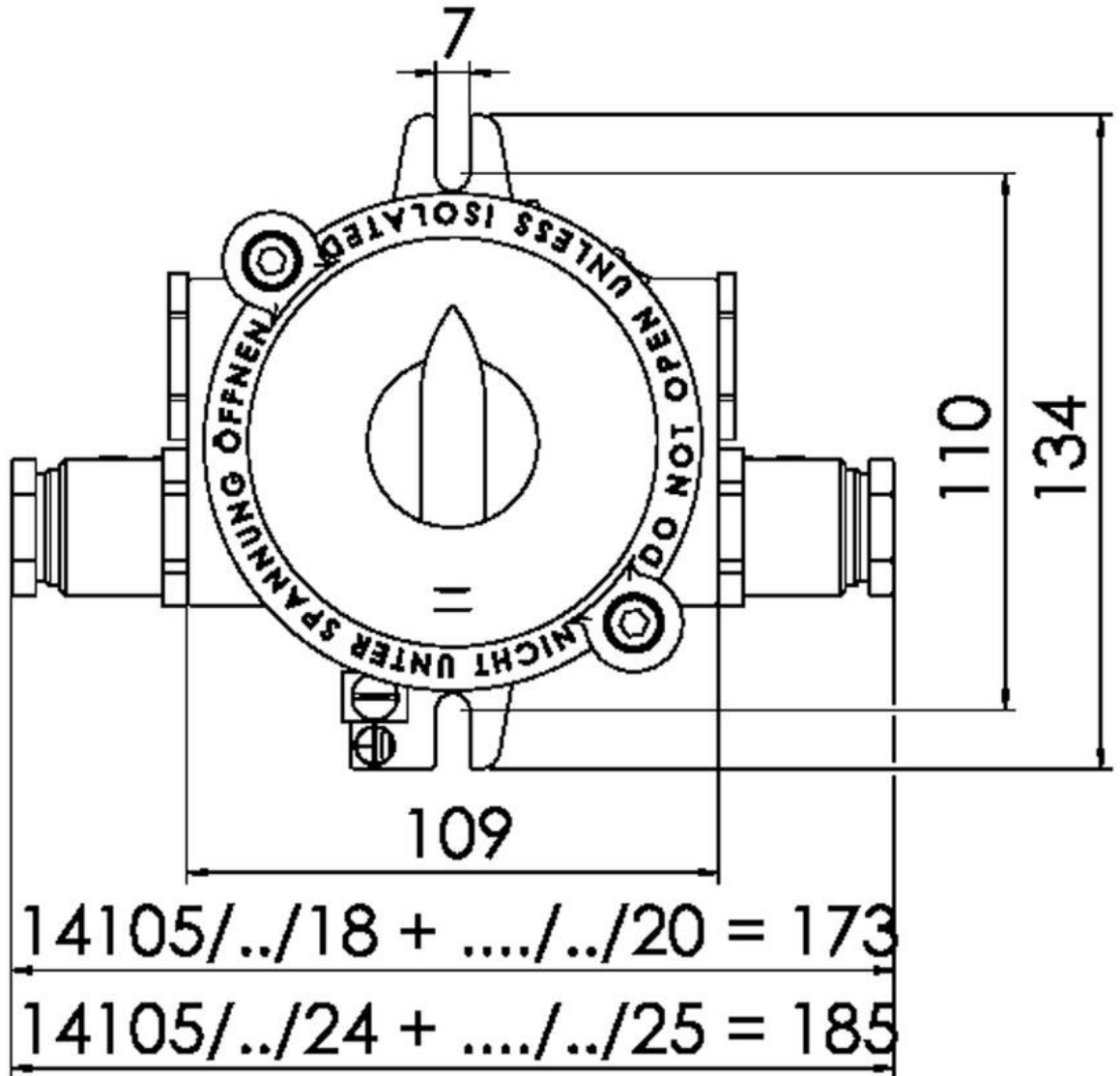
22.05.2026

Your Contact:

**WISKA India Pvt. Ltd.**

Mr. Omkar Ashar · Unit No.247/248,Raheja Tesla Industrial District II , Edison Bldg No.-1A,  
Plot No.GEN2/1/C/PART, TTC Industrial Area, MIDC, Juinagar, Navi Mumbai 400705, India

☎ +91-22-4967-1438 · ☎ +91-22-4967-1439 · o.ashar@wiska.in · www.wiska.in

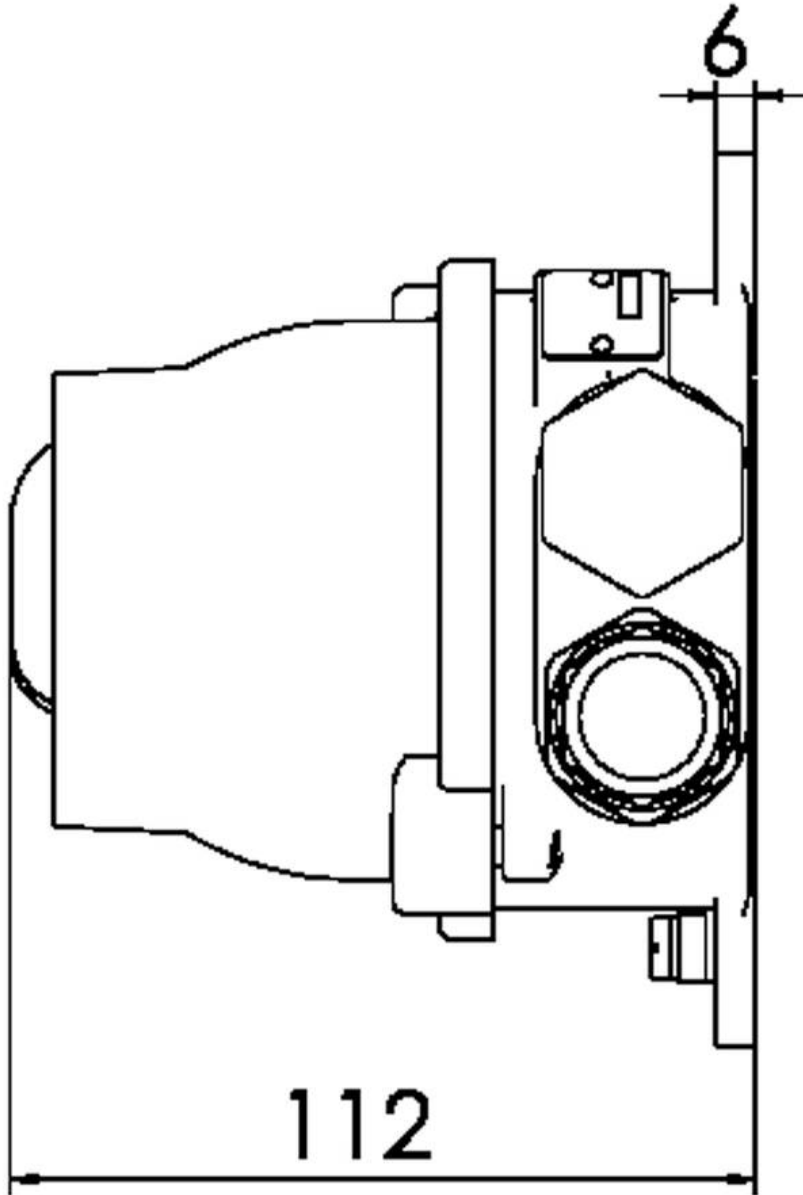


Your Contact:

WISKA India Pvt. Ltd.

Mr. Omkar Ashar · Unit No.247/248, Raheja Tesla Industrial District II, Edison Bldg No.-1A,  
Plot No.GEN2/1/C/PART, TTC Industrial Area, MIDC, Juinagar, Navi Mumbai 400705, India

☎ +91-22-4967-1438 · ☎ +91-22-4967-1439 · o.ashar@wiska.in · www.wiska.in



Your Contact:

**WISKA India Pvt. Ltd.**

Mr. Omkar Ashar · Unit No.247/248,Raheja Tesla Industrial District II , Edison Bldg No.-1A,  
Plot No.GEN2/1/C/PART, TTC Industrial Area, MIDC, Juinagar, Navi Mumbai 400705, India

☎ +91-22-4967-1438 · ☎ +91-22-4967-1439 · o.ashar@wiska.in · www.wiska.in

Other technical data on request / subject to change without notice