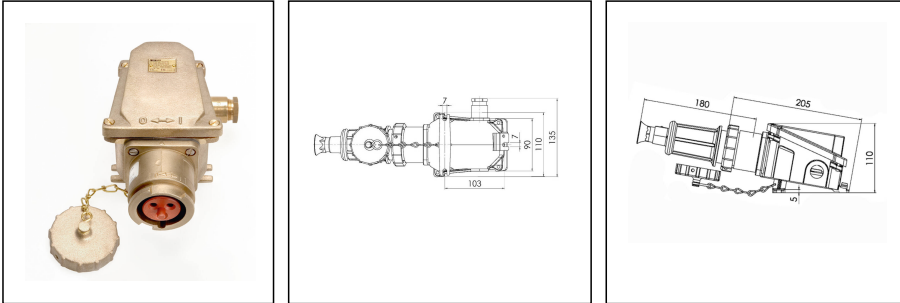



## Ex-5516/D/6h/2x24-Z14

Ex socket 16A 250V, brass, IP66



Products may differ in size, colour and appearance to those shown. If you require further information or customisation, please contact us directly.



<b>WISKA-Order no.</b>	10030762
<b>Type</b>	Ex-5516/D/6h/2x24-Z14
<b>Material</b>	Brass
<b>Voltage</b>	250 V
<b>Voltage max. (V)</b>	400 V
<b>Current</b>	16 A
<b>Protection class</b>	IP66
<b>Temp. range min</b>	-40 °C
<b>Temp. range max</b>	40 °C
<b>Socket insert</b>	2 - poles + PE
<b>Clock face position</b>	6h
<b>Type of cable gland</b>	M 24 x 1,5
<b>Material cable gland</b>	Brass
<b>Using for cable gland</b>	
<b>Type of cable</b>	armoured
<b>Ø cable diameter min</b>	12 mm
<b>Ø cable diameter max</b>	14,5 mm
<b>Mounting</b>	Surface mounting
<b>Approval</b>	IECEX TUR 15.0018X, TÜV 14 ATEX 7565X
<b>Marking</b>	II 2 D Ex tb IIIC T65°C Db, II 2 G Ex de IIC T6...T5 Gb
<b>Explosion Groups</b>	IIC, IIIC
<b>Zone</b>	1, 21
<b>Temp.-class</b>	T6
<b>Approval</b>	DNV-GL, RMRS
<b>Weight</b>	3,3 kg

Your Contact:

WISKA India Pvt. Ltd.

Mr. Omkar Ashar · Unit No.247/248,Raheja Tesla Industrial District II , Edison Bldg No.-1A,  
Plot No.GEN2/1/C/PART, TTC Industrial Area, MIDC, Juinagar, Navi Mumbai 400705, India

+91-22-4967-1438 · +91-22-4967-1439 · o.ashar@wiska.in · www.wiska.in

<b>Variations</b>	on request
<b>Tariff number</b>	85366990

Remarks:

- 6h - 2-pole + E, 220V-250V
- Security switching arrangement with locking device
- Flameproof enclosed interior
- Inside and outside earth connection
- Temperature range -40°C - +55°C = T5

**Spare parts**

<b>SP-55160-ATEX Ex Socket interior</b>	22000414
---	----------

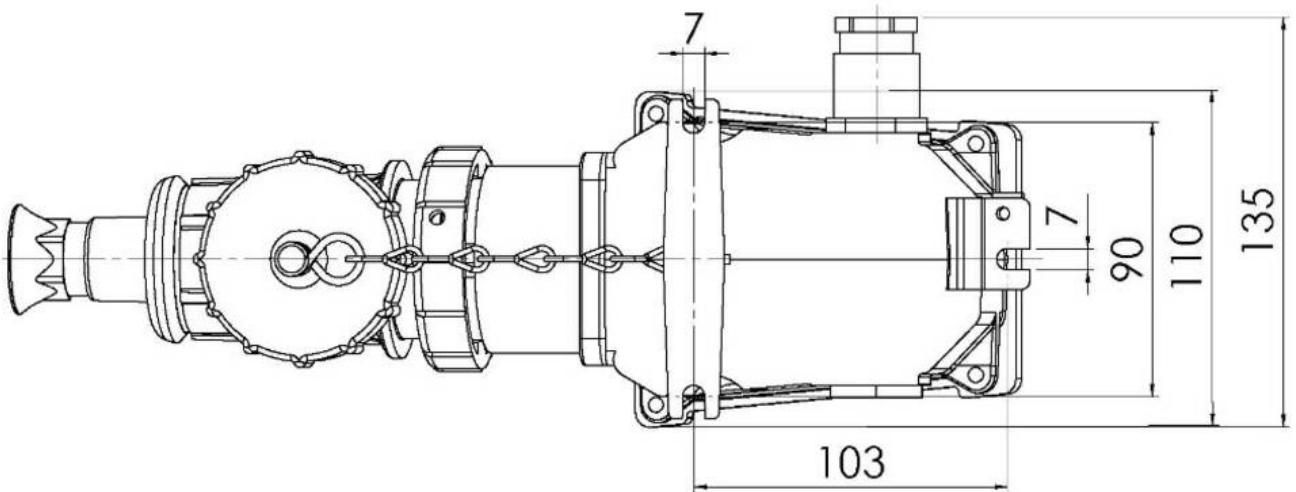
07.07.2026

Your Contact:

**WISKA India Pvt. Ltd.**

Mr. Omkar Ashar · Unit No.247/248,Raheja Tesla Industrial District II , Edison Bldg No.-1A,  
Plot No.GEN2/1/C/PART, TTC Industrial Area, MIDC, Juinagar, Navi Mumbai 400705, India

☎ +91-22-4967-1438 · ☎ +91-22-4967-1439 · o.ashar@wiska.in · www.wiska.in

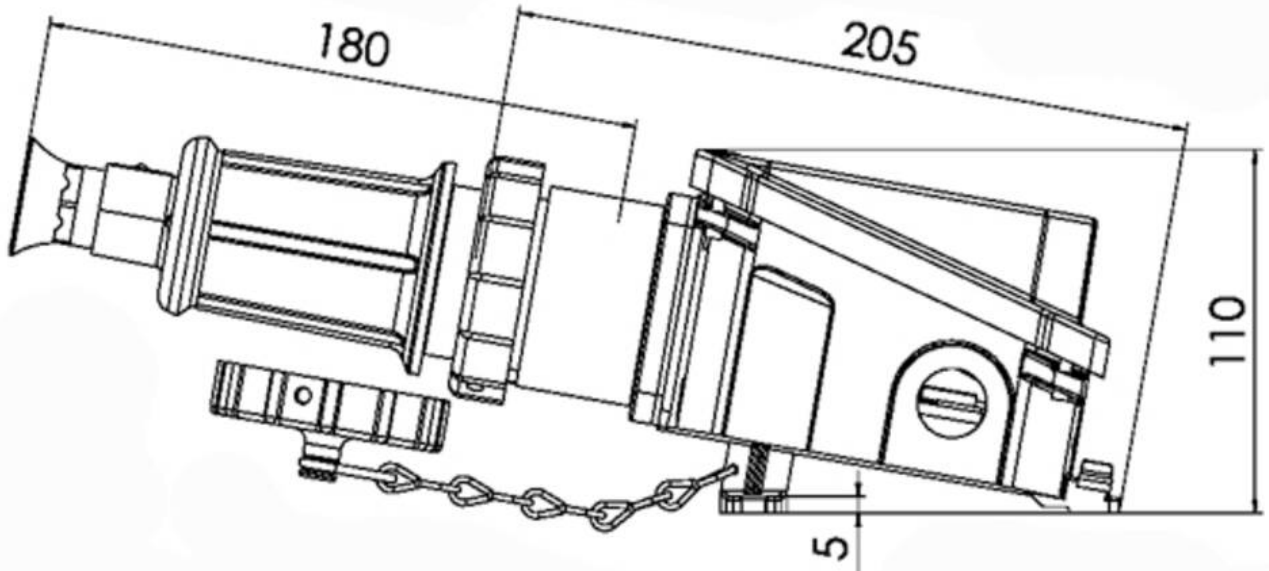


Your Contact:

**WISKA India Pvt. Ltd.**

Mr. Omkar Ashar · Unit No.247/248,Raheja Tesla Industrial District II , Edison Bldg No.-1A,  
Plot No.GEN2/1/C/PART, TTC Industrial Area, MIDC, Juinagar, Navi Mumbai 400705, India

☎ +91-22-4967-1438 · ☎ +91-22-4967-1439 · o.ashar@wiska.in · www.wiska.in



Your Contact:

**WISKA India Pvt. Ltd.**

Mr. Omkar Ashar · Unit No.247/248,Raheja Tesla Industrial District II , Edison Bldg No.-1A,  
Plot No.GEN2/1/C/PART, TTC Industrial Area, MIDC, Juinagar, Navi Mumbai 400705, India

☎ +91-22-4967-1438 · ☎ +91-22-4967-1439 · o.ashar@wiska.in · www.wiska.in