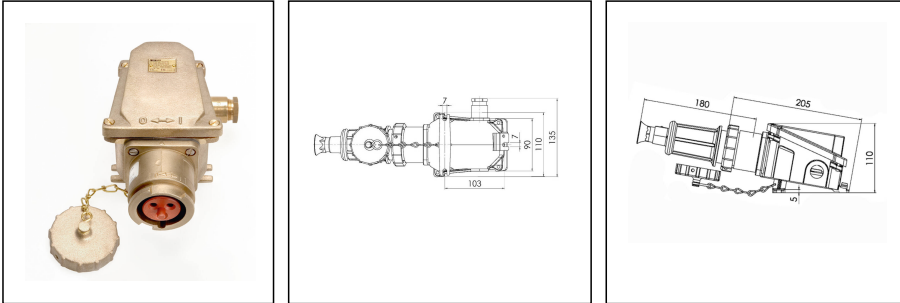


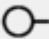
Ex-5516/R/4h/1x24-Z14

Ex socket 16A 130V, brass, IP66



Products may differ in size, colour and appearance to those shown. If you require further information or customisation, please contact us directly.



WISKA-Order no.	10030773
Type	Ex-5516/R/4h/1x24-Z14
Material	Brass
Voltage	130 V
Voltage max. (V)	400 V
Current	16 A
Protection class	IP66
Temp. range min	-40 °C
Temp. range max	40 °C
Socket insert	2 - poles + PE
Clock face position	4h
Type of cable gland	M 24 x 1,5
Material cable gland	Brass
Using for cable gland	
Type of cable	armoured
Ø cable diameter min	12 mm
Ø cable diameter max	14,5 mm
Mounting	Surface mounting
Approval	TÜV 14 ATEX 7565X, IECEx TUR 15.0018X
Marking	II 2 D Ex tb IIIC T65°C Db, II 2 G Ex de IIC T6...T5 Gb
Explosion Groups	IIIC, IIC
Zone	1, 21
Temp.-class	T6
Approval	DNV-GL, RMRS
Weight	3,4 kg

Your Contact:

WISKA India Pvt. Ltd.

Mr. Omkar Ashar · Unit No.247/248,Raheja Tesla Industrial District II , Edison Bldg No.-1A,
Plot No.GEN2/1/C/PART, TTC Industrial Area, MIDC, Juinagar, Navi Mumbai 400705, India

+91-22-4967-1438 · +91-22-4967-1439 · o.ashar@wiska.in · www.wiska.in

Variations

on request

Remarks:

- 4h - 2-pole + E, 110V-130V
- Security switching arrangement with locking device
- Flameproof enclosed interior
- Inside and outside earth connection
- Temperature range -40°C - +55°C = T5

Spare parts

SP-55160-ATEX Ex Socket interior

22000414

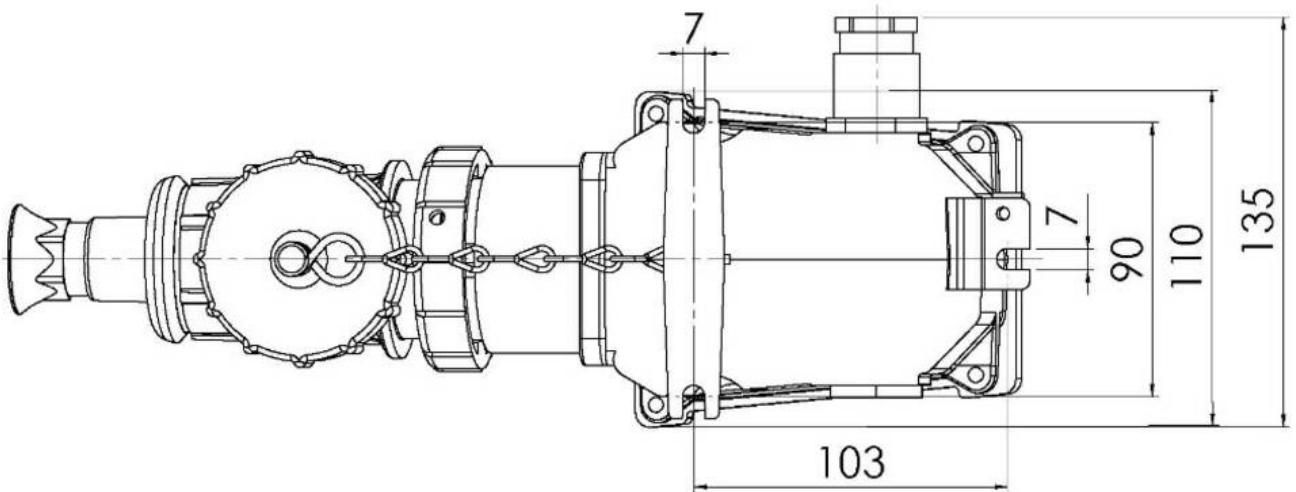
22.05.2026

Your Contact:

WISKA India Pvt. Ltd.

Mr. Omkar Ashar · Unit No.247/248, Raheja Tesla Industrial District II , Edison Bldg No.-1A,
Plot No.GEN2/1/C/PART, TTC Industrial Area, MIDC, Juinagar, Navi Mumbai 400705, India

☎ +91-22-4967-1438 · ☎ +91-22-4967-1439 · o.ashar@wiska.in · www.wiska.in



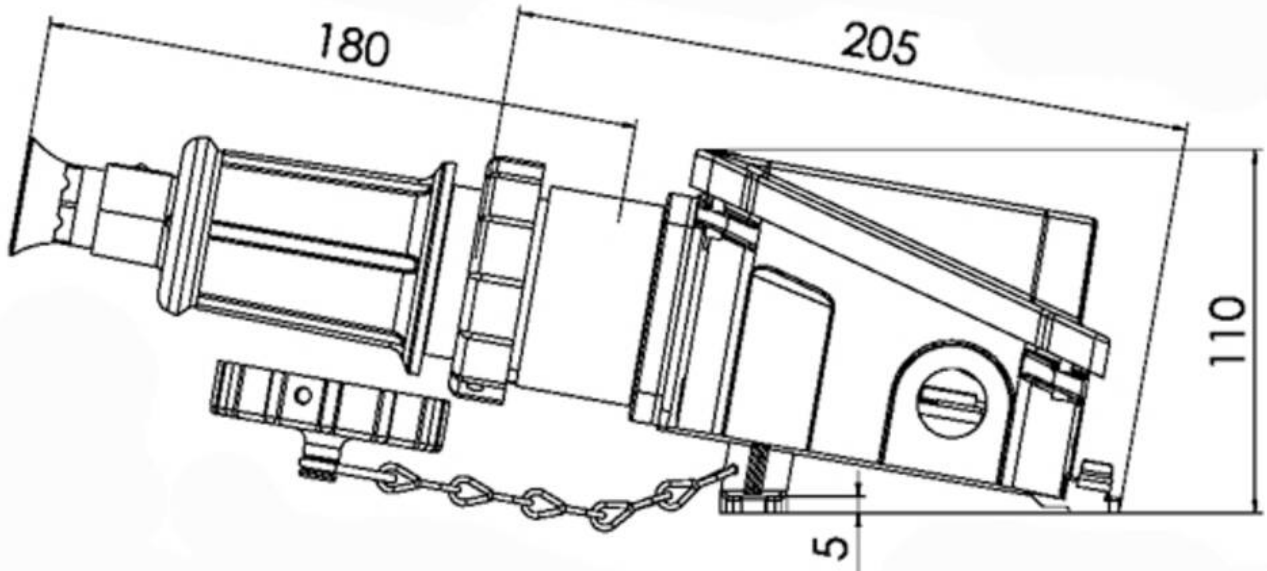
Your Contact:

WISKA India Pvt. Ltd.

Mr. Omkar Ashar · Unit No.247/248,Raheja Tesla Industrial District II , Edison Bldg No.-1A,
Plot No.GEN2/1/C/PART, TTC Industrial Area, MIDC, Juinagar, Navi Mumbai 400705, India

☎ +91-22-4967-1438 · ☎ +91-22-4967-1439 · o.ashar@wiska.in · www.wiska.in

Other technical data on request / subject to change without notice



Your Contact:

WISKA India Pvt. Ltd.

Mr. Omkar Ashar · Unit No.247/248,Raheja Tesla Industrial District II , Edison Bldg No.-1A,
Plot No.GEN2/1/C/PART, TTC Industrial Area, MIDC, Juinagar, Navi Mumbai 400705, India

☎ +91-22-4967-1438 · ☎ +91-22-4967-1439 · o.ashar@wiska.in · www.wiska.in