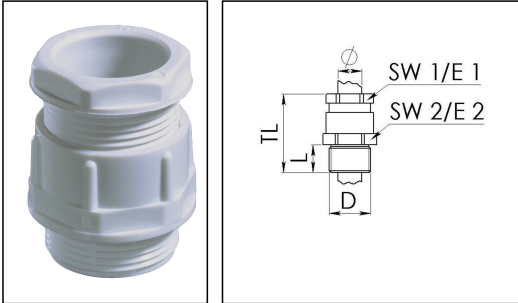


KVG 9 LG

Cone cable gland, polyamide, Pg 9, RAL 7035



Products may differ in size, colour and appearance to those shown. If you require further information or customisation, please contact us directly.



Material cable gland	Polyamide, fibre reinforced
Protection class	IP54
Temp. range min	-20 °C
Temp. range max	80 °C
Thread type	PG
Ø Connection thread D	9
Length screw-in thread L	8 mm
Ø cable diameter min	4,5 mm
Ø cable diameter max	7 mm
Key width SW1	16 mm
Key width SW2	19 mm
Collar diameter E1	17 mm
Collar diameter E2	21 mm
Total length TL	30 mm
Product Color	RAL 7035
Type	KVG 9 LG
Order no. RAL 7035	10060142
Packing unit	50
EAN number	4007685601429
Tariff number	39269097
ETIM-Classification	EC000441

Recommended accessories

Your Contact:

WISKA India Pvt. Ltd.

Mr. Omkar Ashar · Unit No.247/248,Raheja Tesla Industrial District II , Edison Bldg No.-1A,
Plot No.GEN2/1/C/PART, TTC Industrial Area, MIDC, Juinagar, Navi Mumbai 400705, India

☎ +91-22-4967-1438 · ☎ +91-22-4967-1439 · o.ashar@wiska.in · www.wiska.in



MUG 9 LG	10060671
ADR 9	10061420

27.06.2026

Your Contact:

WISKA India Pvt. Ltd.

Mr. Omkar Ashar · Unit No.247/248,Raheja Tesla Industrial District II , Edison Bldg No.-1A,
Plot No.GEN2/1/C/PART, TTC Industrial Area, MIDC, Juinagar, Navi Mumbai 400705, India

 +91-22-4967-1438 ·  +91-22-4967-1439 · o.ashar@wiska.in · www.wiska.in



Your Contact:

WISKA India Pvt. Ltd.

Mr. Omkar Ashar · Unit No.247/248,Raheja Tesla Industrial District II , Edison Bldg No.-1A,
Plot No.GEN2/1/C/PART, TTC Industrial Area, MIDC, Juinagar, Navi Mumbai 400705, India

☎ +91-22-4967-1438 · ☎ +91-22-4967-1439 · o.ashar@wiska.in · www.wiska.in

Other technical data on request / subject to change without notice