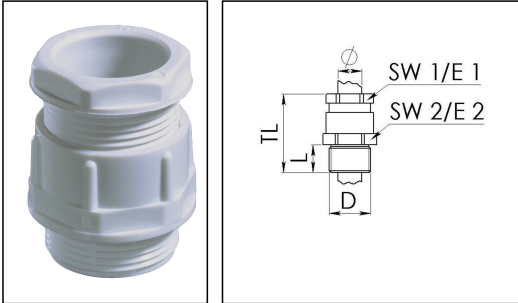


KVG 16 LG

Cone cable gland, polyamide, Pg 16, RAL 7035



Products may differ in size, colour and appearance to those shown. If you require further information or customisation, please contact us directly.



Material cable gland	Polyamide, fibre reinforced
Protection class	IP54
Temp. range min	-20 °C
Temp. range max	80 °C
Thread type	PG
Ø Connection thread D	16
Length screw-in thread L	10 mm
Ø cable diameter min	11 mm
Ø cable diameter max	14 mm
Key width SW1	23 mm
Key width SW2	27 mm
Collar diameter E1	26 mm
Collar diameter E2	30 mm
Total length TL	38 mm
Product Color	RAL 7035
Type	KVG 16 LG
Order no. RAL 7035	10060145
Packing unit	50
EAN number	4007685601450
Tariff number	39269097
ETIM-Classification	EC000441

Recommended accessories

Your Contact:

WISKA India Pvt. Ltd.

Mr. Omkar Ashar · Unit No.247/248,Raheja Tesla Industrial District II , Edison Bldg No.-1A,
Plot No.GEN2/1/C/PART, TTC Industrial Area, MIDC, Juinagar, Navi Mumbai 400705, India

☎ +91-22-4967-1438 · ☎ +91-22-4967-1439 · o.ashar@wiska.in · www.wiska.in

MUG 16 LG	10060674
ADR 16	10061423

27.06.2026

Your Contact:

WISKA India Pvt. Ltd.

Mr. Omkar Ashar · Unit No.247/248,Raheja Tesla Industrial District II , Edison Bldg No.-1A,
Plot No.GEN2/1/C/PART, TTC Industrial Area, MIDC, Juinagar, Navi Mumbai 400705, India

☎ +91-22-4967-1438 · ☎ +91-22-4967-1439 · o.ashar@wiska.in · www.wiska.in



Your Contact:

WISKA India Pvt. Ltd.

Mr. Omkar Ashar · Unit No.247/248,Raheja Tesla Industrial District II , Edison Bldg No.-1A,
Plot No.GEN2/1/C/PART, TTC Industrial Area, MIDC, Juinagar, Navi Mumbai 400705, India

☎ +91-22-4967-1438 · ☎ +91-22-4967-1439 · o.ashar@wiska.in · www.wiska.in