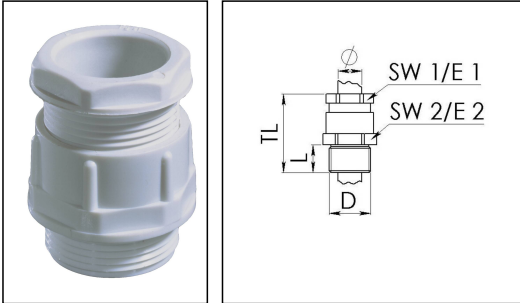


KVG 48 LG

Cone cable gland, polyamide, Pg 48, RAL 7035



Products may differ in size, colour and appearance to those shown. If you require further information or customisation, please contact us directly.



| | |
|---------------------------------|-----------------------------|
| Material cable gland | Polyamide, fibre reinforced |
| Protection class | IP54 |
| Temp. range min | -20 °C |
| Temp. range max | 80 °C |
| Thread type | PG |
| Ø Connection thread D | 48 |
| Length screw-in thread L | 15 mm |
| Ø cable diameter min | 38 mm |
| Ø cable diameter max | 44 mm |
| Key width SW1 | 60 mm |
| Key width SW2 | 65 mm |
| Collar diameter E1 | 65 mm |
| Collar diameter E2 | 69 mm |
| Total length TL | 60 mm |
| Product Color | RAL 7035 |
| Type | KVG 48 LG |
| Order no. RAL 7035 | 10060150 |
| Packing unit | 5 |
| EAN number | 4007685601504 |
| Tariff number | 39269097 |
| ETIM-Classification | EC000441 |

Recommended accessories

Your Contact:

WISKA India Pvt. Ltd.

Mr. Omkar Ashar · Unit No.247/248,Raheja Tesla Industrial District II , Edison Bldg No.-1A,
Plot No.GEN2/1/C/PART, TTC Industrial Area, MIDC, Juinagar, Navi Mumbai 400705, India

☎ +91-22-4967-1438 · ☎ +91-22-4967-1439 · o.ashar@wiska.in · www.wiska.in



| | |
|------------------|----------|
| MUG 48 LG | 10060679 |
| ADR 48 | 10061428 |

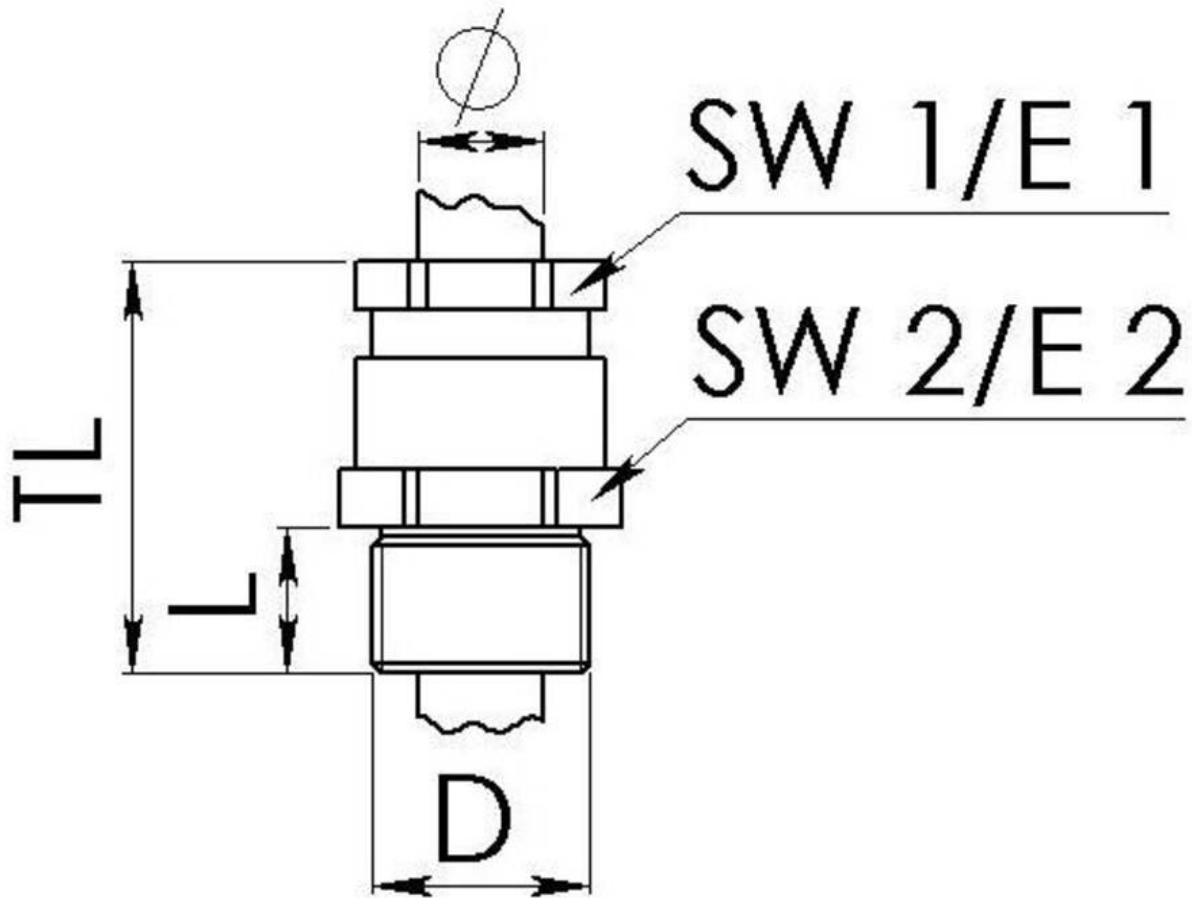
27.06.2026

Your Contact:

WISKA India Pvt. Ltd.

Mr. Omkar Ashar · Unit No.247/248,Raheja Tesla Industrial District II , Edison Bldg No.-1A,
Plot No.GEN2/1/C/PART, TTC Industrial Area, MIDC, Juinagar, Navi Mumbai 400705, India

 +91-22-4967-1438 ·  +91-22-4967-1439 · o.ashar@wiska.in · www.wiska.in



Your Contact:

WISKA India Pvt. Ltd.

Mr. Omkar Ashar · Unit No.247/248,Raheja Tesla Industrial District II , Edison Bldg No.-1A,
Plot No.GEN2/1/C/PART, TTC Industrial Area, MIDC, Juinagar, Navi Mumbai 400705, India

☎ +91-22-4967-1438 · ☎ +91-22-4967-1439 · o.ashar@wiska.in · www.wiska.in

Other technical data on request / subject to change without notice