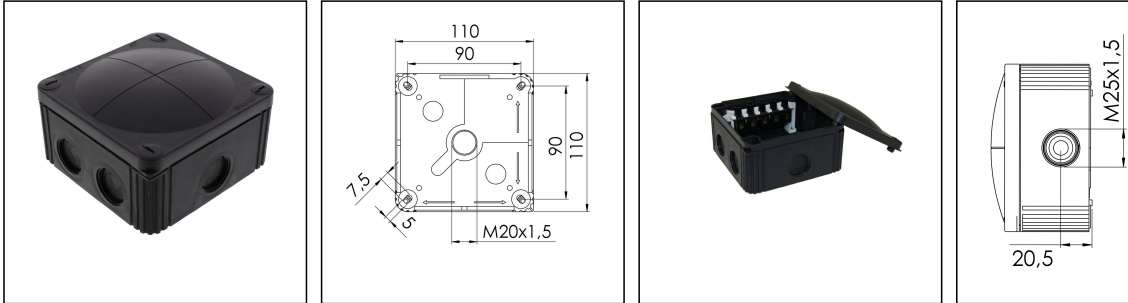



COMBI 607/5 BK

Junction box 110x110x66mm, polypropylene, RAL 9005, with terminal block



Products may differ in size, colour and appearance to those shown. If you require further information or customisation, please contact us directly.



| | |
|-------------------------------------|---|
| Material | Polypropylene |
| Material sealing gasket | TPE |
| Temp. range min | -30 °C |
| Temp. range max | 100 °C |
| Temperatures during install. | -5 °C - 60 °C |
| Protection class | IP66 / IP67 |
| Glow wire test | 750 °C |
| Voltage | 690 V |
| Rated current / A (Terminal) | 41 A |
| Rated cross section | 6 mm ² |
| Terminals/poles | 5-pole, 6,0 mm ² |
| Fixing | 4 internal openings |
| Ø cable diameter min | 5,2 mm |
| Ø cable diameter max | 17 mm |
| External dimensions LxWxH | 110 x 110 x 66mm |
| Using for cable gland |  |
| Product Color | RAL 9005 |
| WISKA-Order no. | 10060538 |
| Type | COMBI 607/5 BK |
| Packing unit | 3 |
| ETIM-Classification | EC002600 |
| EAN number | 4007685605380 |
| Tariff number | 85369010 |

Remarks:

Your Contact:

WISKA India Pvt. Ltd.

Mr. Omkar Ashar · Unit No.247/248,Raheja Tesla Industrial District II , Edison Bldg No.-1A,
Plot No.GEN2/1/C/PART, TTC Industrial Area, MIDC, Juinagar, Navi Mumbai 400705, India

☎ +91-22-4967-1438 · ☎ +91-22-4967-1439 · o.ashar@wiska.in · www.wiska.in

IP66: using the membrane entry

IP67: using the threaded entry together with ESKV cable gland

Equipment:

- 7 M25 threaded membrane entries
- 3 membrane cable entries through rear
- 4 captive cover screws
- inclusive terminal block 5-pole, 6mm²

Mounting:

- 4 internal openings outside of the sealing area

Recommended accessories

| | |
|--|----------|
| MP-L Mounting plate large COMBI / WHK | 10105775 |
| External mounting - COMBI LG | 10108836 |

Spare parts

| | |
|----------------------------------|----------|
| SP-HKT 607 Terminal block | 22000407 |
|----------------------------------|----------|

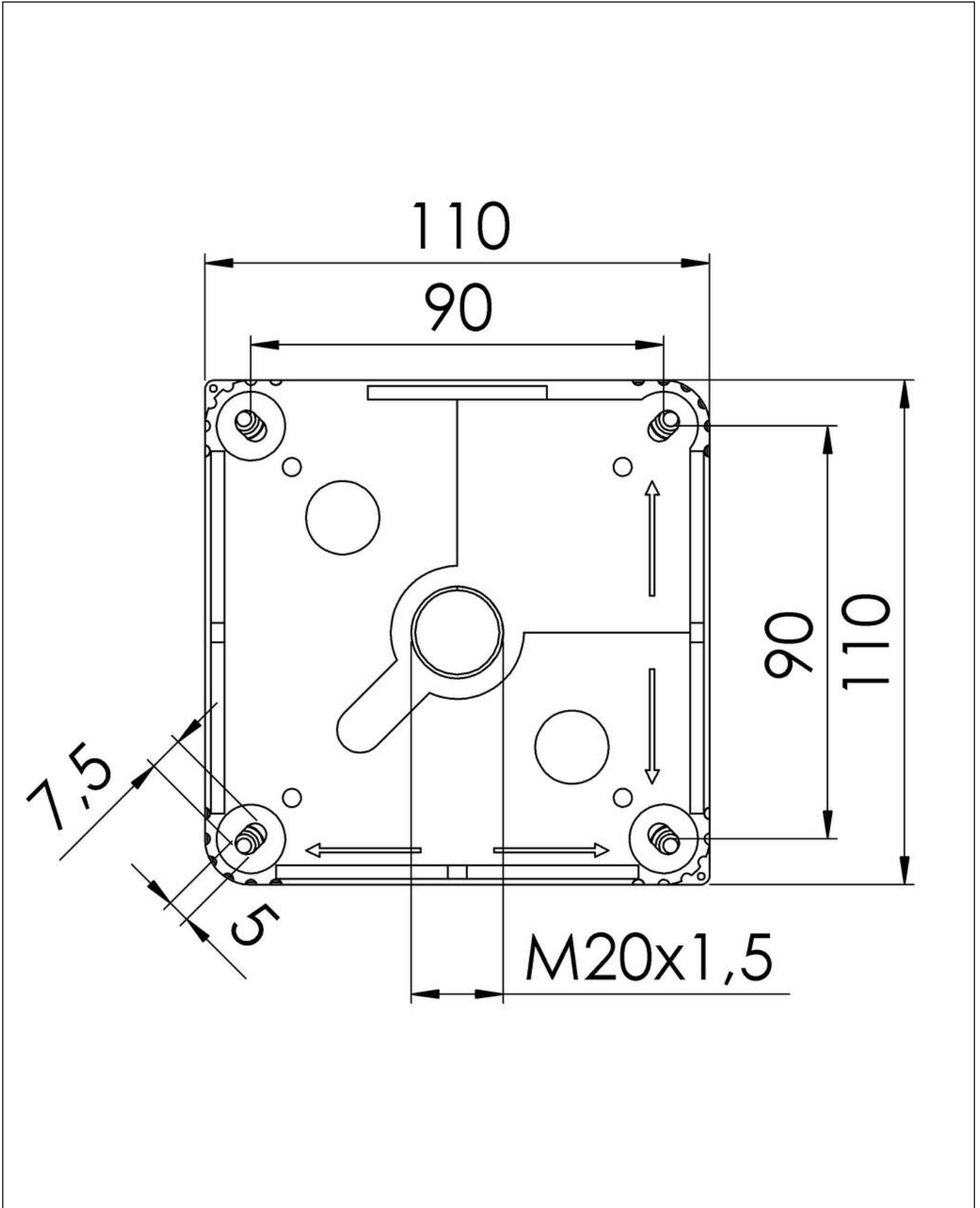
23.05.2026

Your Contact:

WISKA India Pvt. Ltd.

Mr. Omkar Ashar · Unit No.247/248,Raheja Tesla Industrial District II , Edison Bldg No.-1A,
Plot No.GEN2/1/C/PART, TTC Industrial Area, MIDC, Juinagar, Navi Mumbai 400705, India

☎ +91-22-4967-1438 · ☎ +91-22-4967-1439 · o.ashar@wiska.in · www.wiska.in



Your Contact:

WISKA India Pvt. Ltd.

Mr. Omkar Ashar · Unit No.247/248,Raheja Tesla Industrial District II , Edison Bldg No.-1A,
Plot No.GEN2/1/C/PART, TTC Industrial Area, MIDC, Juinagar, Navi Mumbai 400705, India

☎ +91-22-4967-1438 · ☎ +91-22-4967-1439 · o.ashar@wiska.in · www.wiska.in



Your Contact:

WISKA India Pvt. Ltd.

Mr. Omkar Ashar · Unit No.247/248,Raheja Tesla Industrial District II , Edison Bldg No.-1A,
Plot No.GEN2/1/C/PART, TTC Industrial Area, MIDC, Juinagar, Navi Mumbai 400705, India

☎ +91-22-4967-1438 · ☎ +91-22-4967-1439 · o.ashar@wiska.in · www.wiska.in