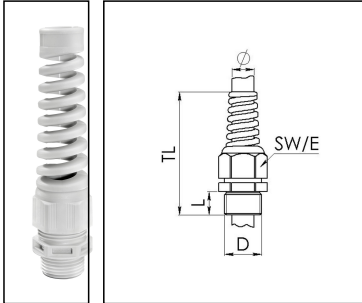


SKVS 13,5 LG

Cable gland with bend protection, polyamide, Pg 13,5 RAL 7035



Products may differ in size, colour and appearance to those shown. If you require further information or customisation, please contact us directly.



Material cable gland	Polyamide
Material sealing gasket	EPDM
Protection class	IP69, IP68 (5 bar 30 min)
Temp. range min	-20 °C
Temp. range max	80 °C
Glow wire test	750 °C
Thread type	PG
Ø Connection thread D	13,5
Length screw-in thread L	9 mm
Ø cable diameter min	6 mm
Ø cable diameter max	12 mm
Key width SW	24 mm
Collar diameter (E)	27 mm
Total length TL	105 mm
Type of cable anchorage	A
Product Color	RAL 7035
Type	SKVS 13,5 LG
Order no. RAL 7035	10060618
Packing unit	25
EAN number	4007685606189
Tariff number	39269097
ETIM-Classification	EC000441

Your Contact:

WISKA India Pvt. Ltd.

Mr. Omkar Ashar · Unit No.247/248,Raheja Tesla Industrial District II , Edison Bldg No.-1A,
Plot No.GEN2/1/C/PART, TTC Industrial Area, MIDC, Juinagar, Navi Mumbai 400705, India

+91-22-4967-1438 · +91-22-4967-1439 · o.ashar@wiska.in · www.wiska.in

Recommended accessories

MFD 25/02/060	10060452
MUG 13,5 LG	10060673
RDE 25	10060768
MFD 25/02/080	10060952
MFD 25/01/065	10060954
ADR 13,5	10061422
MFD 25/02/070	10063995
MFD 25/03/070	10064342
MFD 25/04/060	10064343
MFD 25/01/090	10101016
MFD 25/01/105-01/055	10101255
MFD 25/05/056	10102023

27.06.2026

Your Contact:

WISKA India Pvt. Ltd.

Mr. Omkar Ashar · Unit No.247/248,Raheja Tesla Industrial District II , Edison Bldg No.-1A,
Plot No.GEN2/1/C/PART, TTC Industrial Area, MIDC, Juinagar, Navi Mumbai 400705, India

☎ +91-22-4967-1438 · ☎ +91-22-4967-1439 · o.ashar@wiska.in · www.wiska.in



Your Contact:

WISKA India Pvt. Ltd.

Mr. Omkar Ashar · Unit No.247/248,Raheja Tesla Industrial District II , Edison Bldg No.-1A,
Plot No.GEN2/1/C/PART, TTC Industrial Area, MIDC, Juinagar, Navi Mumbai 400705, India

☎ +91-22-4967-1438 · ☎ +91-22-4967-1439 · o.ashar@wiska.in · www.wiska.in