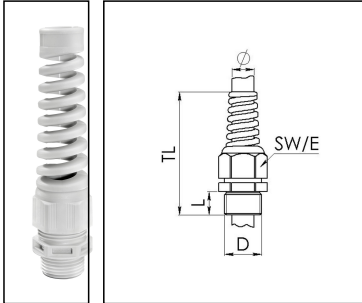


## SKVS 16 LG

Cable gland with bend protection, polyamide, Pg 16, RAL 7035



Products may differ in size, colour and appearance to those shown. If you require further information or customisation, please contact us directly.



<b>Material cable gland</b>	Polyamide
<b>Material sealing gasket</b>	EPDM
<b>Protection class</b>	IP69, IP68 (5 bar 30 min)
<b>Temp. range min</b>	-20 °C
<b>Temp. range max</b>	80 °C
<b>Glow wire test</b>	750 °C
<b>Thread type</b>	PG
<b>Ø Connection thread D</b>	16
<b>Length screw-in thread L</b>	10 mm
<b>Ø cable diameter min</b>	10 mm
<b>Ø cable diameter max</b>	14 mm
<b>Key width SW</b>	27 mm
<b>Collar diameter (E)</b>	29 mm
<b>Total length TL</b>	119 mm
<b>Type of cable anchorage</b>	A
<b>Product Color</b>	RAL 7035
<b>Type</b>	SKVS 16 LG
<b>Order no. RAL 7035</b>	10060619
<b>Packing unit</b>	25
<b>EAN number</b>	4007685606196
<b>Tariff number</b>	39269097
<b>ETIM-Classification</b>	EC000441

Your Contact:

WISKA India Pvt. Ltd.

Mr. Omkar Ashar · Unit No.247/248, Raheja Tesla Industrial District II , Edison Bldg No.-1A,  
Plot No.GEN2/1/C/PART, TTC Industrial Area, MIDC, Juinagar, Navi Mumbai 400705, India

+91-22-4967-1438 · +91-22-4967-1439 · o.ashar@wiska.in · www.wiska.in

## Recommended accessories

<b>MUG 16 LG</b>	10060674
<b>ADR 16</b>	10061423
<b>RDE 32</b>	10062186
<b>MFD 32/04/070</b>	10064344
<b>MFD 32/06/060</b>	10064345
<b>MFD 32/04/080</b>	10064950
<b>MFD 32/03/080</b>	10101018
<b>MFD 32/05/070</b>	10101140
<b>MFD 32/01/115-01/085</b>	10101256
<b>MFD 32/03/065</b>	10102169
<b>MFD 32/03/090</b>	10102170

27.06.2026

Your Contact:

**WISKA India Pvt. Ltd.**

Mr. Omkar Ashar · Unit No.247/248,Raheja Tesla Industrial District II , Edison Bldg No.-1A,  
Plot No.GEN2/1/C/PART, TTC Industrial Area, MIDC, Juinagar, Navi Mumbai 400705, India

☎ +91-22-4967-1438 · ☎ +91-22-4967-1439 · o.ashar@wiska.in · www.wiska.in



Your Contact:

**WISKA India Pvt. Ltd.**

Mr. Omkar Ashar · Unit No.247/248,Raheja Tesla Industrial District II , Edison Bldg No.-1A,  
Plot No.GEN2/1/C/PART, TTC Industrial Area, MIDC, Juinagar, Navi Mumbai 400705, India

☎ +91-22-4967-1438 · ☎ +91-22-4967-1439 · o.ashar@wiska.in · www.wiska.in