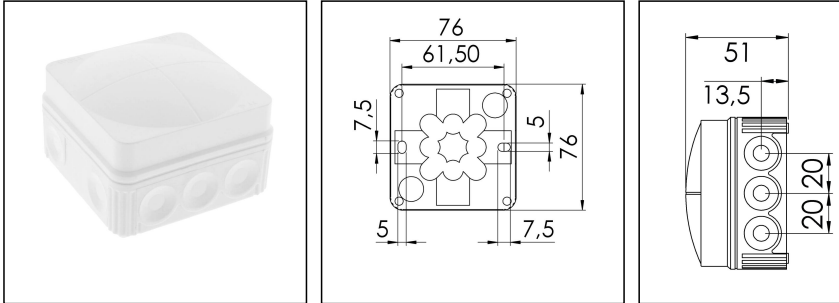


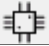
COMBI 108 WH

Junction box 76x76x51mm, polypropylene, RAL 9001



Products may differ in size, colour and appearance to those shown. If you require further information or customisation, please contact us directly.



| | |
|-------------------------------------|---------------------------------------------------------------------------------------|
| Material | Polypropylene |
| Material sealing gasket | TPE |
| Temp. range min | -30 °C |
| Temp. range max | 100 °C |
| Temperatures during install. | -5 °C - 60 °C |
| Protection class | IP66 |
| Glow wire test | 750 °C |
| Voltage | 400 V |
| Rated cross section | 2,5 mm ² |
| Fixing | 2 internal openings |
| Ø cable diameter min | 3 mm |
| Ø cable diameter max | 14 mm |
| External dimensions LxWxH | 76 x 76 x 51mm |
| Using for cable gland |  |
| Product Color | RAL 9001 |
| WISKA-Order no. | 10060622 |
| Type | COMBI 108 WH |
| Packing unit | 10 |
| ETIM-Classification | EC002600 |
| EAN number | 4007685606226 |
| Tariff number | 39269097 |

Remarks:

Equipment:

- 10 elastic self-sealing puncture-membranes for cable entry on the side and 2 in the bottom

Your Contact:

WISKA India Pvt. Ltd.

Mr. Omkar Ashar · Unit No.247/248,Raheja Tesla Industrial District II , Edison Bldg No.-1A,
Plot No.GEN2/1/C/PART, TTC Industrial Area, MIDC, Juinagar, Navi Mumbai 400705, India

☎ +91-22-4967-1438 · ☎ +91-22-4967-1439 · o.ashar@wiska.in · www.wiska.in

Fixing:

By two internal openings outside of the sealing area

Recommended accessories

| | |
|----------------------------------------------|----------|
| DIN Rail Kit - COMBI 108/308/TS15 | 10060362 |
| MP-S Mounting plate small | 10105774 |
| MP-L Mounting plate large COMBI / WHK | 10105775 |
| ZER 4-12 LG | 10109800 |
| ZER 11-18 LG | 10110766 |
| SP-KT-W 221/CSM-3x221-413 | 22001114 |
| SP-KT-W 221/CSM | 22001115 |
| SP-HKT 11/5 Terminal block | 22001132 |

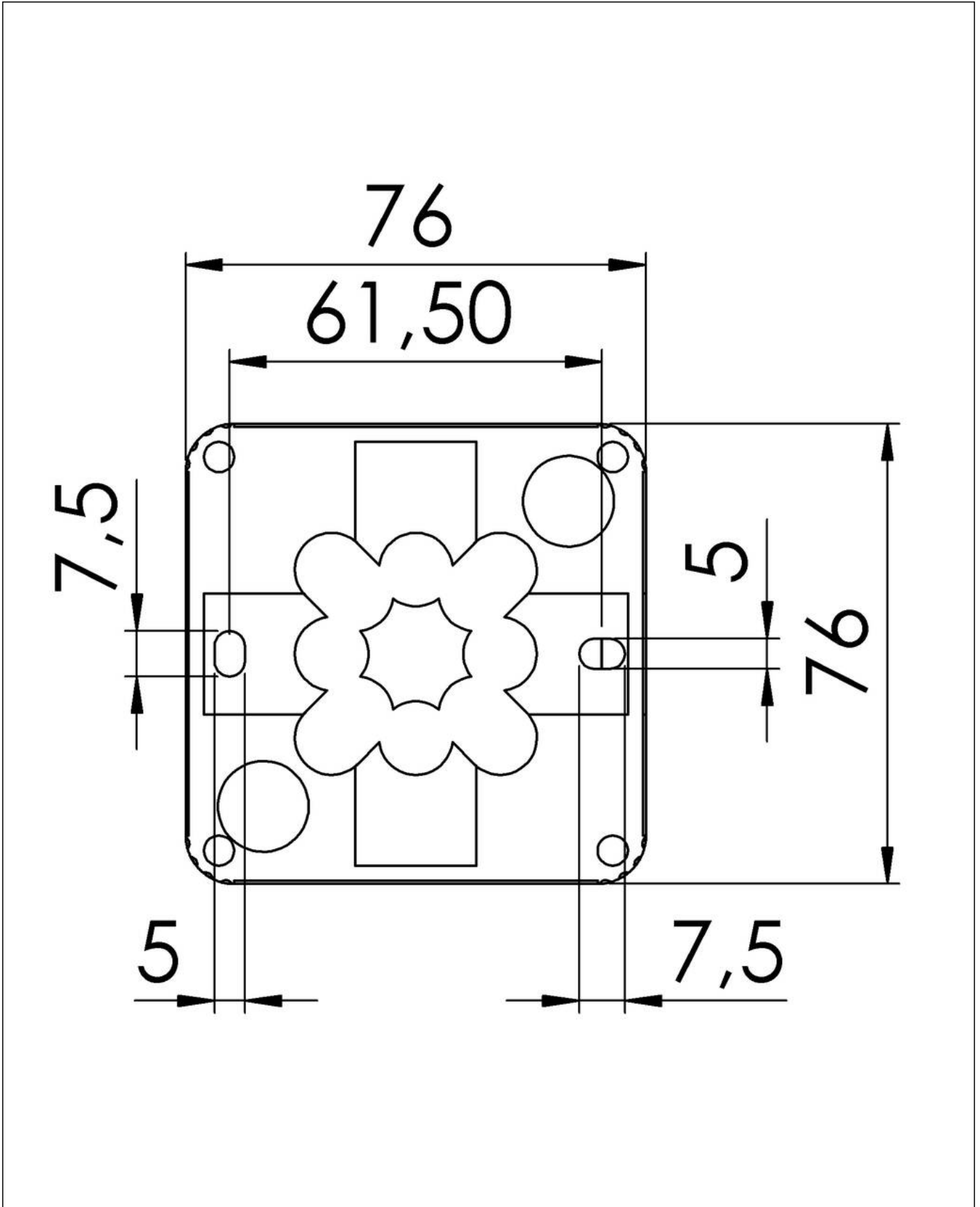
23.05.2026

Your Contact:

WISKA India Pvt. Ltd.

Mr. Omkar Ashar · Unit No.247/248,Raheja Tesla Industrial District II , Edison Bldg No.-1A,
Plot No.GEN2/1/C/PART, TTC Industrial Area, MIDC, Juinagar, Navi Mumbai 400705, India

☎ +91-22-4967-1438 · ☎ +91-22-4967-1439 · o.ashar@wiska.in · www.wiska.in

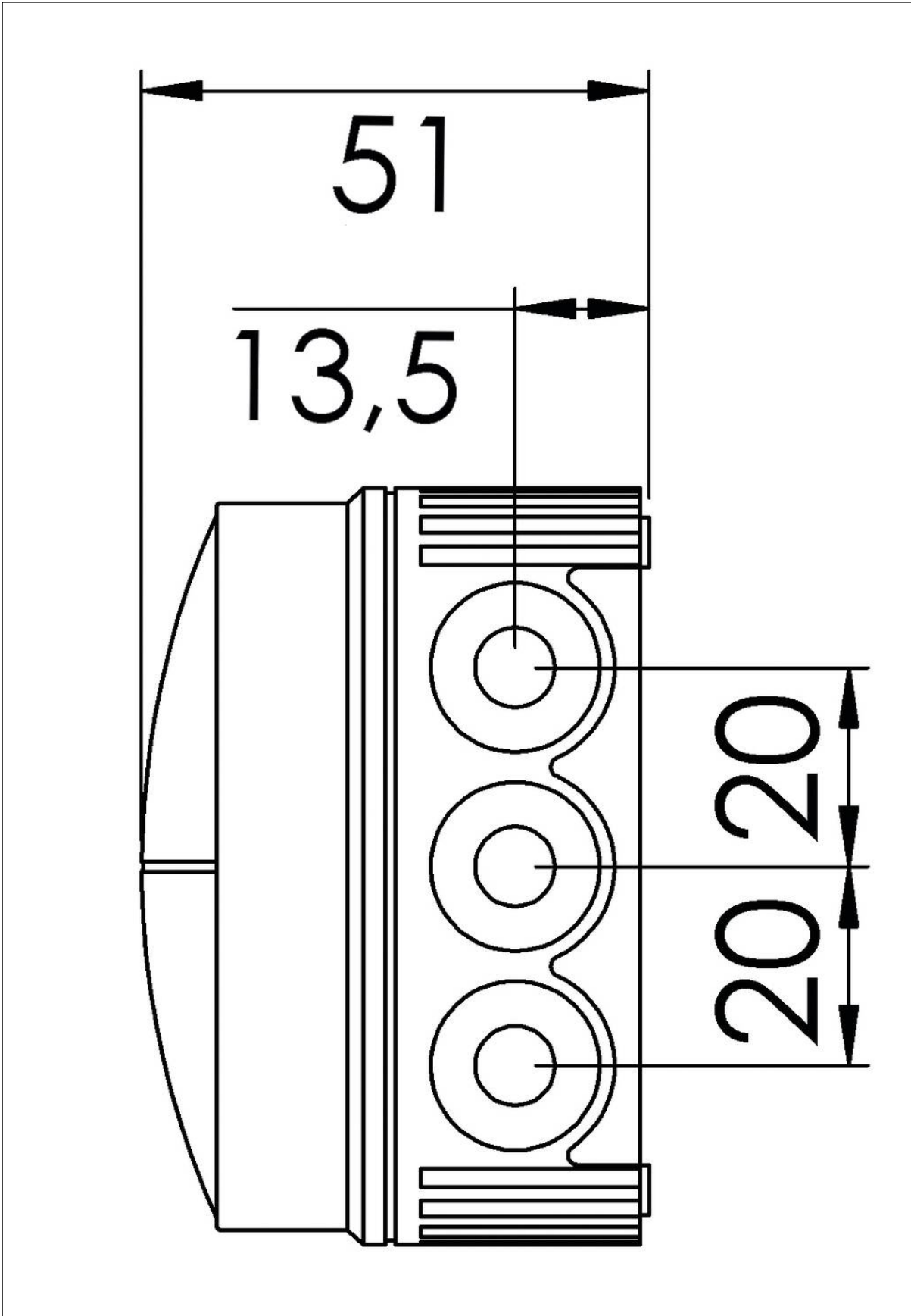


Your Contact:

WISKA India Pvt. Ltd.

Mr. Omkar Ashar · Unit No.247/248,Raheja Tesla Industrial District II , Edison Bldg No.-1A,
Plot No.GEN2/1/C/PART, TTC Industrial Area, MIDC, Juinagar, Navi Mumbai 400705, India

☎ +91-22-4967-1438 · ☎ +91-22-4967-1439 · o.ashar@wiska.in · www.wiska.in



Your Contact:

WISKA India Pvt. Ltd.

Mr. Omkar Ashar · Unit No.247/248,Raheja Tesla Industrial District II , Edison Bldg No.-1A,
Plot No.GEN2/1/C/PART, TTC Industrial Area, MIDC, Juinagar, Navi Mumbai 400705, India

☎ +91-22-4967-1438 · ☎ +91-22-4967-1439 · o.ashar@wiska.in · www.wiska.in