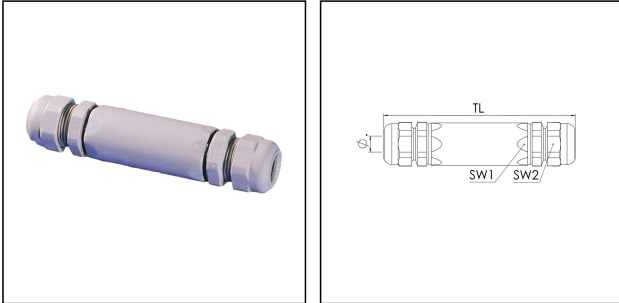


788/6/SKV 21 LG

Cable joint with cable glands, plastic, RAL 7035, IP68



Products may differ in size, colour and appearance to those shown. If you require further information or customisation, please contact us directly.



Material	Polystyrole, flame-retardant
Material cable gland	Polyamide
Temp. range min	-25 °C
Temp. range max	60 °C
Protection class	IP68 (5 bar 30 min)
Glow wire test	750 °C
Terminals/poles	5-pole, 6,0 mm ²
Ø cable diameter min	10 mm
Ø cable diameter max	18 mm
Key width SW1	32 mm
Key width SW2	33 mm
Product Color	RAL 7035
Total length TL	165 mm
Order no. RAL 7035	10061436
Type	788/6/SKV 21 LG
Packing unit	10
ETIM-Classification	EC001169
EAN number	4007685614368
Tariff number	85369010

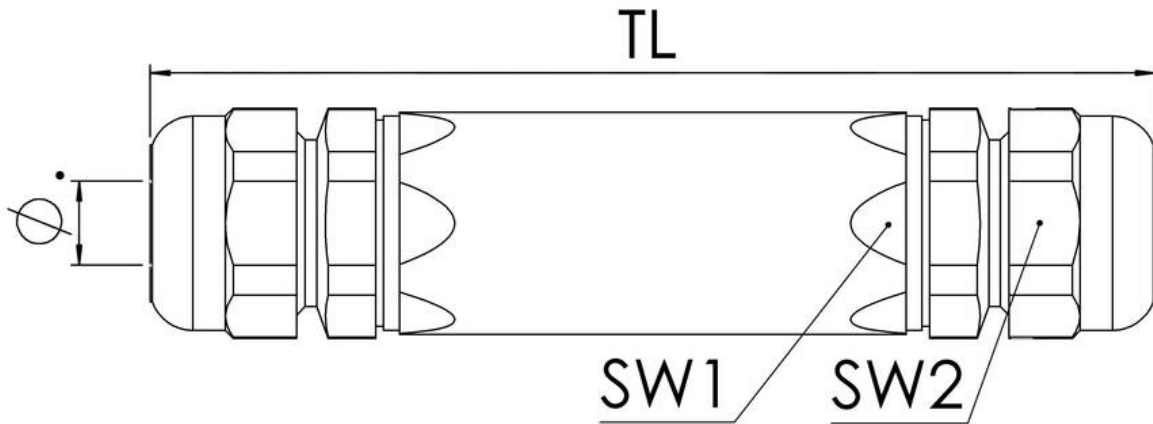
12.05.2026

Your Contact:

WISKA India Pvt. Ltd.

Mr. Omkar Ashar · Unit No.247/248,Raheja Tesla Industrial District II , Edison Bldg No.-1A,
Plot No.GEN2/1/C/PART, TTC Industrial Area, MIDC, Juinagar, Navi Mumbai 400705, India

☎ +91-22-4967-1438 · ☎ +91-22-4967-1439 · o.ashar@wiska.in · www.wiska.in



Your Contact:

WISKA India Pvt. Ltd.

Mr. Omkar Ashar · Unit No.247/248,Raheja Tesla Industrial District II , Edison Bldg No.-1A,
Plot No.GEN2/1/C/PART, TTC Industrial Area, MIDC, Juinagar, Navi Mumbai 400705, India

☎ +91-22-4967-1438 · ☎ +91-22-4967-1439 · o.ashar@wiska.in · www.wiska.in

Other technical data on request / subject to change without notice