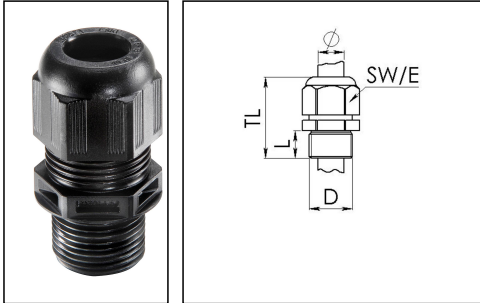


## ESKV-L 40 LT

Cable gland LowTemp, polyamide, M40, RAL 9005 with long thread



Product illustrations are exemplary and may differ from the chosen product. Further variants and individual customization, we will gladly provide you on request.



|                          |                                |
|--------------------------|--------------------------------|
| Material cable gland     | Polyamide                      |
| Material sealing gasket  | Silicone                       |
| Protection class         | IP69, IP68 (5 bar 30 min)      |
| Temp. range min          | -60 °C                         |
| Temp. range max          | 100 °C                         |
| Glow wire test           | 750 °C                         |
| Thread type              | M                              |
| Ø Connection thread D    | 40                             |
| Lead                     | 1,5                            |
| Length screw-in thread L | 18 mm                          |
| Ø cable diameter min     | 16 mm                          |
| Ø cable diameter max     | 28 mm                          |
| Key width SW             | 46 mm                          |
| Collar diameter (E)      | 51 mm                          |
| Total length TL          | 58 mm - 71 mm                  |
| Type of cable anchorage  | A                              |
| Install. torques fitting | 20 N m                         |
| Install. torques cap nut | 20 N m                         |
| Impact category          | 4                              |
| Equipment                | Incl. connection thread gasket |
| Product Color            | RAL 9005                       |
| Type                     | ESKV-L 40 LT                   |
| Order no. RAL 9005       | 10061950                       |
| Packing unit             | 10                             |
| ETIM-Classification      | EC000441                       |

Recommended accessories

|                  |          |
|------------------|----------|
| <b>RDE 40 LT</b> | 10063960 |
| <b>BS 28</b>     | 10064016 |

24.06.2018

