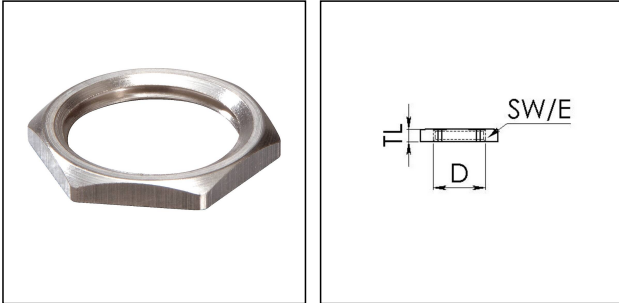


## MMU 21

Locknut, brass nickel-plated, Pg21



Products may differ in size, colour and appearance to those shown. If you require further information or customisation, please contact us directly.



|                                |                     |
|--------------------------------|---------------------|
| <b>Material</b>                | Brass nickel-plated |
| <b>Surface</b>                 | Nickel-plated       |
| <b>Temp. range min</b>         | -200 °C             |
| <b>Temp. range max</b>         | 250 °C              |
| <b>Thread type</b>             | PG                  |
| <b>Ø Connection thread D</b>   | 21                  |
| <b>Key width SW</b>            | 32 mm               |
| <b>Collar diameter (E)</b>     | 36 mm               |
| <b>Total length TL</b>         | 3,5 mm              |
| <b>Order no. nickel-plated</b> | 10062146            |
| <b>Type</b>                    | MMU 21              |
| <b>Packing unit</b>            | 100                 |
| <b>EAN number</b>              | 4007685621465       |
| <b>Tariff number</b>           | 74153300            |
| <b>ETIM-Classification</b>     | EC000940            |

23.05.2026

Your Contact:

**WISKA India Pvt. Ltd.**

Mr. Omkar Ashar · Unit No.247/248,Raheja Tesla Industrial District II , Edison Bldg No.-1A,  
Plot No.GEN2/1/C/PART, TTC Industrial Area, MIDC, Juinagar, Navi Mumbai 400705, India

☎ +91-22-4967-1438 · ☎ +91-22-4967-1439 · o.ashar@wiska.in · www.wiska.in



Your Contact:

**WISKA India Pvt. Ltd.**

Mr. Omkar Ashar · Unit No.247/248,Raheja Tesla Industrial District II , Edison Bldg No.-1A,  
Plot No.GEN2/1/C/PART, TTC Industrial Area, MIDC, Juinagar, Navi Mumbai 400705, India

☎ +91-22-4967-1438 · ☎ +91-22-4967-1439 · o.ashar@wiska.in · www.wiska.in