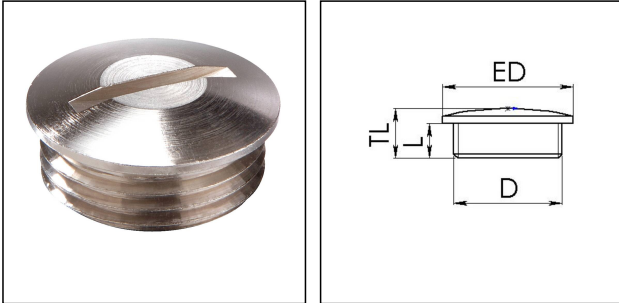


MVS 7

Stop end, brass nickel-plated, Pg7



Products may differ in size, colour and appearance to those shown. If you require further information or customisation, please contact us directly.



Material	Brass nickel-plated
Surface	Nickel-plated
Temp. range min	-200 °C
Temp. range max	250 °C
Protection class	IP54
Thread type	PG
Ø Connection thread D	7
Length screw-in thread L	5 mm
External diameter ED	14 mm
Total length TL	8 mm
Advice	with O-ring IP66/IP68
Order no. nickel-plated	10062151
Type	MVS 7
Packing unit	100
EAN number	4007685621519
Tariff number	74198090
ETIM-Classification	EC000032

Recommended accessories

MMU 7	10062141
ORD-E 12 + PG7	10064697

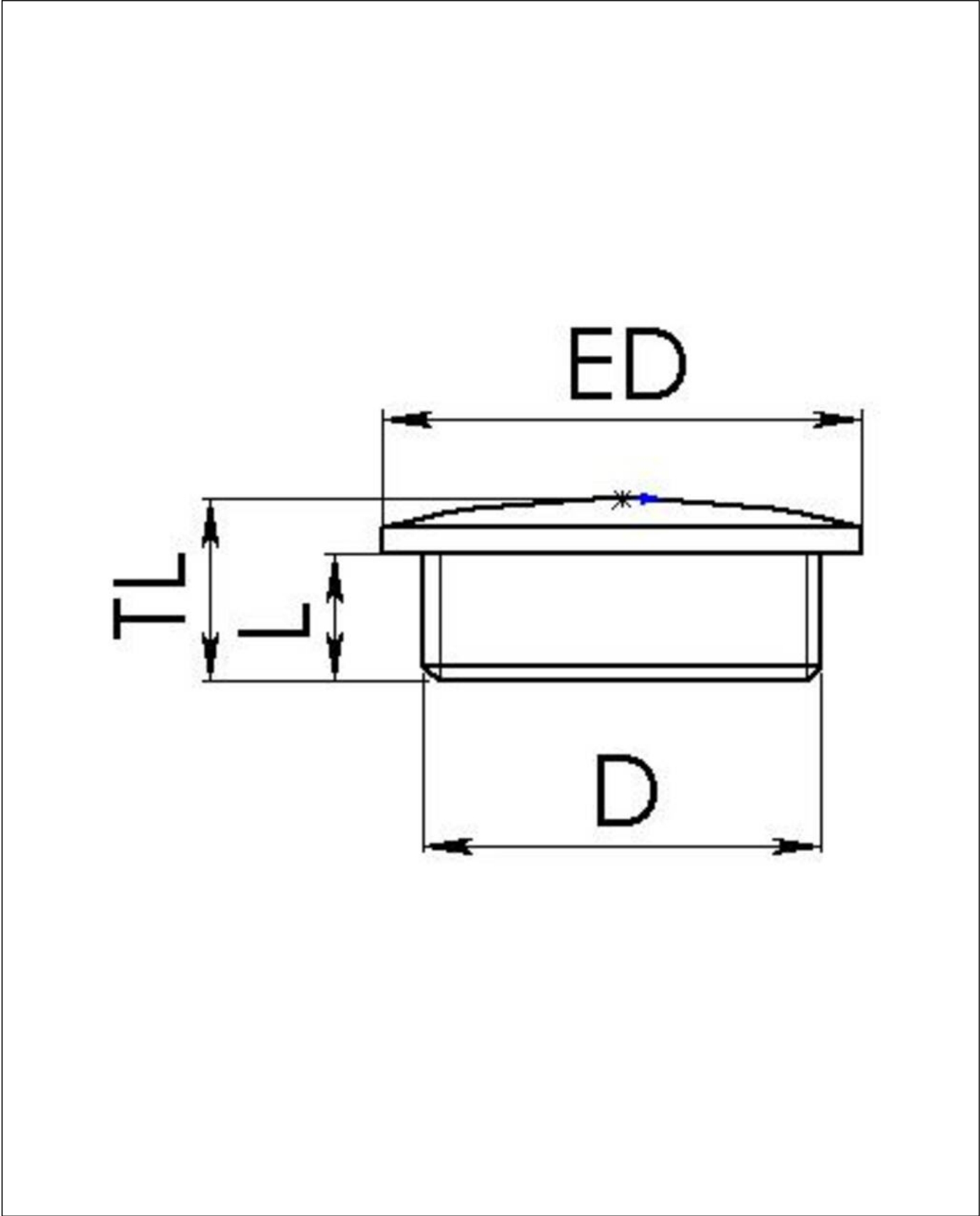
23.05.2026

Your Contact:

WISKA India Pvt. Ltd.

Mr. Omkar Ashar · Unit No.247/248,Raheja Tesla Industrial District II , Edison Bldg No.-1A,
Plot No.GEN2/1/C/PART, TTC Industrial Area, MIDC, Juinagar, Navi Mumbai 400705, India

☎ +91-22-4967-1438 · ☎ +91-22-4967-1439 · o.ashar@wiska.in · www.wiska.in



Your Contact:

WISKA India Pvt. Ltd.

Mr. Omkar Ashar · Unit No.247/248,Raheja Tesla Industrial District II , Edison Bldg No.-1A,
Plot No.GEN2/1/C/PART, TTC Industrial Area, MIDC, Juinagar, Navi Mumbai 400705, India

☎ +91-22-4967-1438 · ☎ +91-22-4967-1439 · o.ashar@wiska.in · www.wiska.in